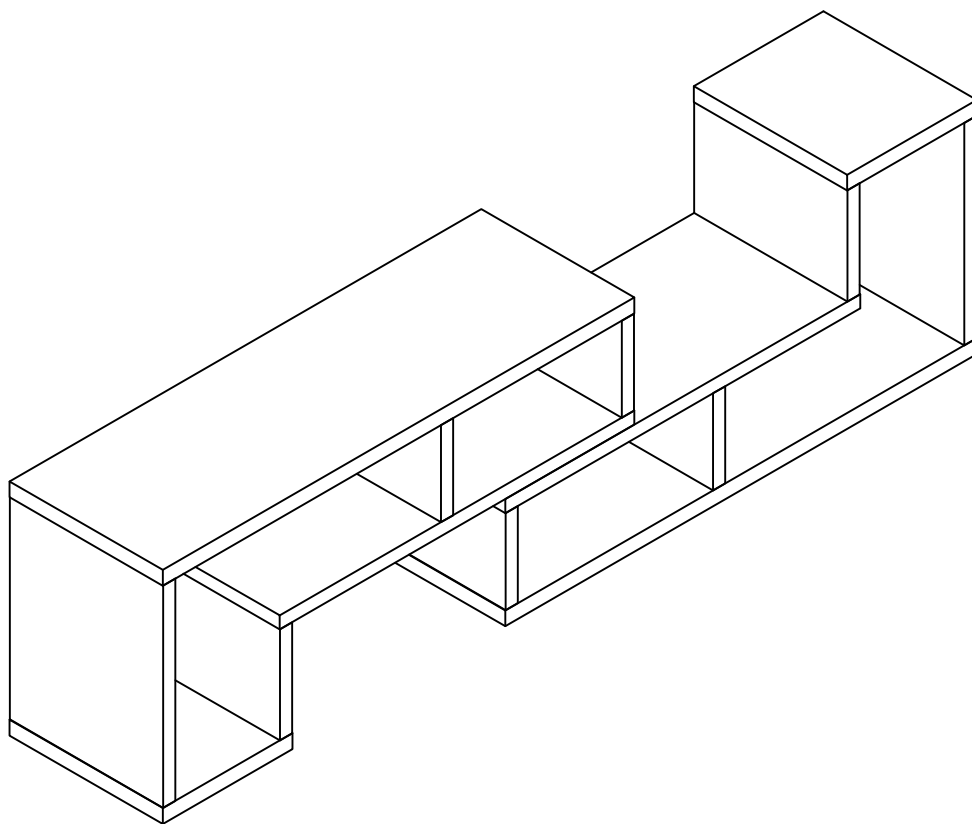


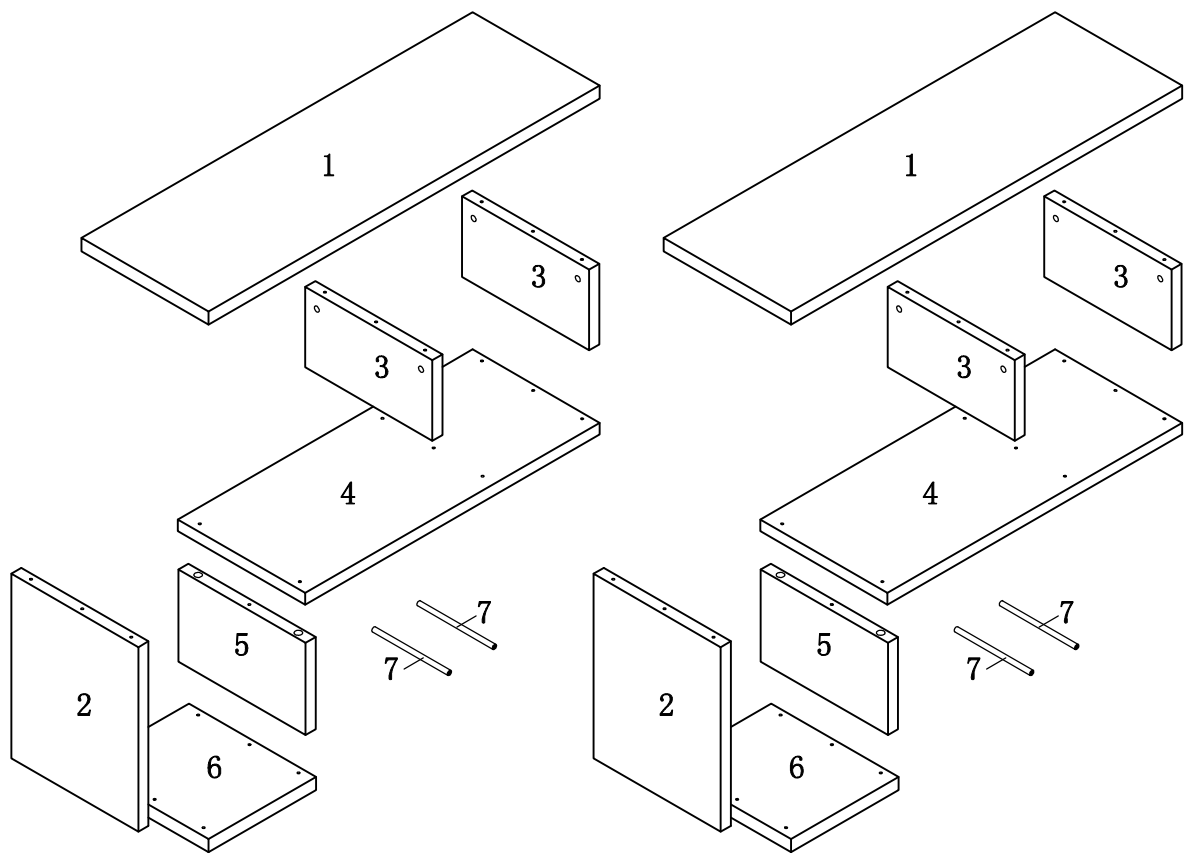
ASSEMBLY INSTRUCTION

ITEM#: 10367-X2



PARTS IDENTIFICATION

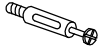


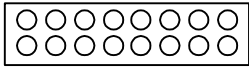

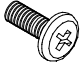
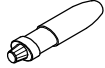
ITEM#: 10367-X2



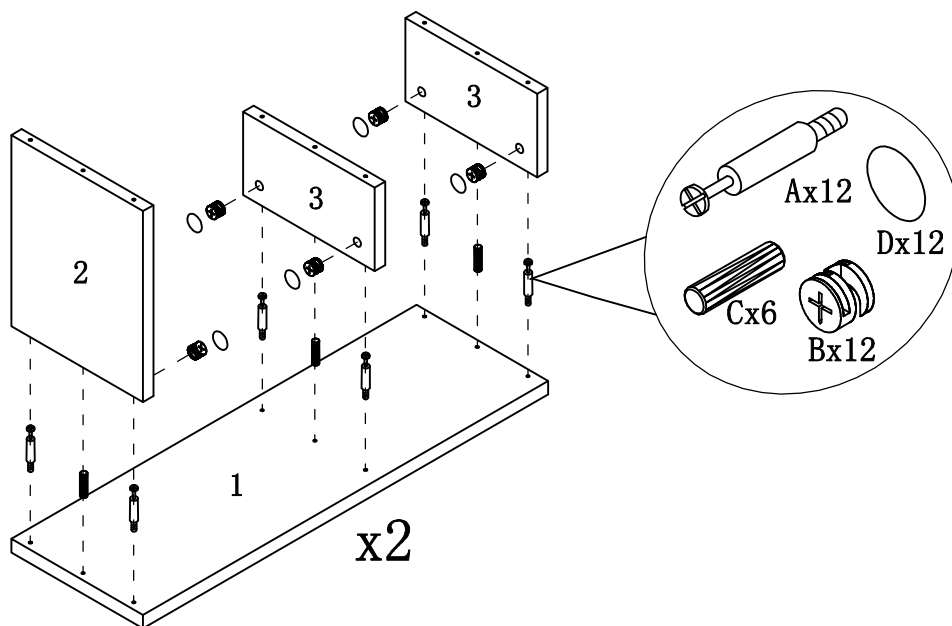
(1)	2pcs	(4)	2pcs	(7)	4pcs
(2)	2pcs	(5)	2pcs		
(3)	4pcs	(6)	2pcs		

HARDWARE IDENTIFICATION

ITEM#: 10367-X2

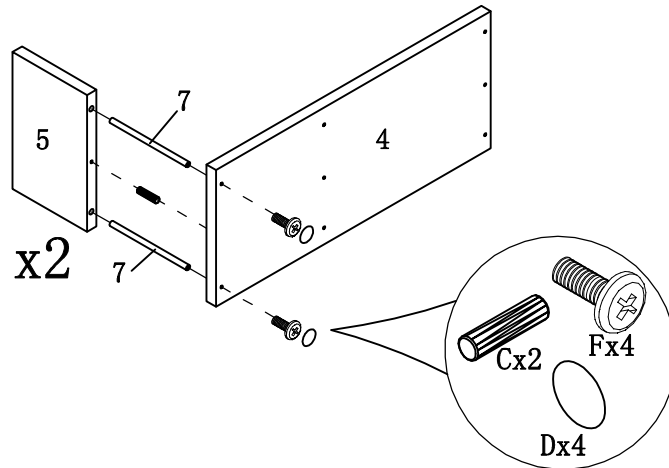
A		L29	12pcs
B		ø15	12pcs
C		ø8x25	16pcs
D		ø18	32pcs
E		ø7x58	12pcs
F		M6x30	8pcs
G		Glue: For securing please apply to wood dowel first before inserting into panel	1pc

STEP 1



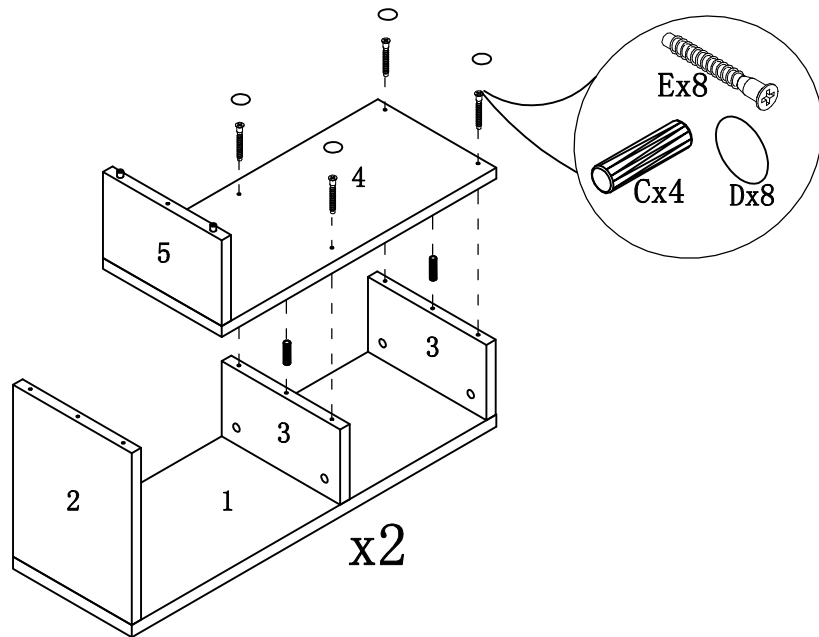
ASSEMBLY INSTRUCTION

ITEM#: 10367-X2



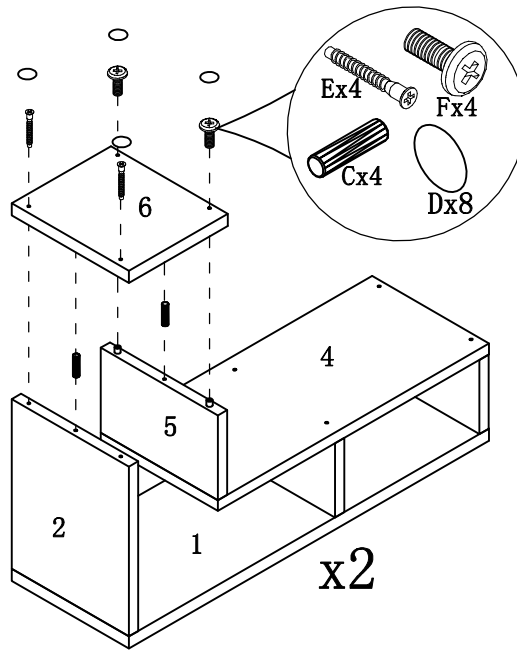
STEP2

STEP3



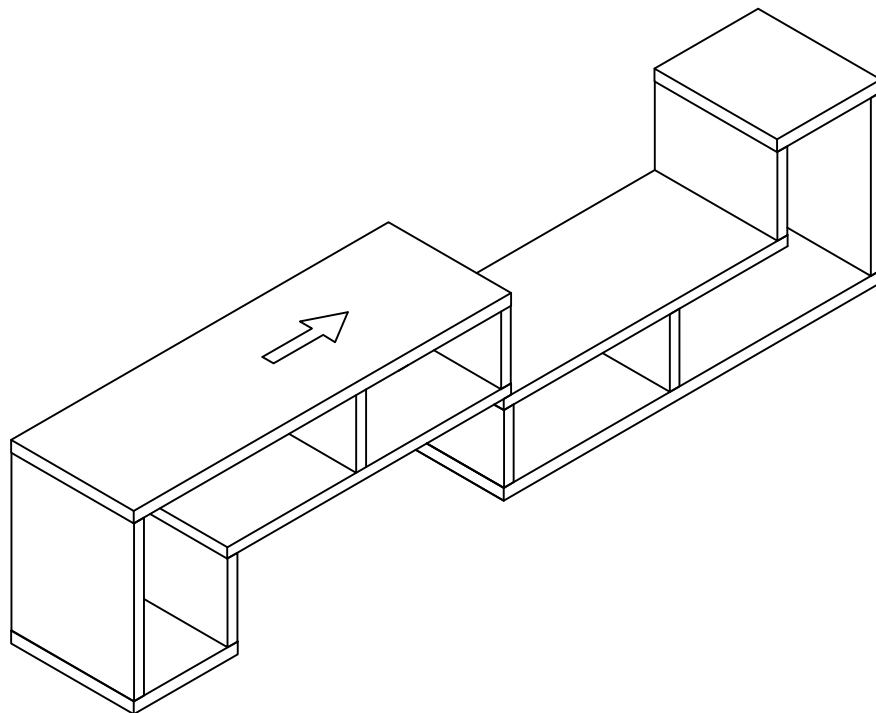
ASSEMBLY INSTRUCTION

ITEM#: 10367-X2



STEP4

STEP5



PAGE: 5 OF 5