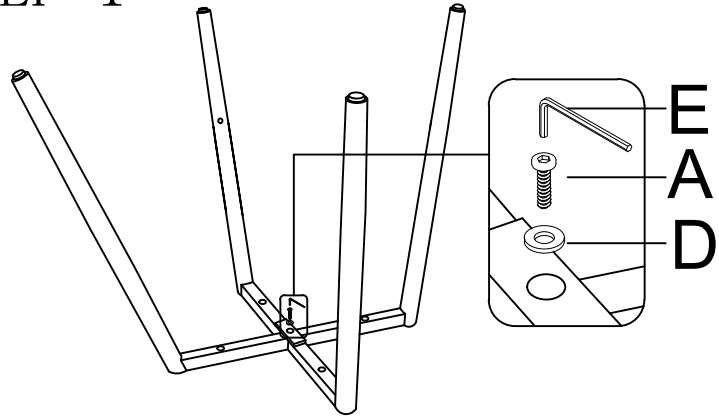
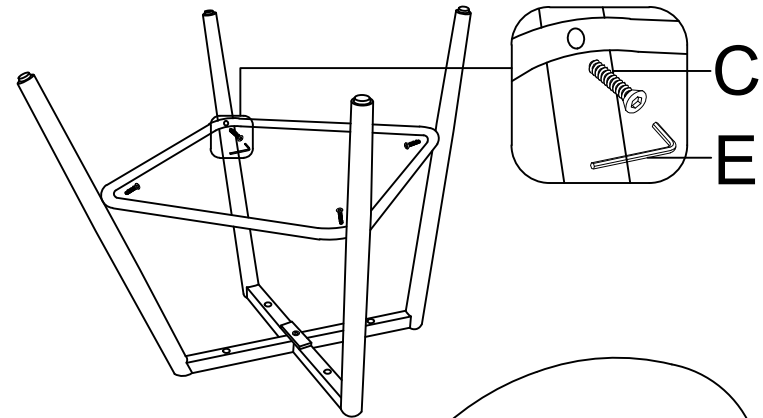


ASSEMBLY INSTRUCTION

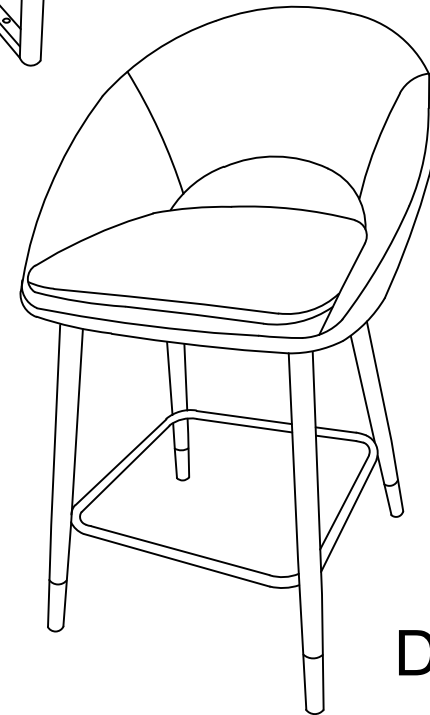
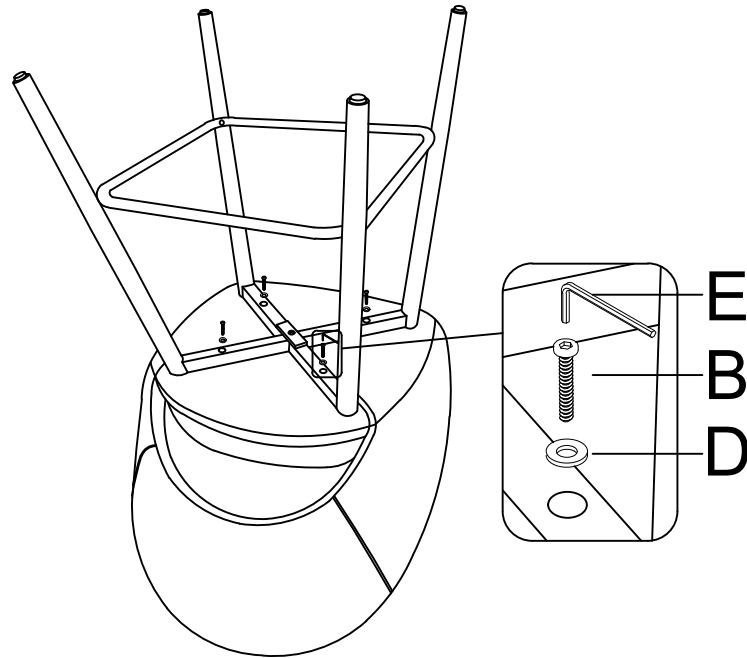
STEP 1



STEP 2



STEP 3



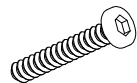
DX-2449

A



1pc

B



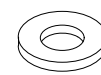
4pcs

C



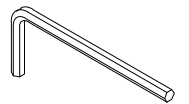
4pcs

D



5pcs

E



1pc