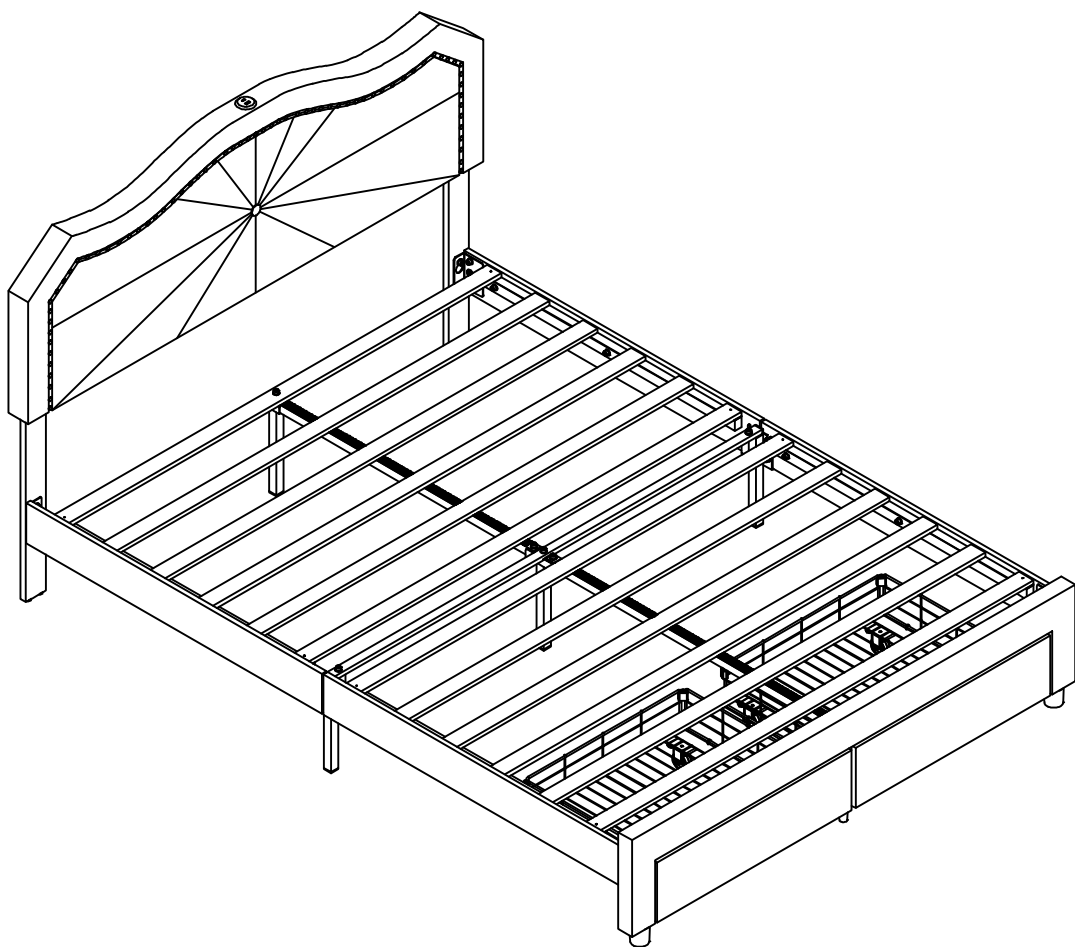
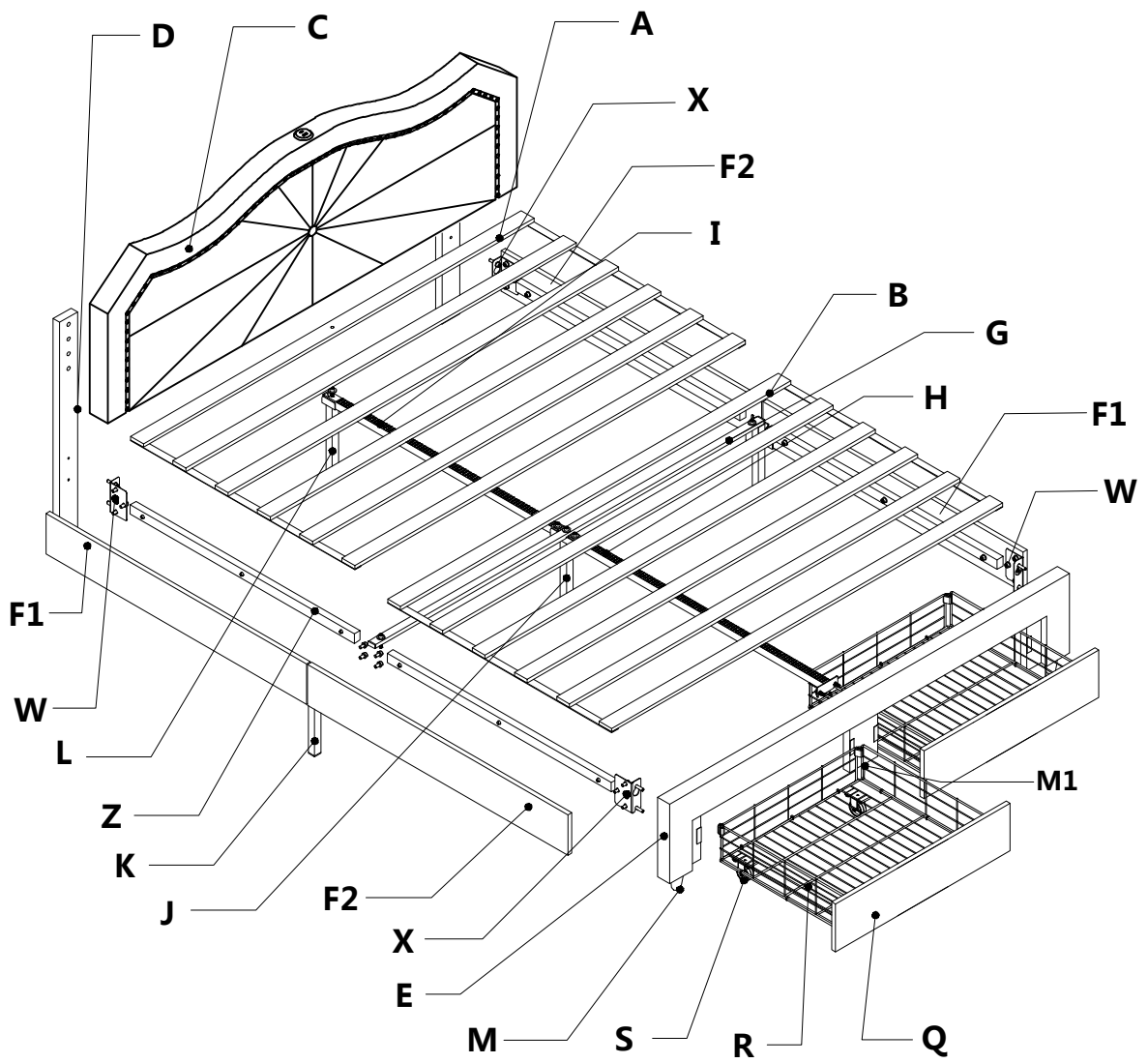


# ASSEMBLY INSTRUCTION INSTRUCTIONS D'ASSEMBLAGE

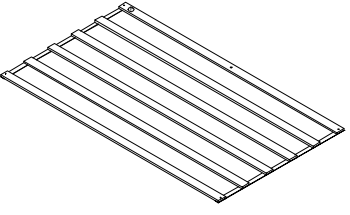
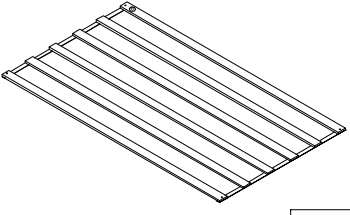
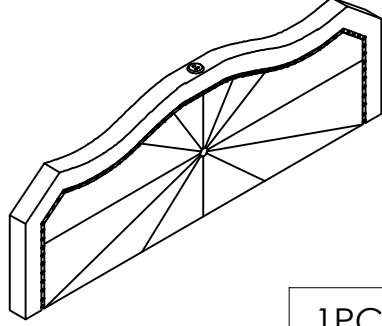
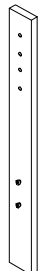
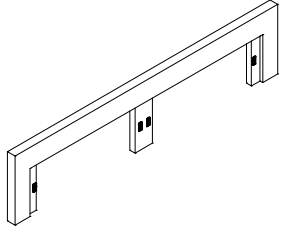
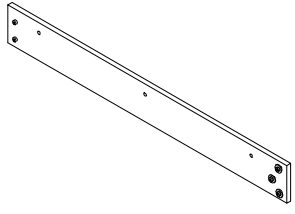
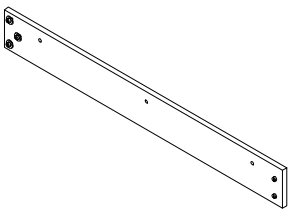
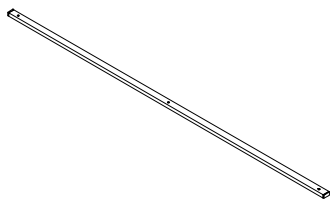
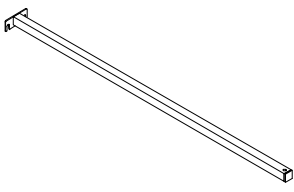
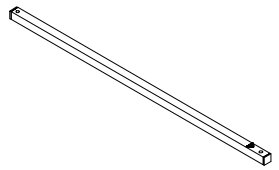
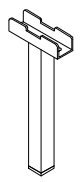
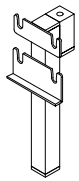
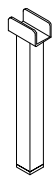

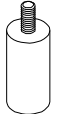


22183 FULL PLATFORM BED / LIT PLATEFORME COMPLET

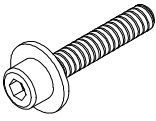
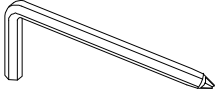
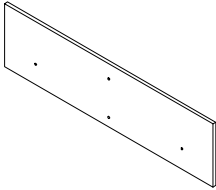


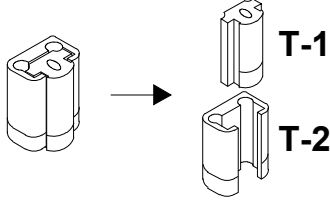

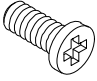
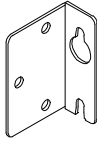
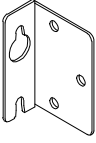
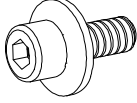
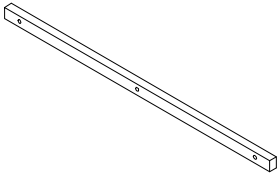
22184 QUEEN PLATFORM BED / LIT PLATEFORME QUEEN



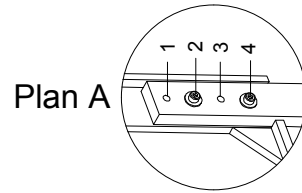
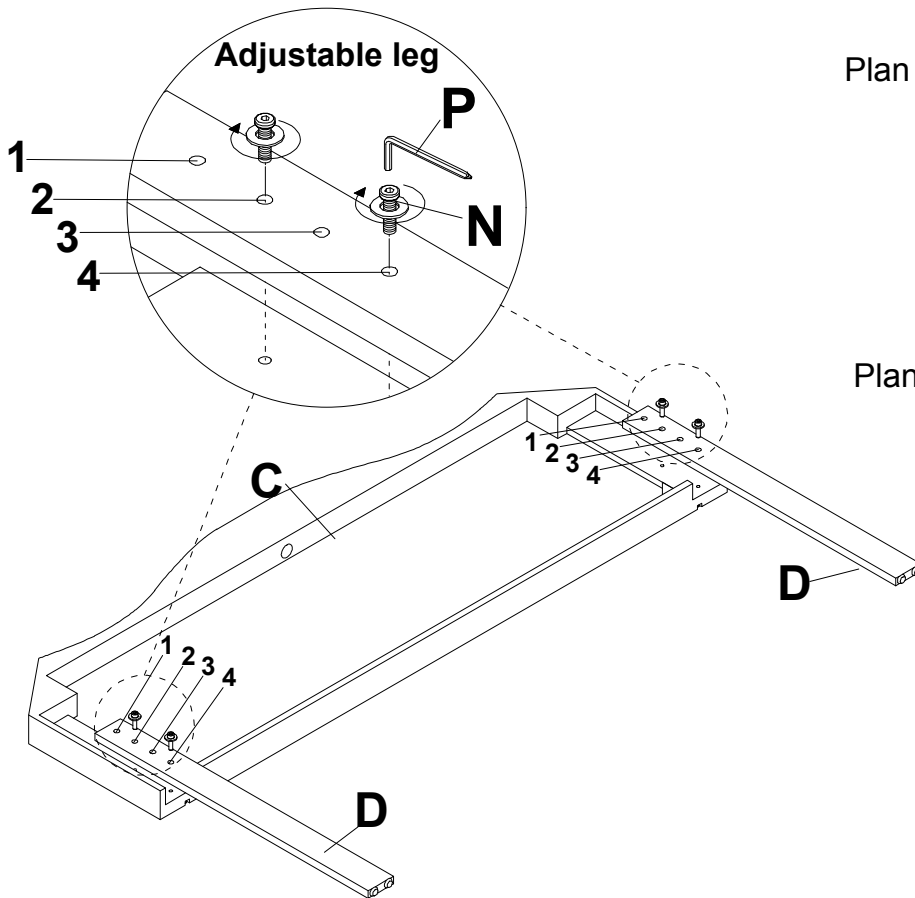
# Parts List(EN) / Teile Liste(DE)

<p><b>A Front Slat</b></p>  <p>1PC</p>	<p><b>B Back Slat</b></p>  <p>1PC</p>	<p><b>C Headboard</b></p>  <p>1PC</p>
<p><b>D Headboard side leg</b></p>  <p>2PCS</p>	<p><b>E Footboard</b></p>  <p>1PC</p>	<p><b>F1 Left siderails</b></p>  <p>2PCS</p>
<p><b>F2 Right siderails</b></p>  <p>2PCS</p>	<p><b>G Middle cross beam</b></p>  <p>1PCS</p>	<p><b>H Back Middle cross beam</b></p>  <p>1PC</p>
<p><b>I Front Middle cross beam</b></p>  <p>1PC</p>	<p><b>J Middle leg</b></p>  <p>1PC</p>	<p><b>K Edge of the foot</b></p>  <p>2PCS</p>
<p><b>L Front Leg</b></p>  <p>1PC</p>	<p><b>M Bed leg</b></p>  <p>2PCS</p>	<p><b>M1 Bed leg</b></p>  <p>1PC</p>

# Parts List(EN) / Teile Liste(DE)

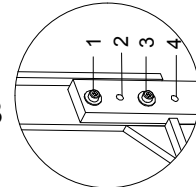
<p><b>N</b> Innerscrew</p>  <p>M8×45mm</p> <p>10+1PCS</p>	<p><b>P</b> Inner allen wrench</p>  <p>1PC</p>	<p><b>Q</b> Drawer panel</p>  <p>2PCS</p>
<p><b>R</b> Drawer</p>  <p>2PCS</p>	<p><b>S</b> Drawer wheel</p>  <p>8PCS</p>	<p><b>T</b> Drawer connector</p>  <p>T-1 T-2</p> <p>4PCS</p>
<p><b>U</b> Screw</p>  <p>M6×6mm</p> <p>8+1PCS</p>	<p><b>V</b> Screw</p>  <p>M6×15mm</p> <p>6PCS</p>	<p><b>W</b> Left Bracket</p>  <p>2PCS</p>
<p><b>X</b> Right Bracket</p>  <p>2PCS</p>	<p><b>Y</b> Innerscrew</p>  <p>M8×40mm</p> <p>12PCS</p>	<p><b>Z</b> Support Wood</p>  <p>4PCS</p>

# STEP 1 / ÉTAPE 1





Plan A

Fits a 10 inch thick mattress when attach screws to Hole 2 & Hole 4.

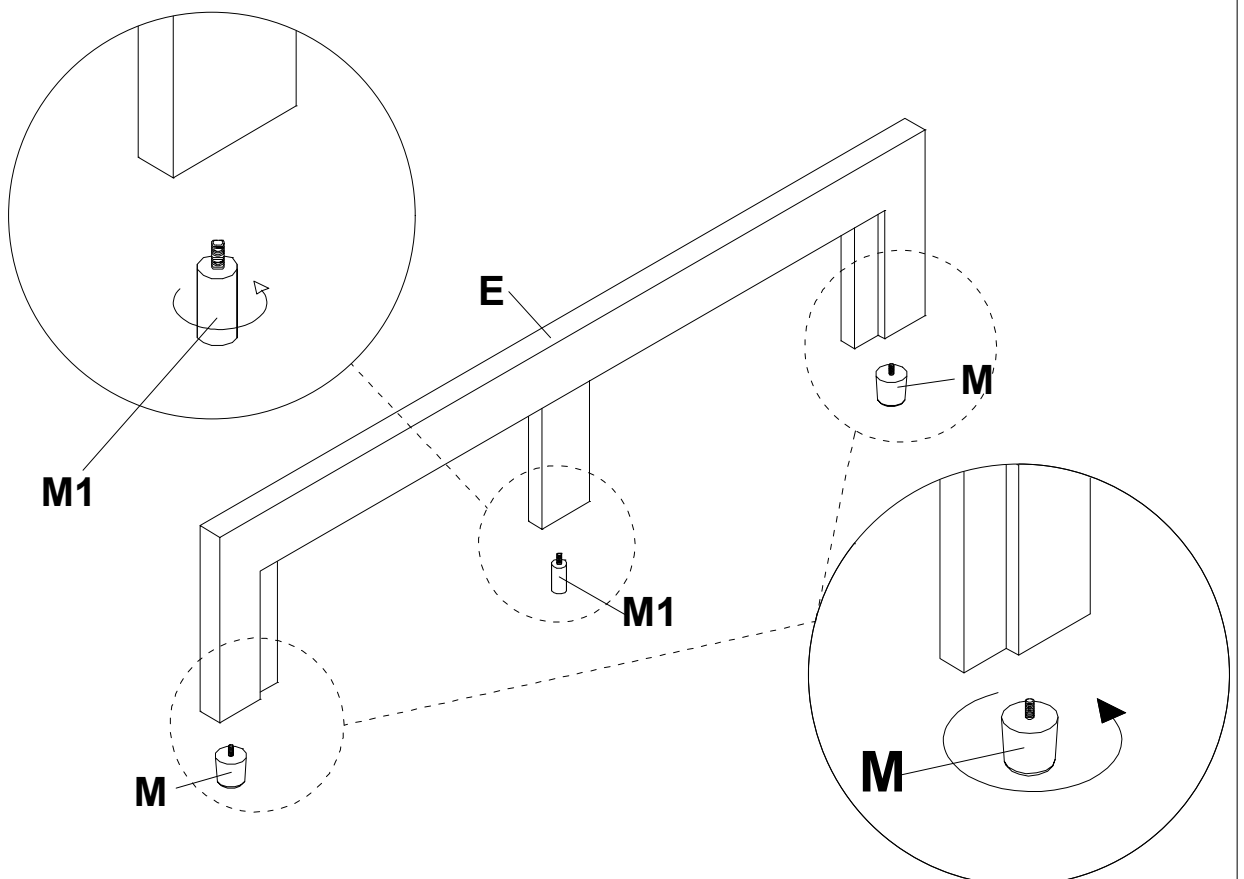


Plan B

Fits a 12 inch thick mattress when attach screws to Hole 1 & Hole 3.

	N x 4pcs
	P x 1pc

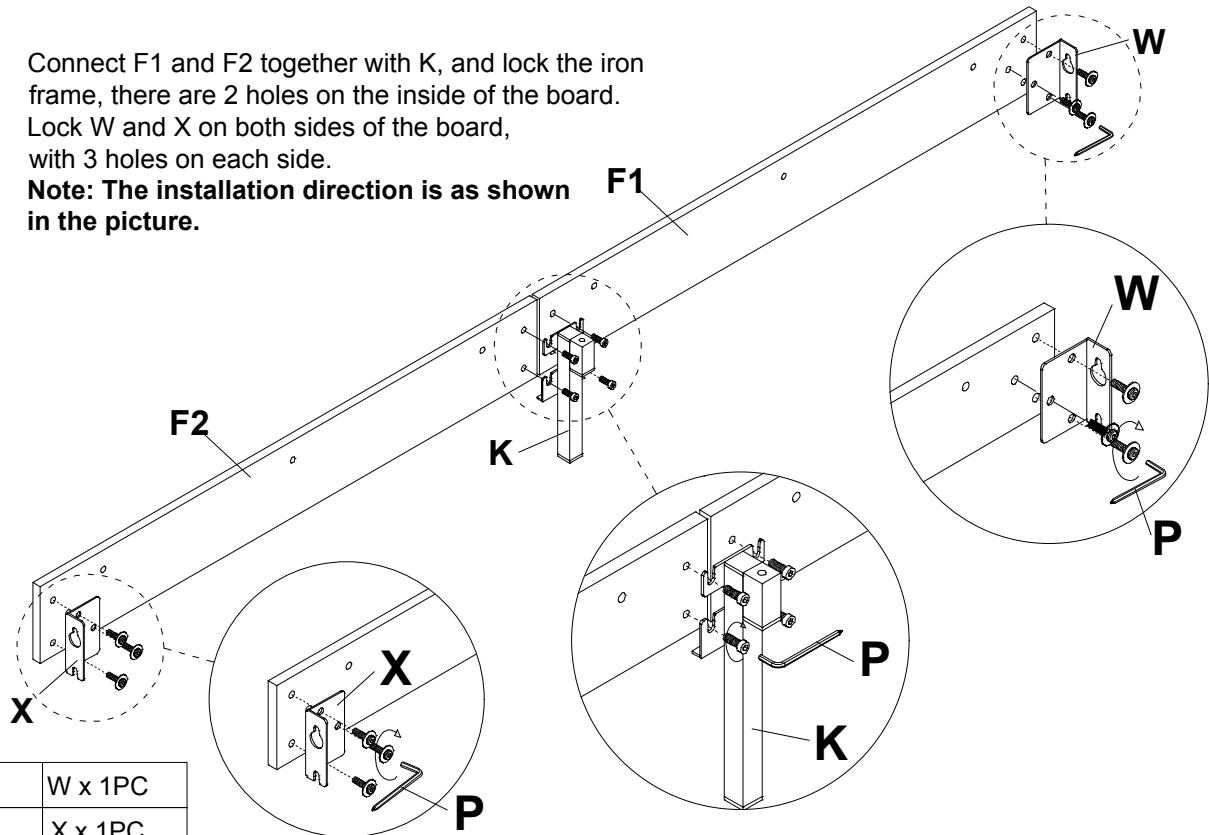
# STEP 2 / ÉTAPE 2



## STEP 3 / ÉTAPE 3

Connect F1 and F2 together with K, and lock the iron frame, there are 2 holes on the inside of the board.  
Lock W and X on both sides of the board, with 3 holes on each side.

**Note: The installation direction is as shown in the picture.**

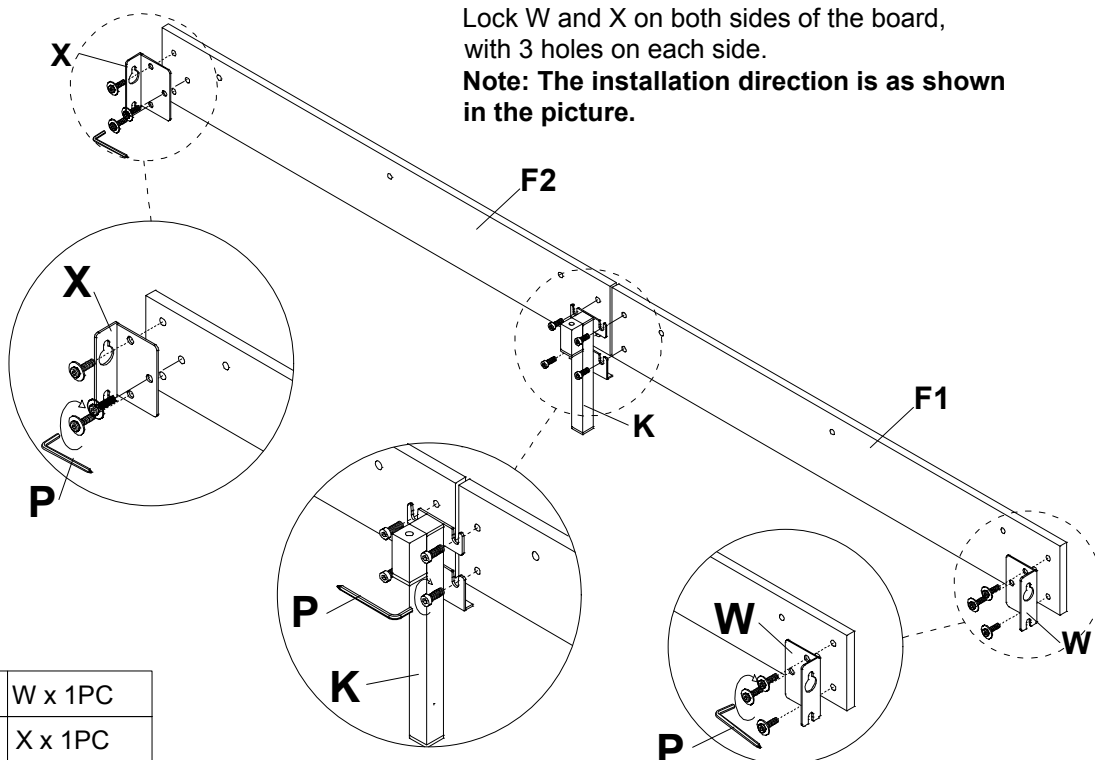


	W x 1PC
	X x 1PC
	P x 1PC

## STEP 4 / ÉTAPE 4

Connect F1 and F2 together with K, and lock the iron frame, there are 2 holes on the inside of the board.  
Lock W and X on both sides of the board, with 3 holes on each side.

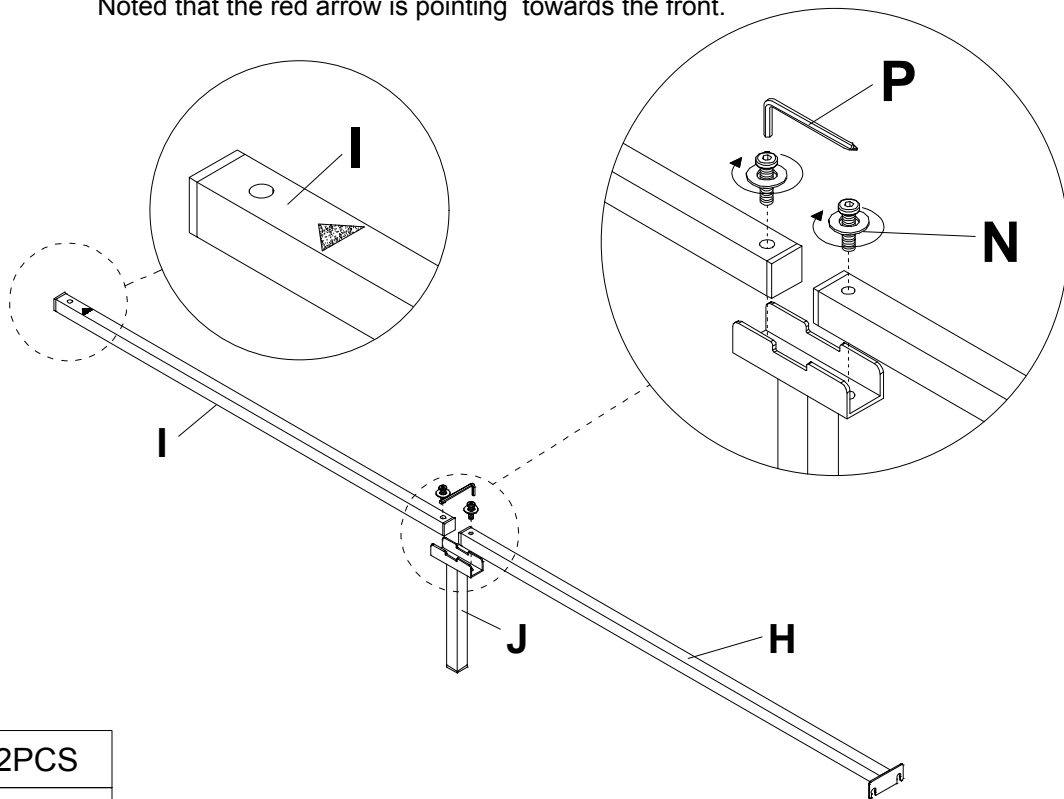
**Note: The installation direction is as shown in the picture.**





	W x 1PC
	X x 1PC
	P x 1PC

## STEP 5 / ÉTAPE 5

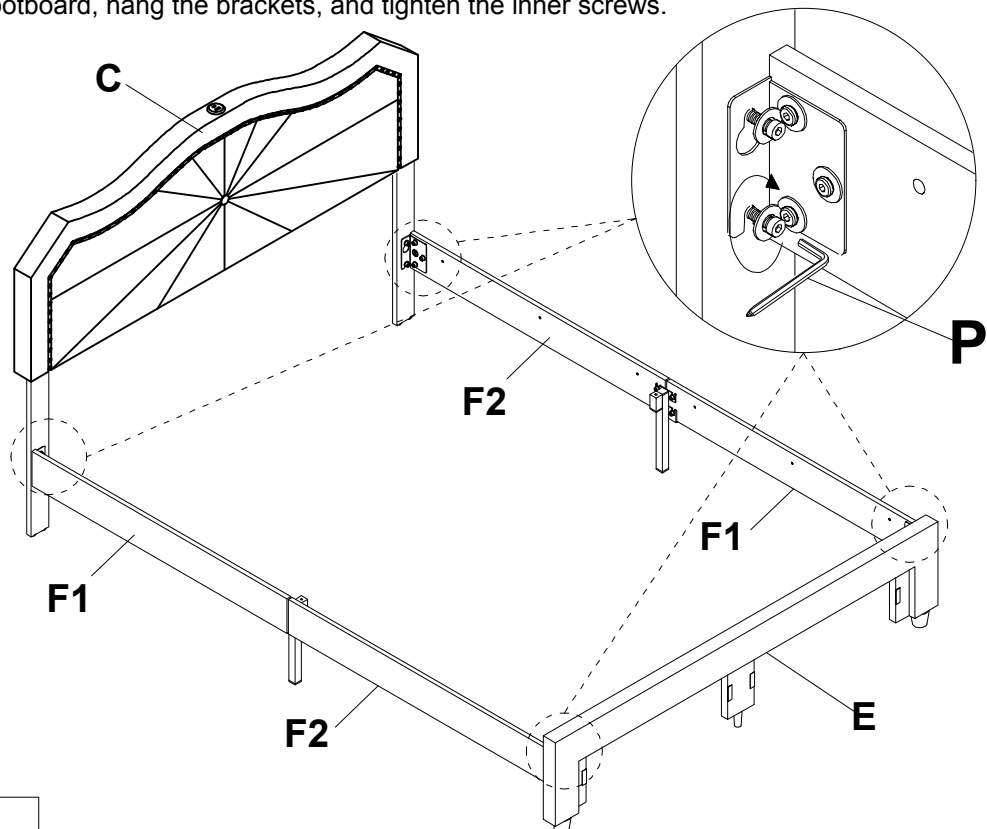
Noted that the red arrow is pointing towards the front.




	N x 2PCS
	P x 1PC

## STEP 6 / ÉTAPE 6

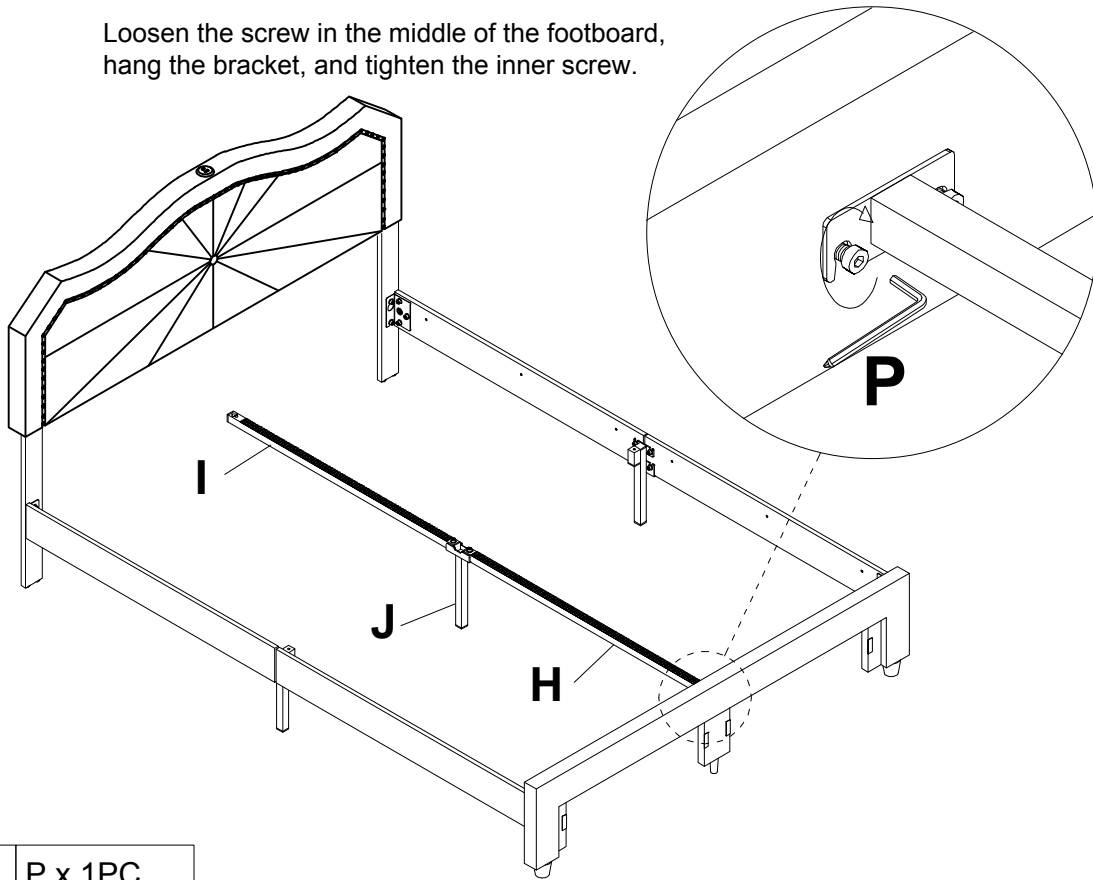
Loosen the screws on the side legs of the headboard and footboard, hang the brackets, and tighten the inner screws.



	P x 1PC
---	---------

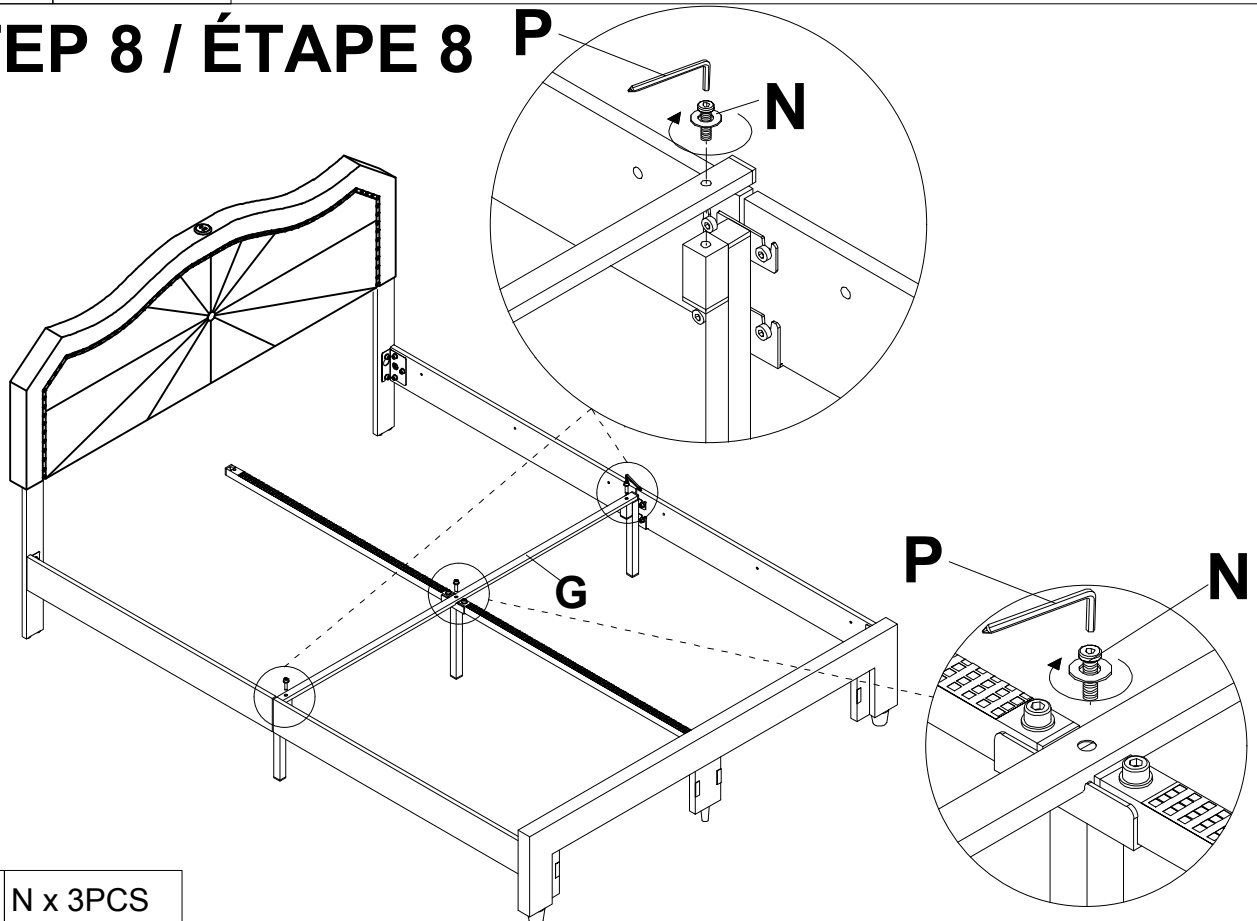
## STEP 7 / ÉTAPE 7

Loosen the screw in the middle of the footboard, hang the bracket, and tighten the inner screw.



P x 1PC

## STEP 8 / ÉTAPE 8



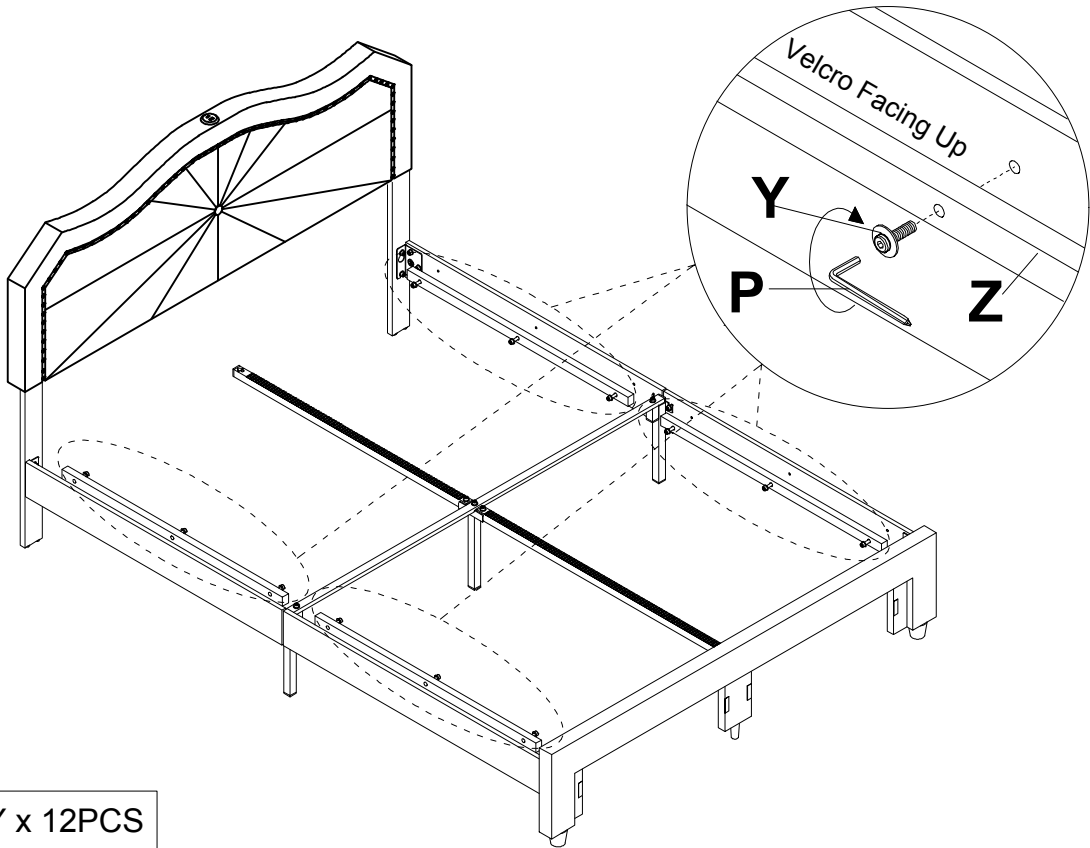
N x 3PCS





P x 1PC

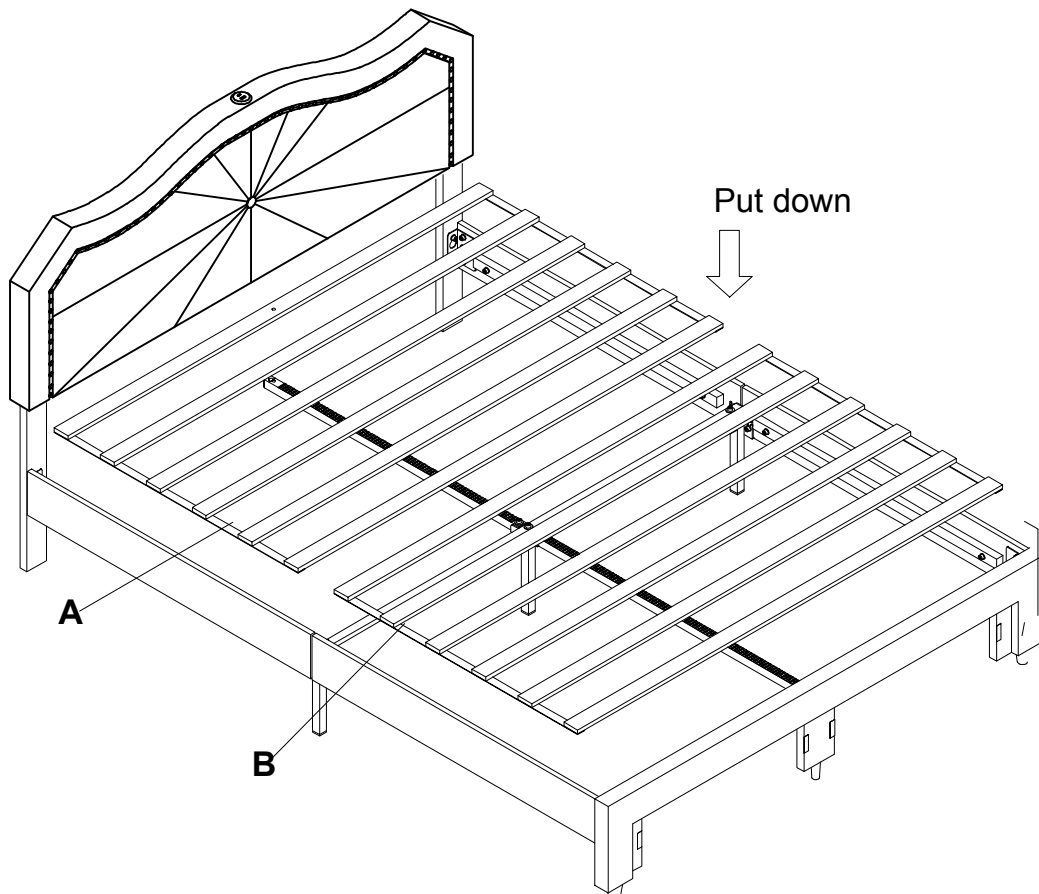


## STEP 9 / ÉTAPE 9

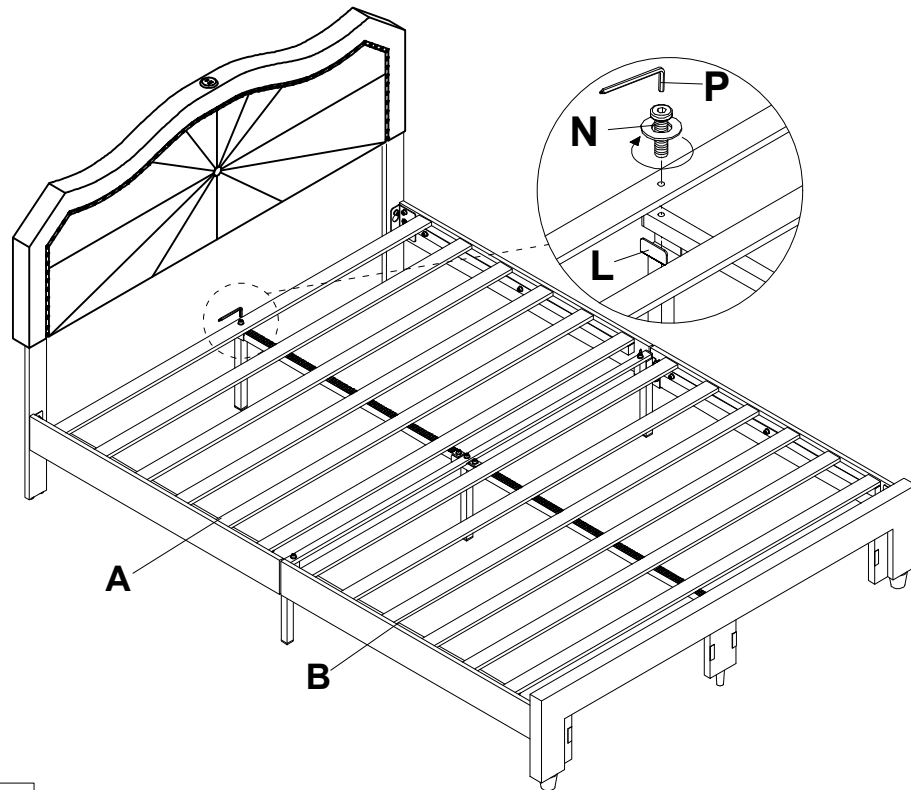




	Y x 12PCS
	P x 1PC

## STEP 10 / ÉTAPE 10

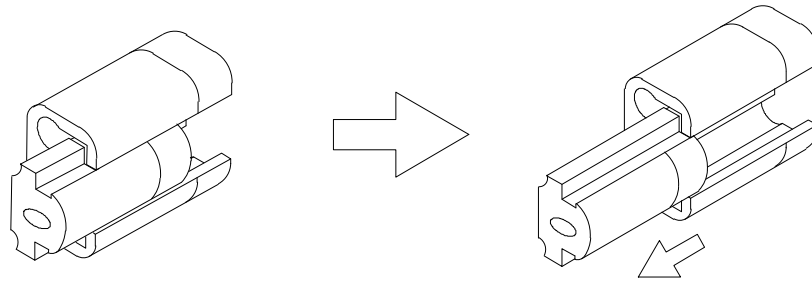


## STEP 11 / ÉTAPE 11

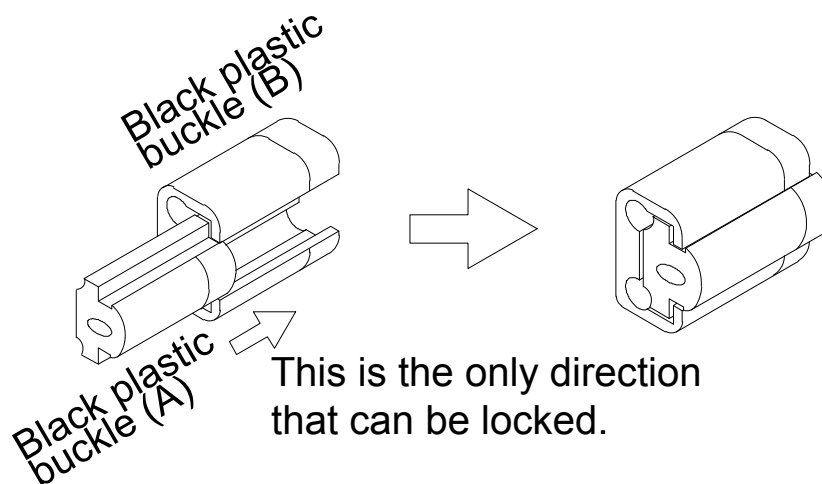


	N x 1PC
	P x 1PC

## STEP 12 / ÉTAPE 12

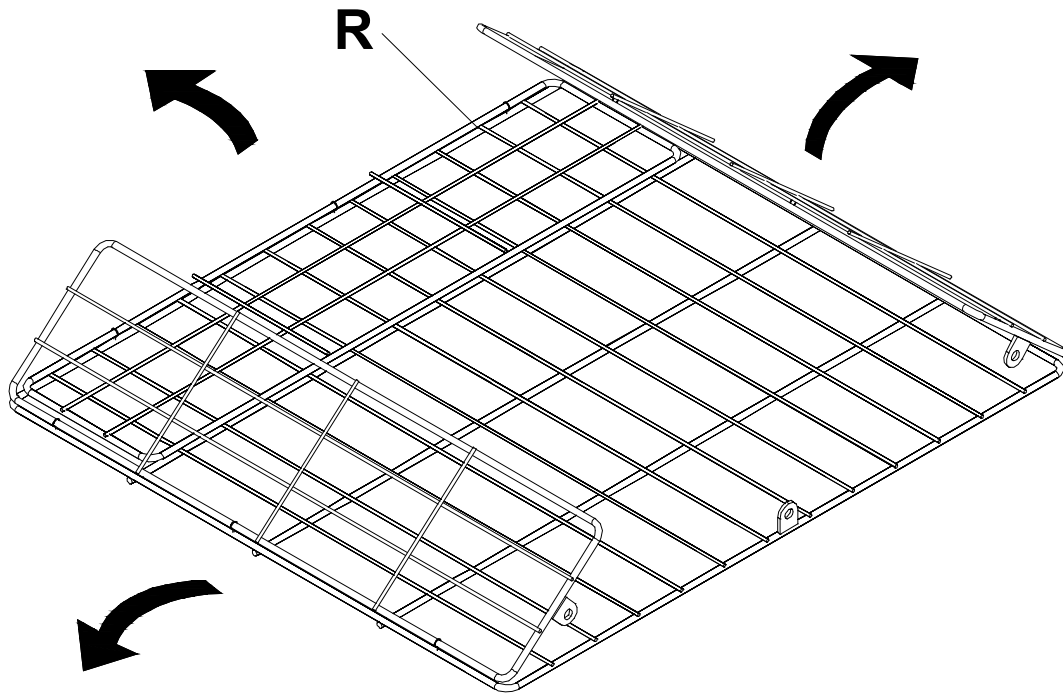


You can pull the buckle out by following the direction indicated by the arrow



# STEP 13 / ÉTAPE 13

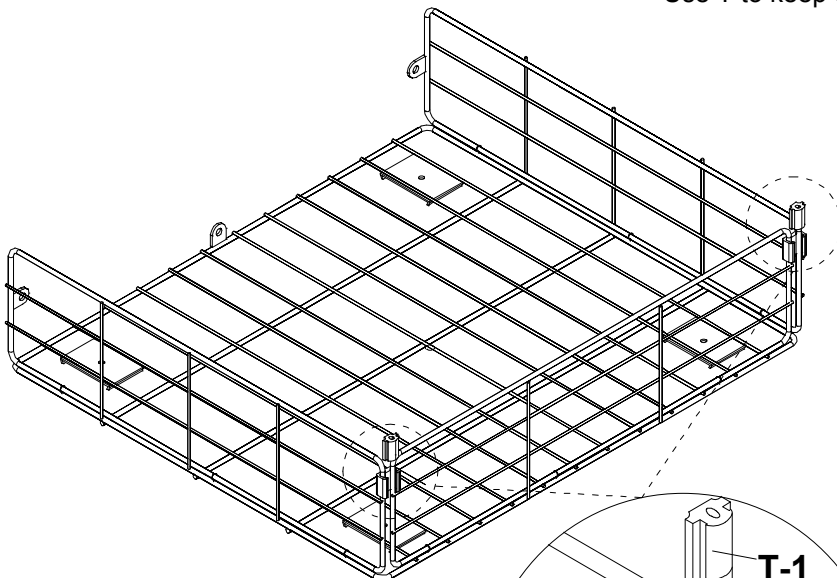
Unfold the drawer sides



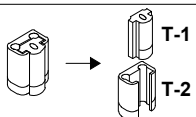
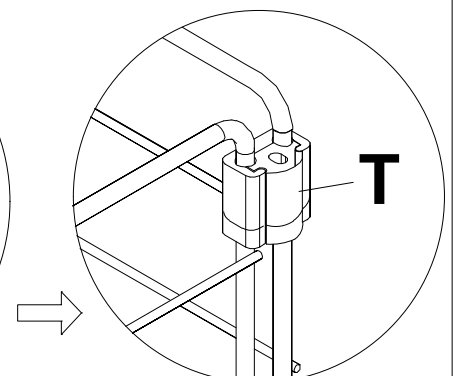
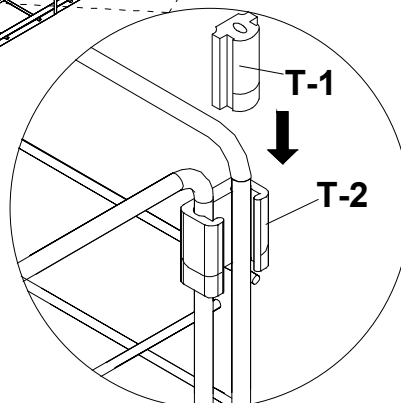
**x2**

# STEP 14 / ÉTAPE 14

Use T to keep drawer sides in place



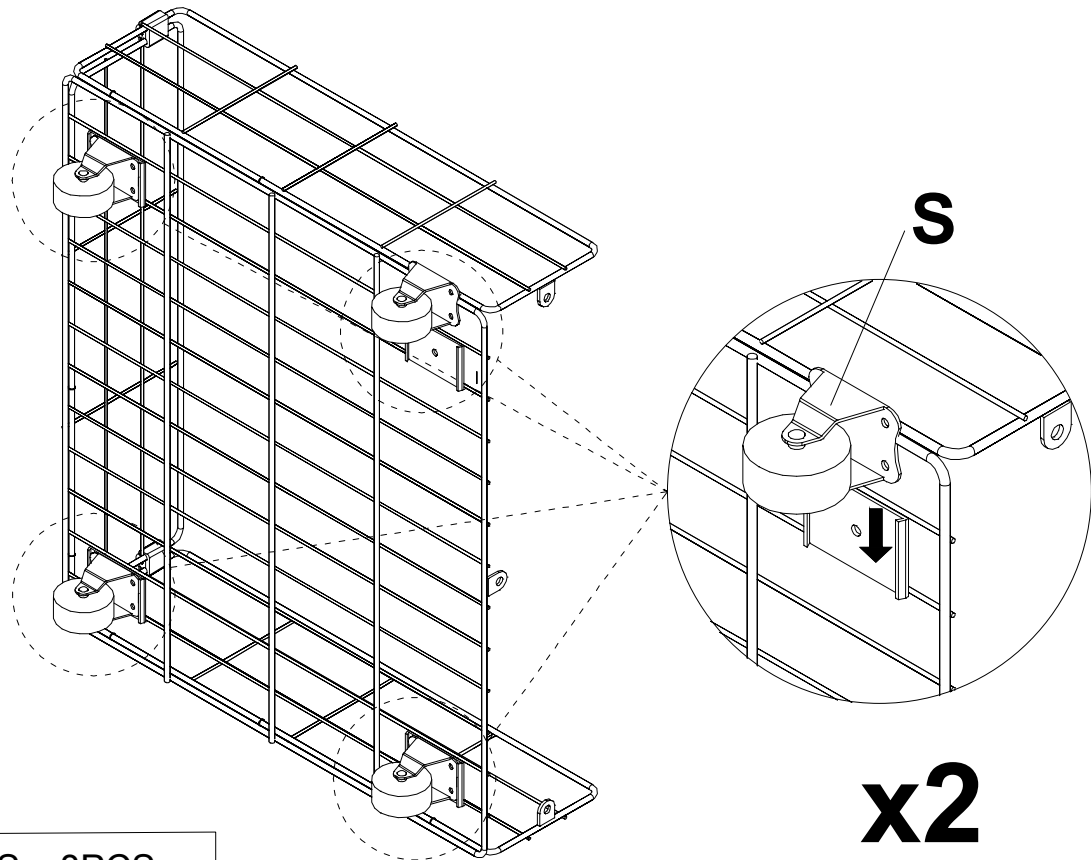
**x2**



T x 4PCS

# STEP 15 / ÉTAPE 15

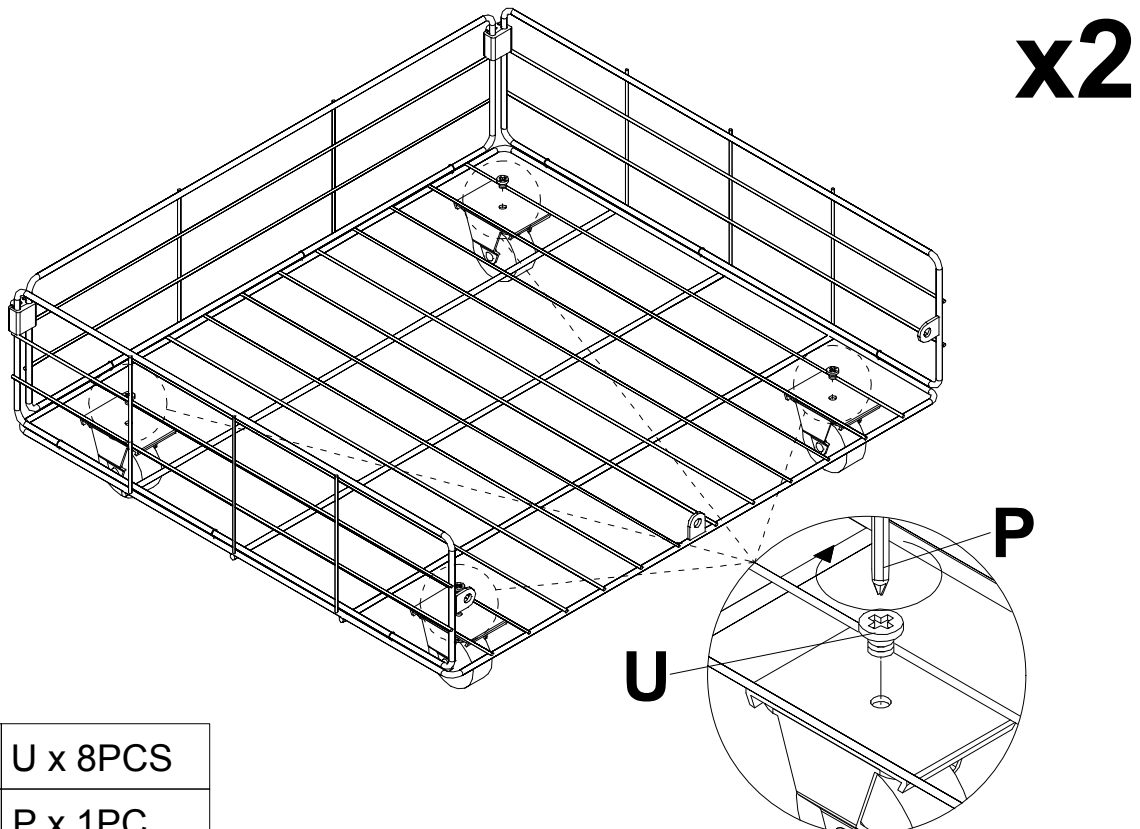
Insert wheels into slot from side



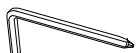
S x 8PCS

# STEP 16 / ÉTAPE 16

Secure the wheels with screws U

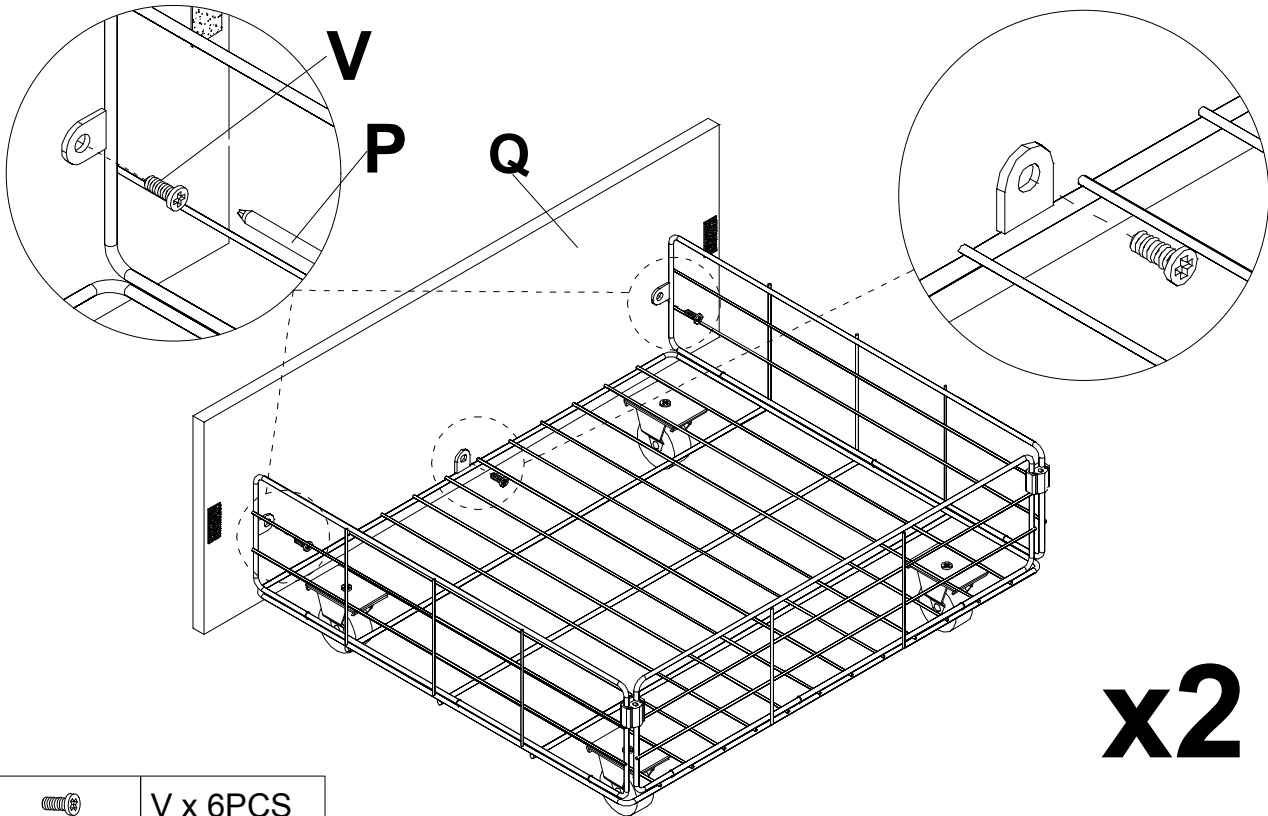




U x 8PCS



P x 1PC

## STEP 17 / ÉTAPE 17



	V x 6PCS
	P x 1PC

## STEP 18 / ÉTAPE 18

