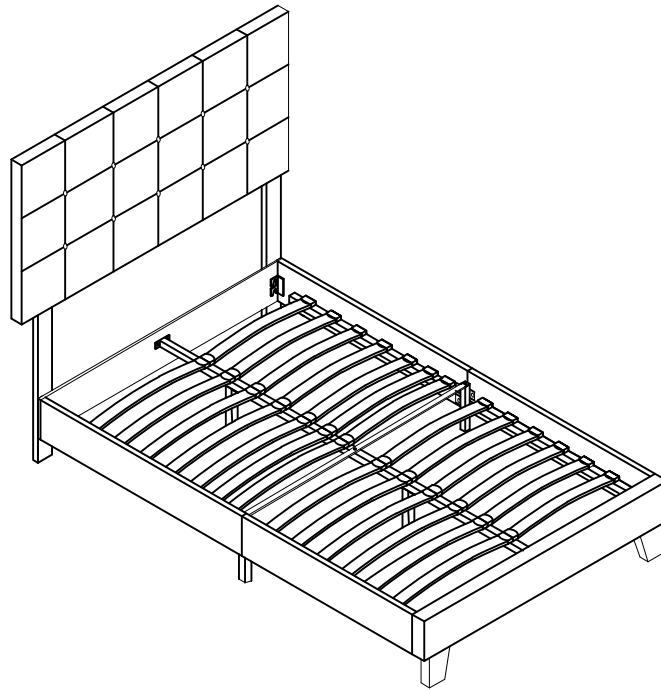
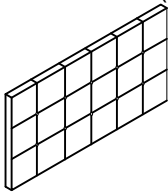
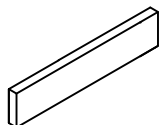
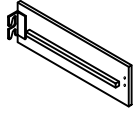
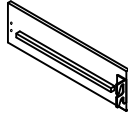
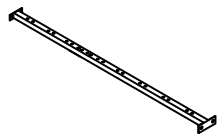
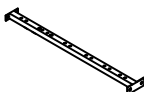
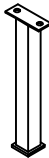

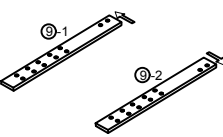
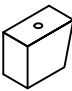
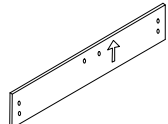













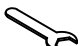

ASSEMBLY INSTRUCTIONS



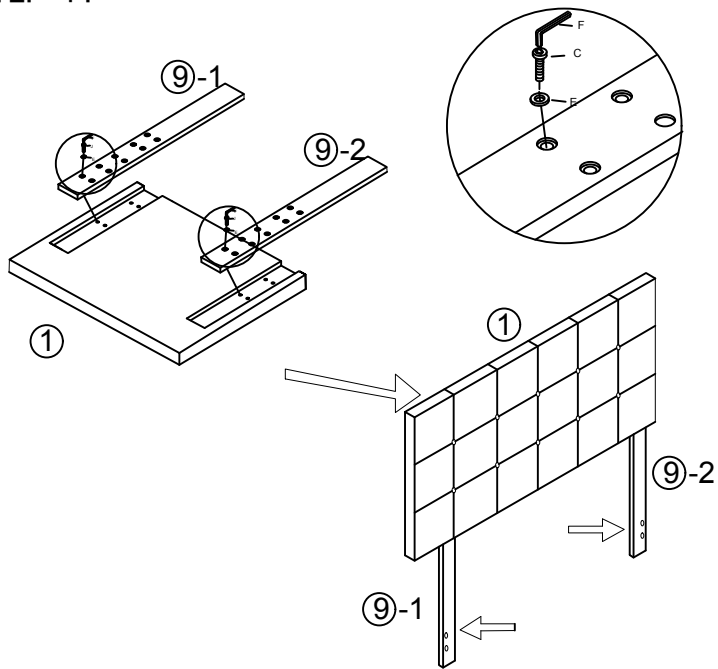
PARTS LIST

- | | | | | |
|--|---|---|--|--|
| ①-Head Board(1pc)
 | ②-Foot Board (1pc)
 | ③-Side Rails (2pcs)
 | ④-Side Rails (2pcs)
 | ⑤-Center Support(1pc) Bar
 |
| ⑥-Support Legs(1pc)
 | ⑦-Support Legs(2pcs)
 | ⑧-Siderails Support legs(2pcs)
 | ⑨-HB Foot (2pcs)
 | ⑩ -Footboard Legs (2pcs)
 |
| ⑪-Support Legs(1pc)
 | ⑫-Slats (24pcs)
 | ⑬-Single Plastic cap (24pcs)
 | ⑭-Double Plastic cap (12pcs)
 | ⑮-Slats (1pc)
 |

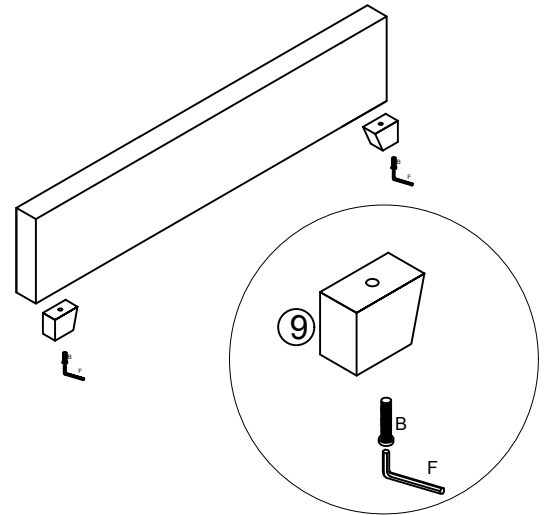
HARDWARE LIST

- | | | | | |
|---|--|---|---|--|
| A Bolt M8*30mm 16pcs
 | B Bolt M8*75mm 2pcs
 | C Bolt M8*50mm 13pcs
 | D Spring Washer 8pcs
 | E Flat Washer ϕ 20 37pcs
 |
| F M8 Allen Key 1pc
 | G Nut M8*13mm 7pcs
 | H Spanner 1pc
 | I Bolt M8*20mm 8pcs
 | |

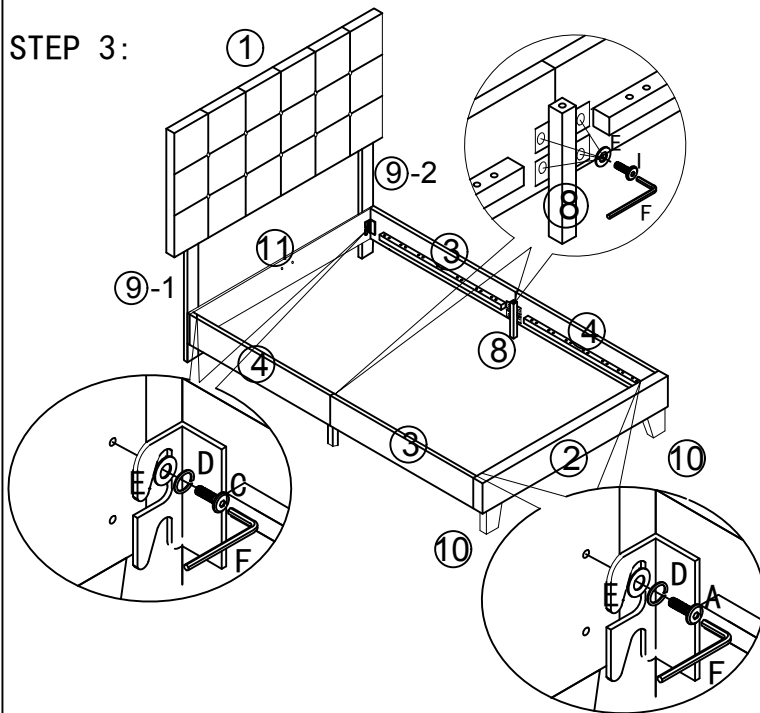
STEP 1:



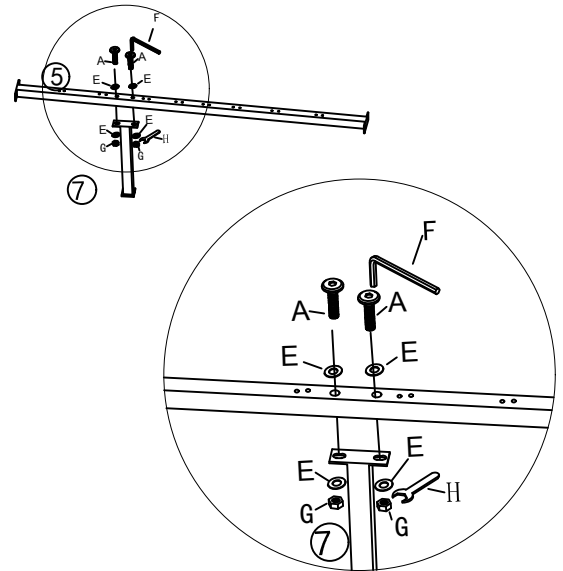
STEP 2:



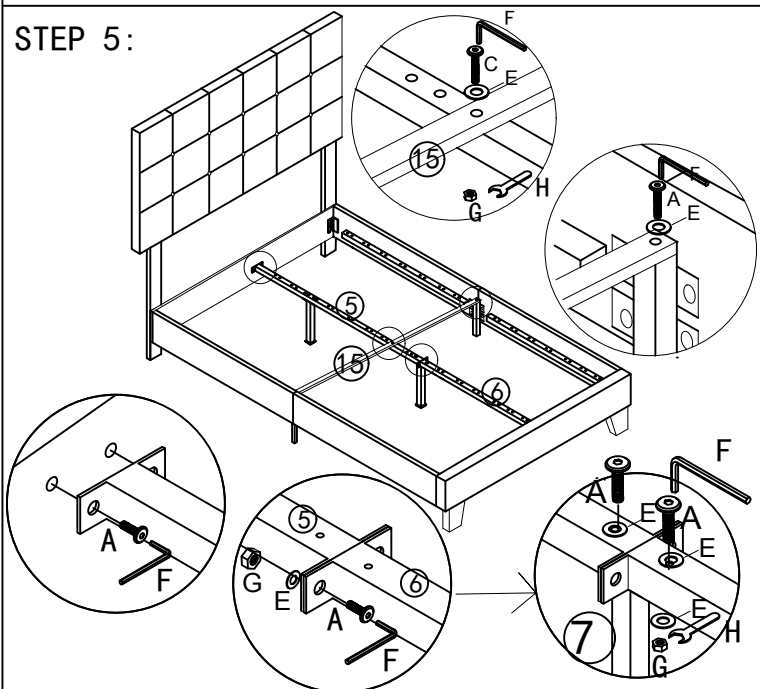
STEP 3:



STEP 4:



STEP 5:



STEP 6:

