



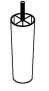




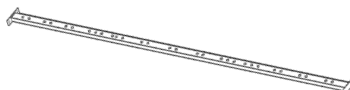



Monaco Assembly Instructions

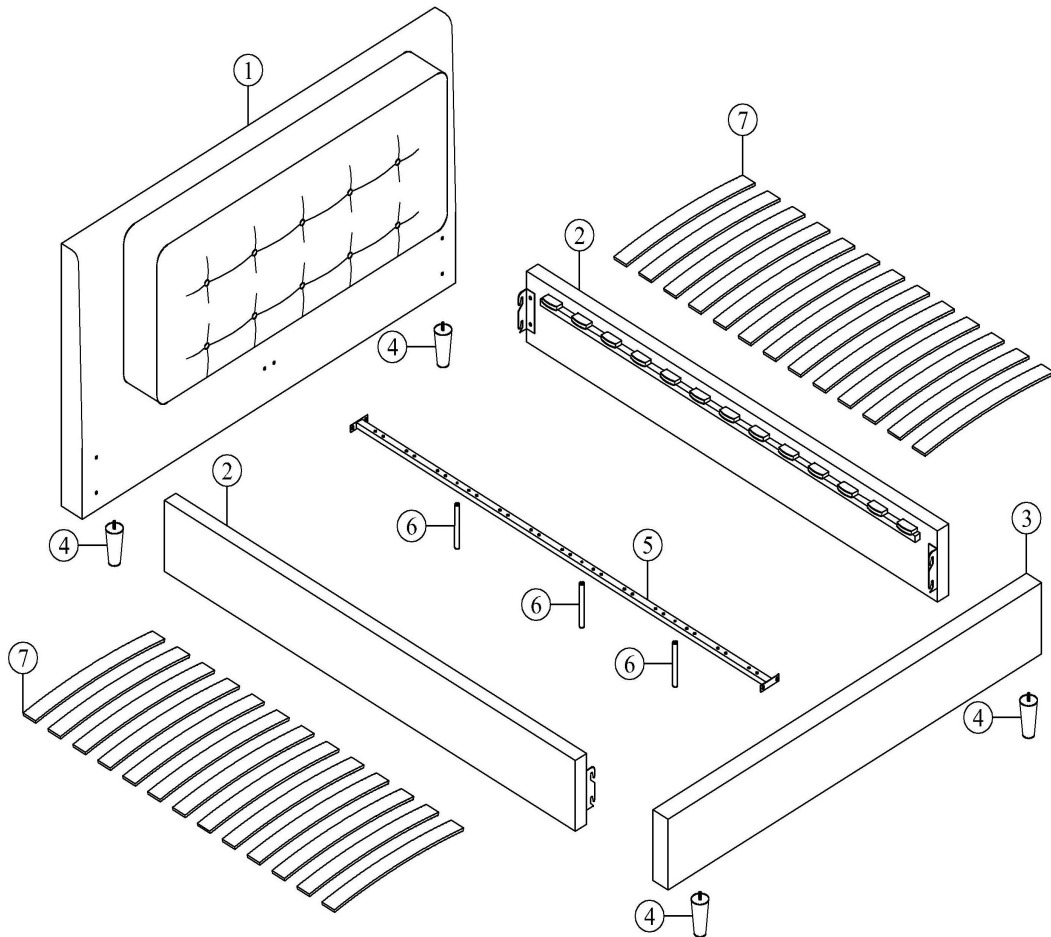
Hand Crafted Furniture

Hardware list includes factory installed bolts and washers for side rails attachment.

Note: please find bed feet and hardware box in side rail's carton.

A	B	D	E	F	I	J	K	L	N	M
										
Bolt	Bolt	Washer	Washer	Wooden feet	Bolt	Center Support leg				
Φ8*30MM	Φ6*40MM	Φ6MM	Φ8MM	H=13CM	Φ8*80MM	H=21.5CM	Center Clip	End Clip	Center Support	Wooden Slats
12 PCS	3 PCS	3 PCS	12 PCS	4 PCS	1 PC	3 PCS	13 PCS	26 PCS	1 PC	26 PCS

Assembly Steps:



Step#1

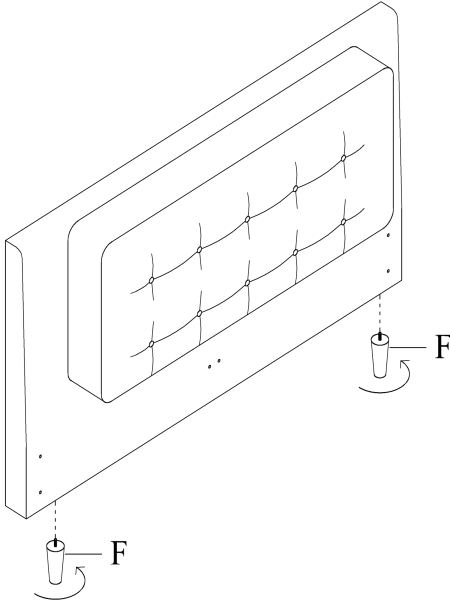
Retrieve feet and hardware from pack carton fasten behind the Headboard.

Attach bed feet (F) to headboard.

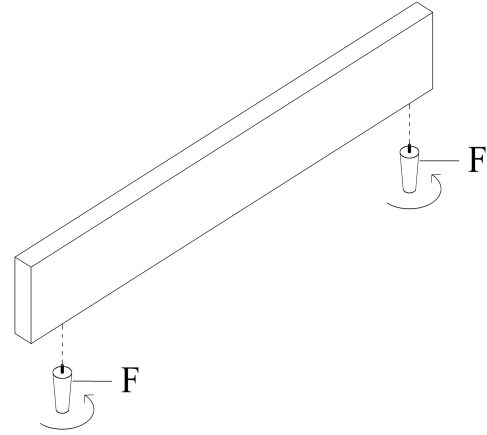
Step#2

Attach bed feet (F) to footboard.

1. Headboard



2. Footboard

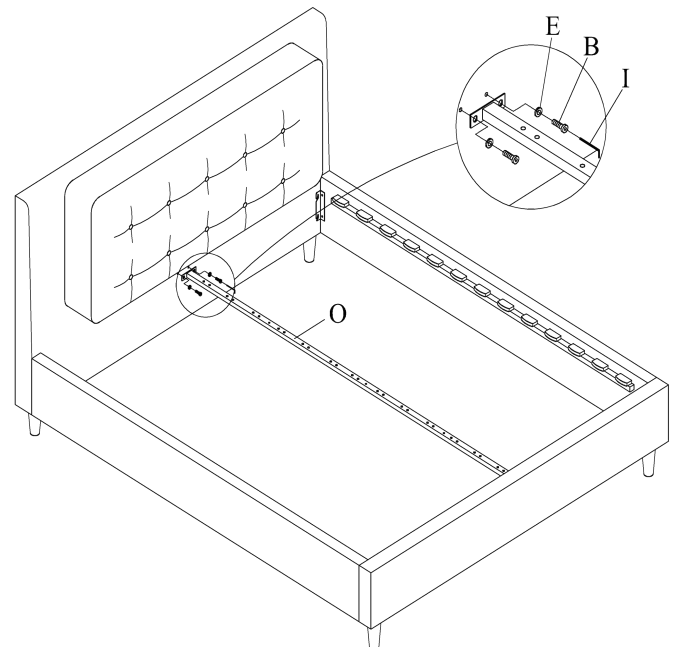
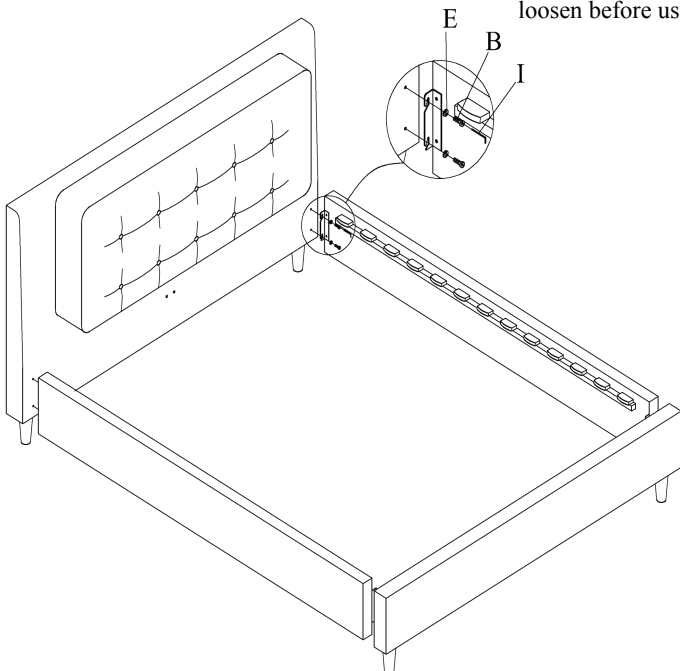


Step#3

Loosen Bolt (A) & Washer (E), attach side Rails to headboard and footboard using Wrench (I), Bolt (A) and Washer (E).

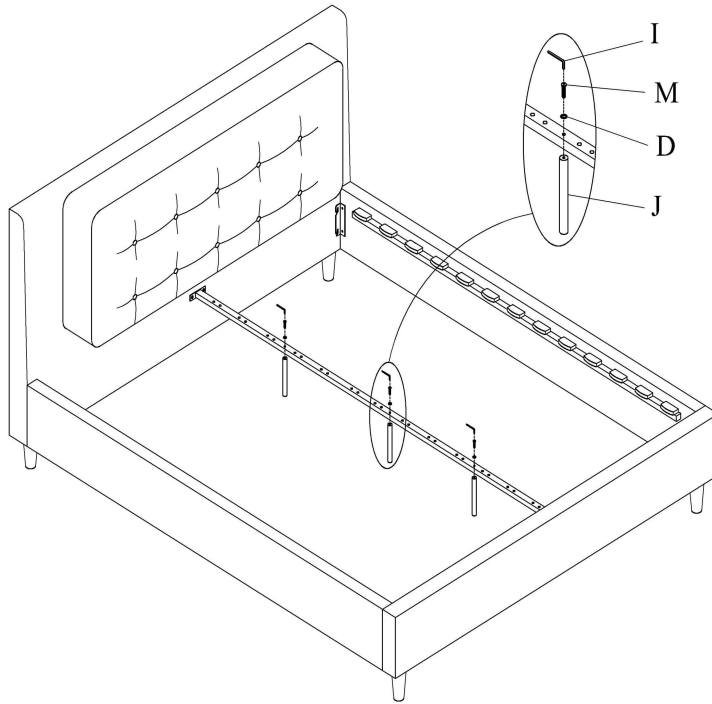
Remove Bolt (A) & Washer (E), attach steel center support (N) to the headboard and footboard using Bolt(A) and washer(E).

*Bolt(A) and Washer(E)
are fixed to the headboard
and footboard, Please
loosen before use*



Step#4

Attach center support legs (J) to the Center Support (Q) using Wrench (I) , Bolt (M) and Washer (D) .



Step#5

Move/place bed into final position in bedroom.

Attach curved slats support system to full length steel side rail support cleats. please put slats into end clip (Q) first, then connect with center clip (N), verify the slats are inserted properly into center clip (N) and end clip (Q).

Verify the center support legs are perpendicular to the floor for full support.

