



ASSEMBLY INSTRUCTIONS

72315

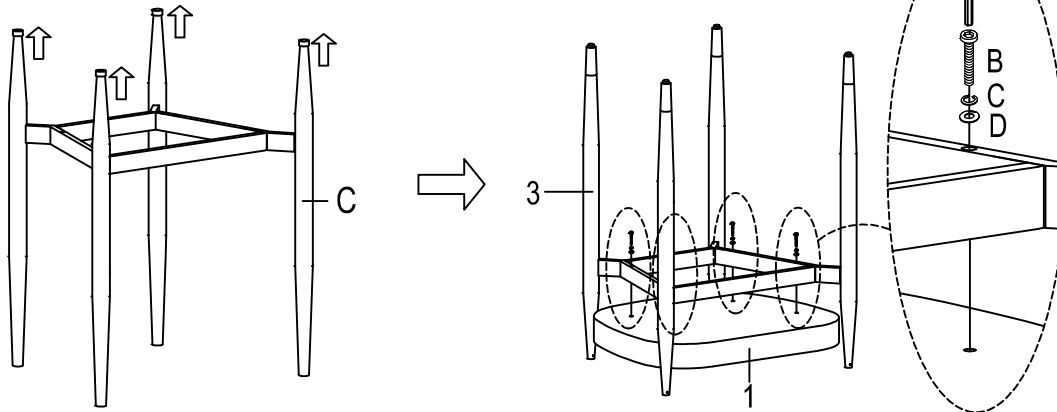
HARDWARE LIST

NO.	SKETCH	DESCRIPTION	QTY
A		Bolt(5/32"x5/32") Boulon	4 PCS 4 PCES
B		Bolt(1/4"x2-1/8") Boulon	4 PCS 4 PCES
C		Spring Washer(1/4") Rondelle frein	4 PCS 4 PCES
D		Washer(1/4") Rondelle plate	4 PCS 4 PCES
E		Allen wrench(4mm) Clé hexagonale	1 PC 1 PCE
F		Allen wrench(2mm) Clé hexagonale	1 PC 1 PCE

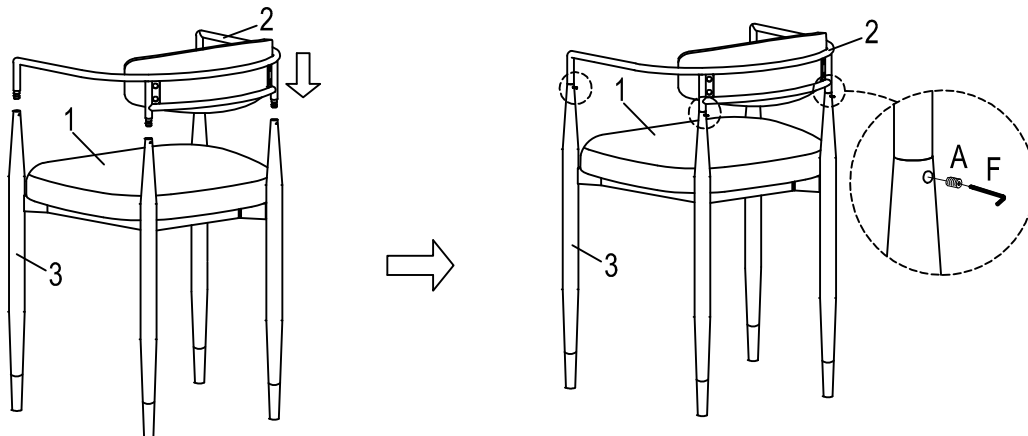
PARTS LIST

NO.	SKETCH	DESCRIPTION	QTY
1		Seat	1 PC
2		Backrest	1 PC
3		Metal frame	1 PC

Step 1



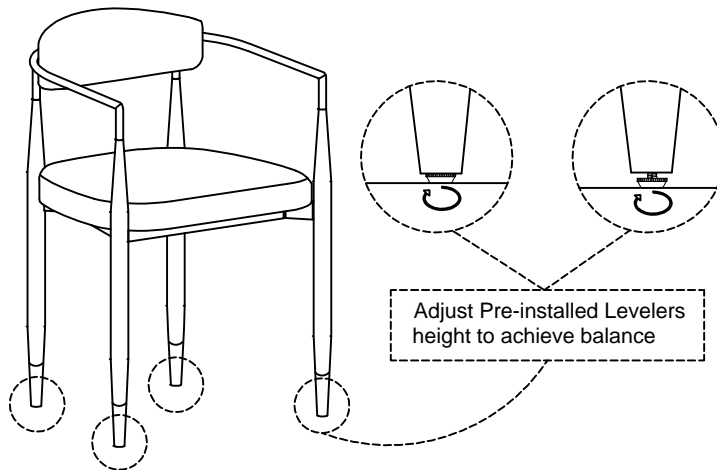
Step 2



Note: Once the assembly is completed, proceed to tighten all bolts sequentially.



Step 3



Step 4

