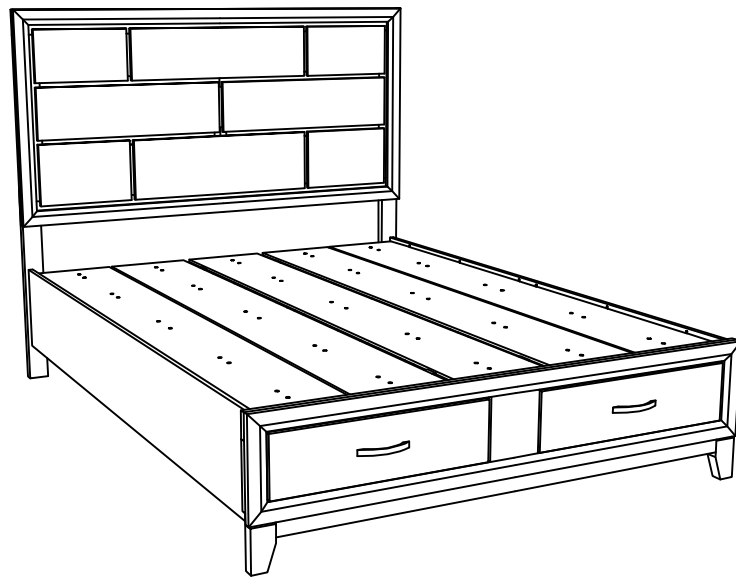


# Queen Storage Bed

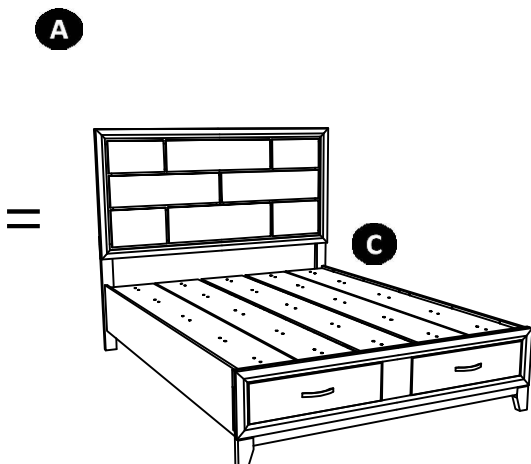
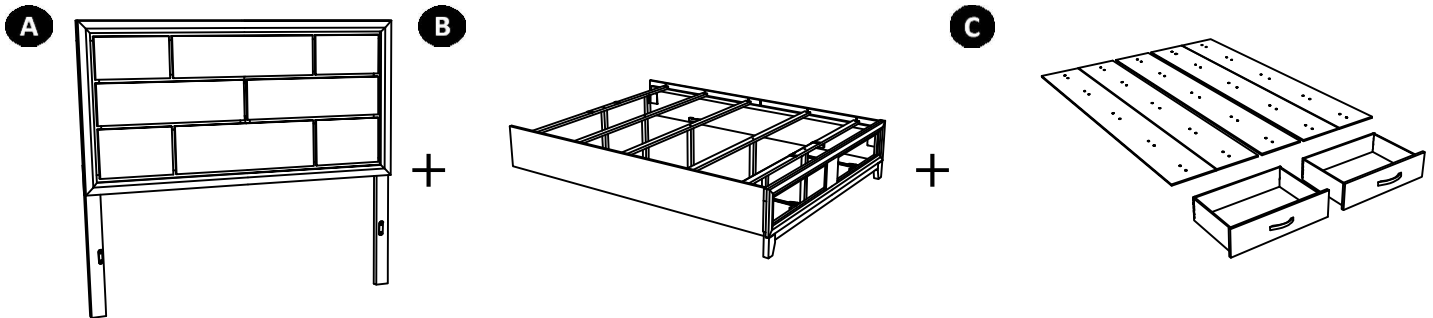
**MODEL  
0170D**

## Assembly Installation Guide

**DESCRIPTION:**  
Queen Headboard  
Queen Footboard  
Queen Side Rails  
Queen Slat & Support Legs  
Storage Drawer



### INSTALLATION AREA

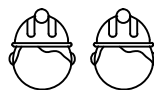


**Caution :** Please read instructions thoroughly before unpacking assembly parts. Sharp, exposed staple tips can cause injury, therefore, for your protection, please remove any exposed staples used in packing.

1. We recommend that you should assemble this product with the assistance of another person ; this will make assembly easier, and will help to eliminate damage to the product or injury to persons during assembly.
2. Be sure to check all packing materials carefully for small parts that may have come loose inside the carton during shipment.
3. Please do not over tighten screws or bolts.
4. Please put all parts on a non - abrasive floor before assembly. and follow the assembly step to assemble your newly purchased product correctly and efficiently .

Drawer N<sup>o</sup>Q & N<sup>o</sup>R are identical & compatible, to each other regardless left or right.

During assembly, do not tighten any hardware until the complete unit has been assembled.



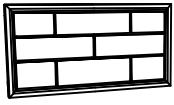
**2 PERSON**  
installation recommended



**20 - 25**  
minutes for installation

# BOX 1

## Box of Headboard & Footboard



**№A**

Headboard x 1  
67 x 795x 1610 mm



**№B**

Footboard x 1  
56 x 425 x 1600mm



**№C(L)**

Headboard Leg(Left) x 1  
34 x 70 x 725 mm



**№C(R)**

Headboard Leg(Right) x 1  
34 x 70 x 725 mm

## Hardware List



**№1**  
JCBC Bolt x 6  
m6 x 30mm  
BLK



**№2**  
Spring Washer x 6  
1/4" RBW



**№3**  
Flat Washer x 6  
1/4" ID x 13mm OD  
BLK



**№4**  
Allen Key x 1  
m4 x 65mm BLK

# BOX 2

## Box of Side rail



**№D**

Side Rail x 2  
35 x 295 x 2060mm



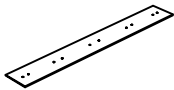
**№E**

Bed Slat x 3  
18 x 45 x 1545mm



**№F**

Bed Slat With Marking x 2  
18 x 45 x 1545mm



**№G**

Concealed Panel x 5  
9 x 295 x 2040mm



**№H**

Drawer Support Rail x 1  
20 x 40 x 1545mm



**№I**

Support Leg 1 x 5  
30 x 30 x 365mm



**№J**

Support Leg 2 x 1  
30 x 30 x 145mm

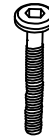
## Hardware List



**№5**  
Flat Head Chipboard  
Screw x 12  
m4 x 32mm RBW



**№6**  
Pan Head Chipboard  
Screw x 25  
m3.5 x 20mm BLK



**№7**  
JCBC Bolt x 6  
m6 x 50mm  
BLK



**№8**  
Allen Key x 1  
m4 x 65mm BLK



**№9**  
Allen Key x 1  
m5 x 65mm BLK



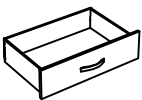
**№10**  
Flat Washer x 4  
1/4" ID x 13mm OD  
BLK for T-Runner  
alignment  
IF NECESSARY USE  
ONLY



**№11**  
Flat Head Chipboard  
Screw x 2  
m4 x 20mm RBW

# BOX 3

## Box of Parts & Hardware



**№L**

Drawer x 2



**№10**

8116 Handle 128mm  
Aluminium (With  
Thread 4mm) x 2



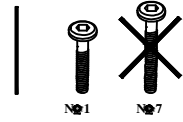
**№11**

Truss Head Machine  
Screw m4x25mm  
Blk x 2

# A

STEP  
01

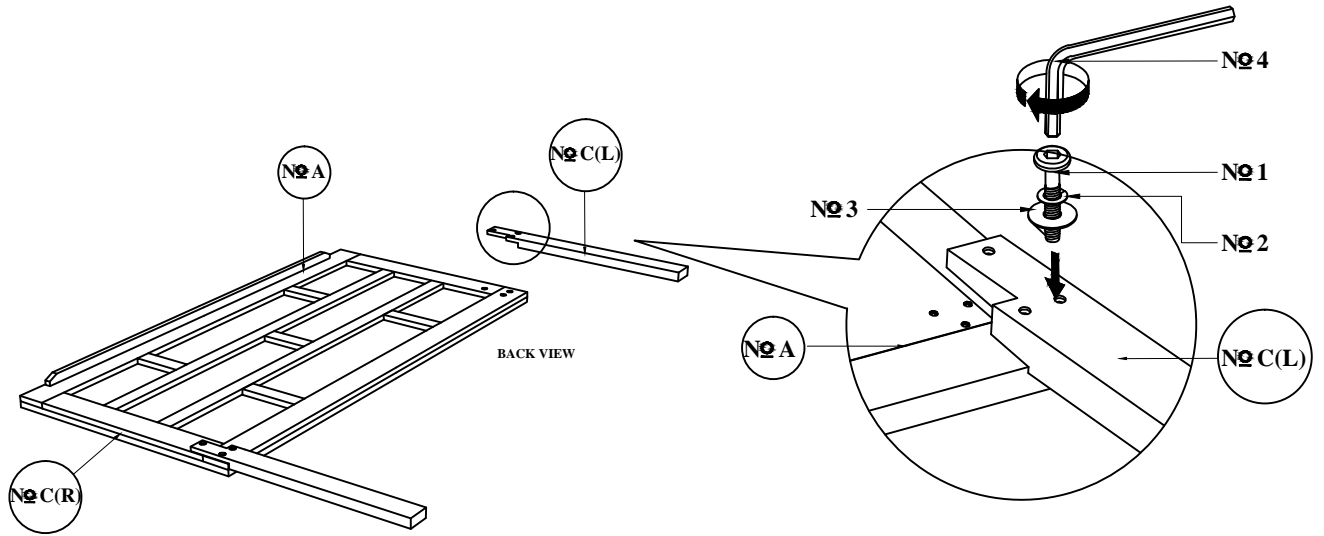
Attach headboard leg (C) (L&R) to headboard (A) secure with JCBC bolt (1) , spring washer (2) , flat washer (3) and tighten them by Allen key (4) as shown.



**Box 1 : No A + No C(L) + No C(R) No 1 + No 2 + No 3 + No 4**



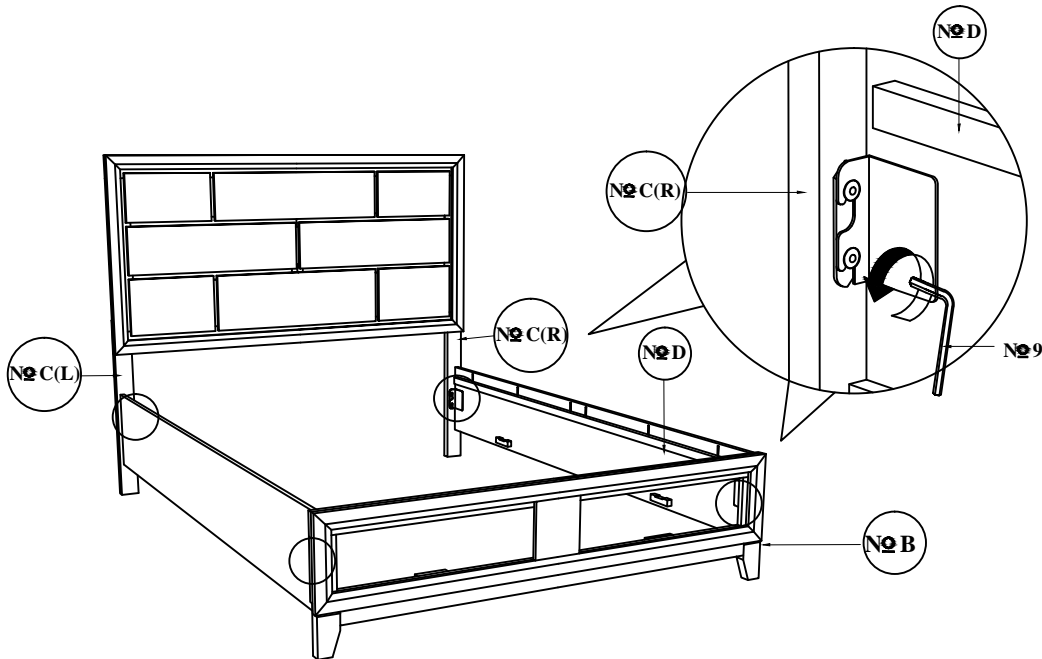
Headboard  
Assembly  
Installation



STEP  
02

Loosen the JCBC bolt with Allen key (9) and hook the side rail (D) to headboard leg (C) (L&R) and footboard (B) by push down to fit. Repeat the same step for next assembly.

**Box 2 : No D + No 9**

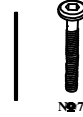


# A

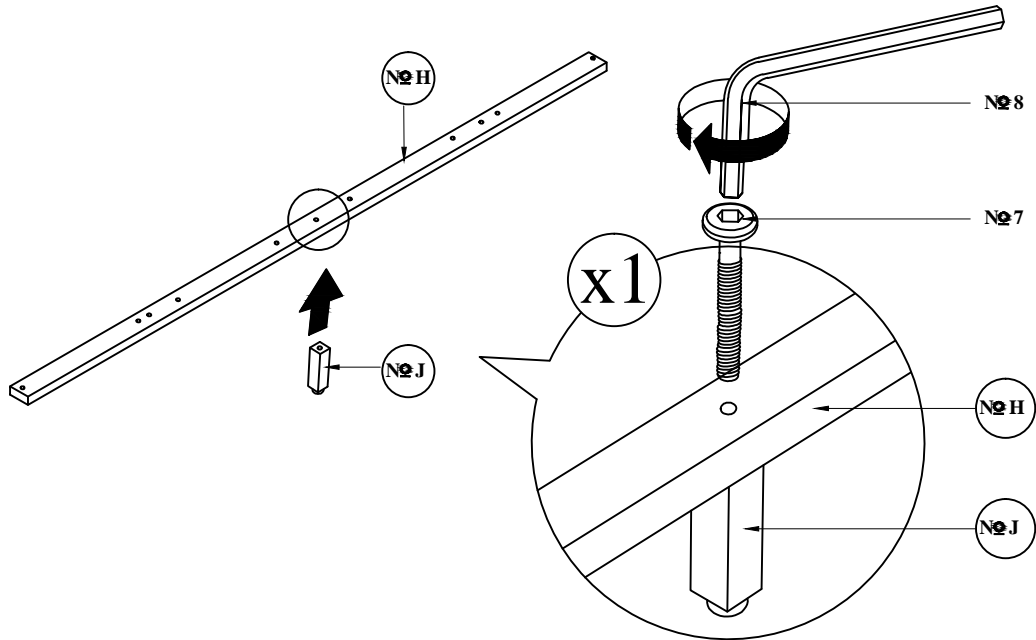
STEP  
03

Attach Support Leg 2 (J) to the Drawer support Rail (H). Secure with JCBC Bolt (7) and tighten them by an Allen Key (8)

Box 2 : N° H + N° J + N° 7 + N° 8



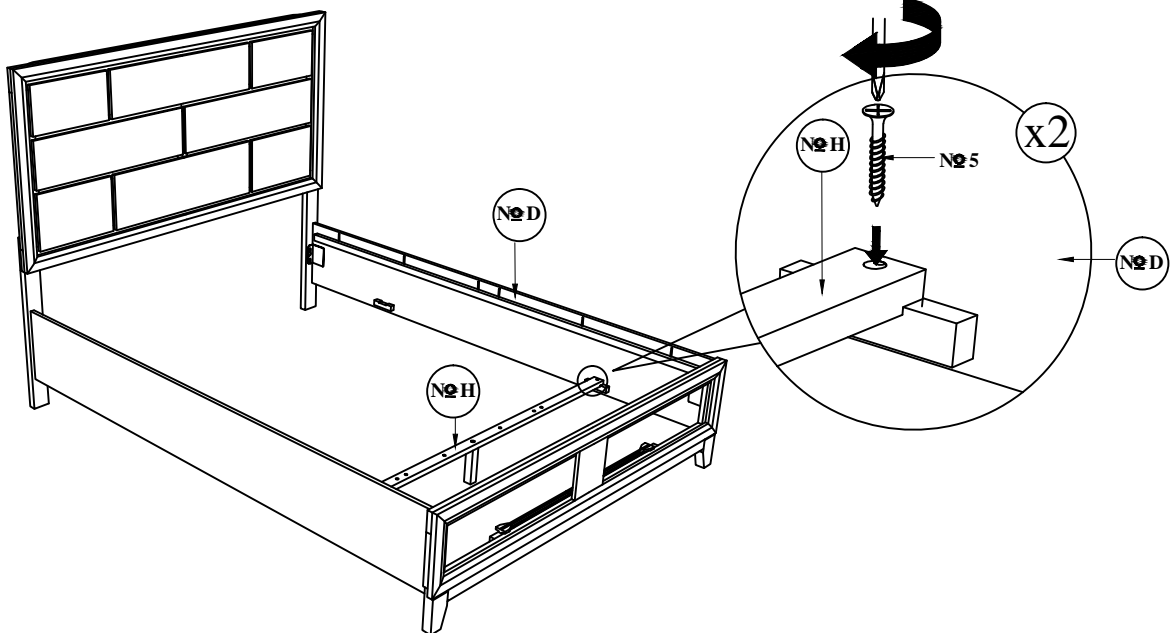
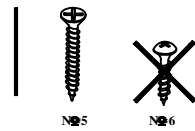
Footboard  
Structure  
Assembly  
Installation



STEP  
04

Attach drawer support rail (H) to side rail (D) Secure with CSK screw (5) and tighten them by screw driver .  
(Not included)

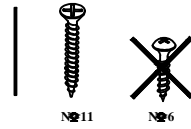
Box 2 : N° H + N° 5



# B

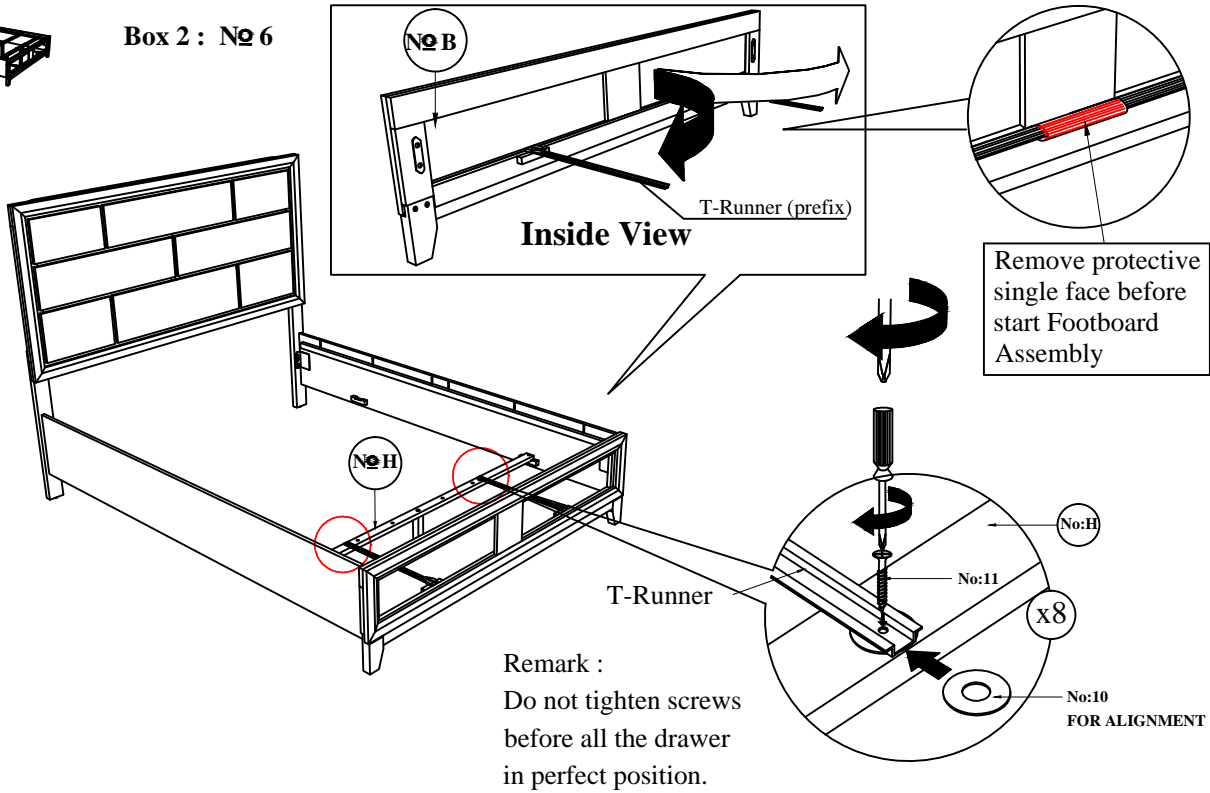
STEP  
05

Attach footboard T runner (prefix with footboard) by rotate it to the T-Runner Center Support Frame (H) Secure with CSK screw (11) & place Flat washer (10) underneath of the T- Runner tighten it by screw driver (Not included)



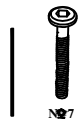
Box 2 : No 6

Footboard  
Structure  
Assembly  
Installation

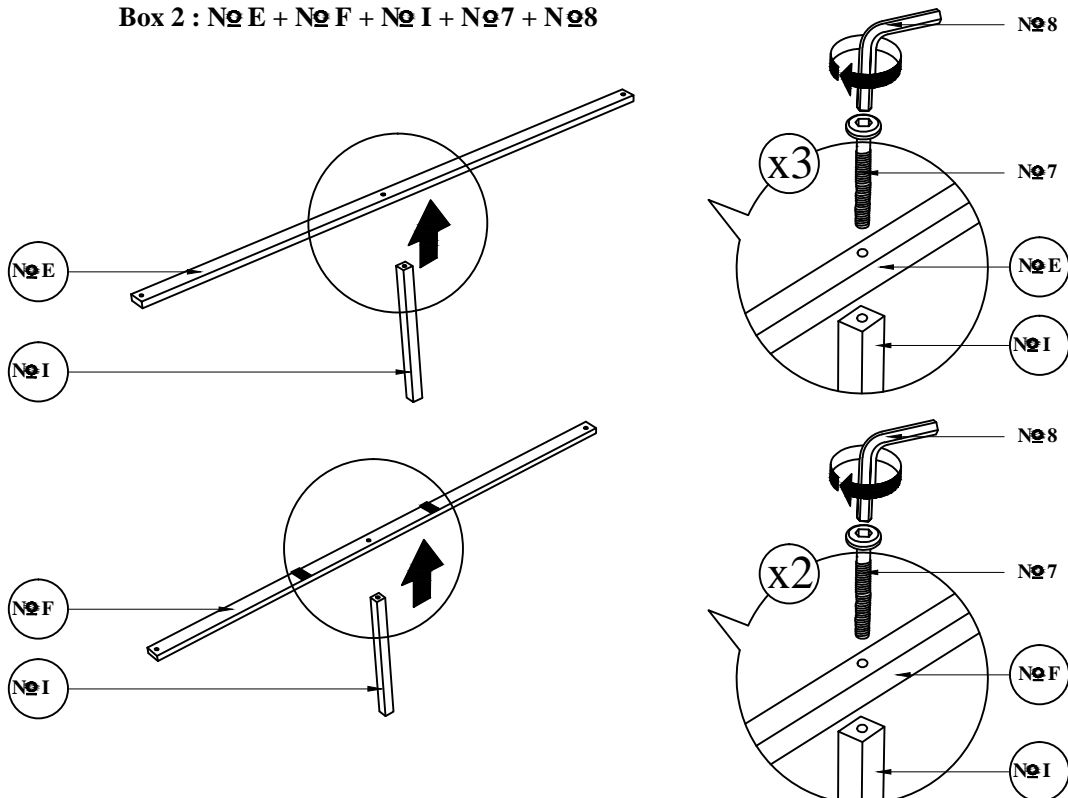


STEP  
06

Attach Bed Slat (E) & (F) to the Bed Slat Support (I) . Secure with JCBC Bolt (7) and tighten them by using an Allen Key (8). ( Loosen and tighten the Adjuster to stability of bed)



Box 2 : No E + No F + No I + No7 + No8

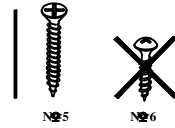


# B

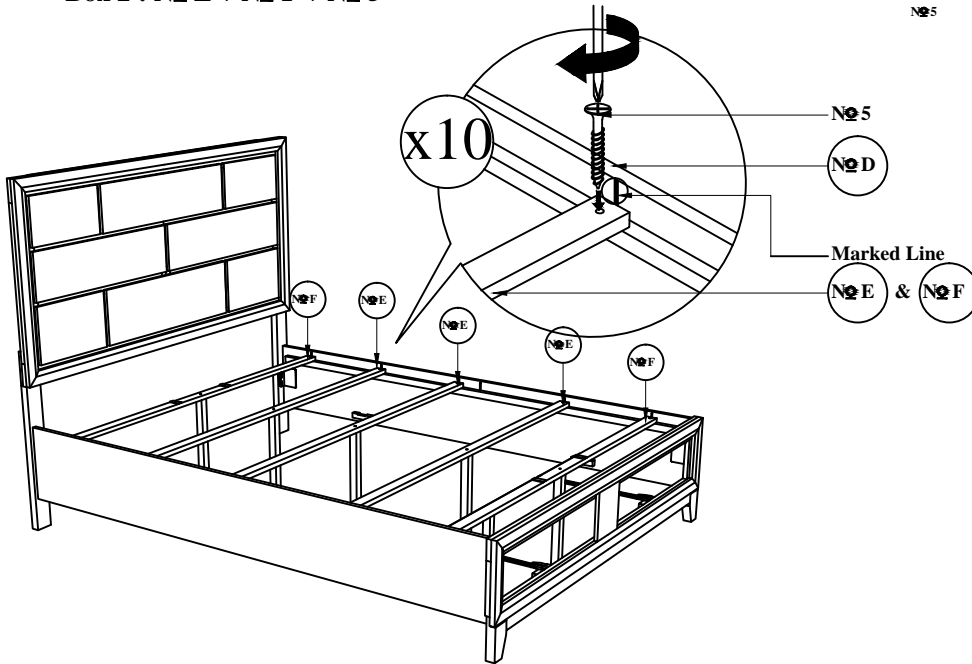
STEP  
07

Attach the slat (E) & (F) to the Side Rail (D) by follow the marking line. Secure with CSK screw (5) and tighten them by using screw driver . (not included)

Box 2 : № E + № F + № 5



Footboard  
Structure  
Assembly  
Installation



STEP  
08

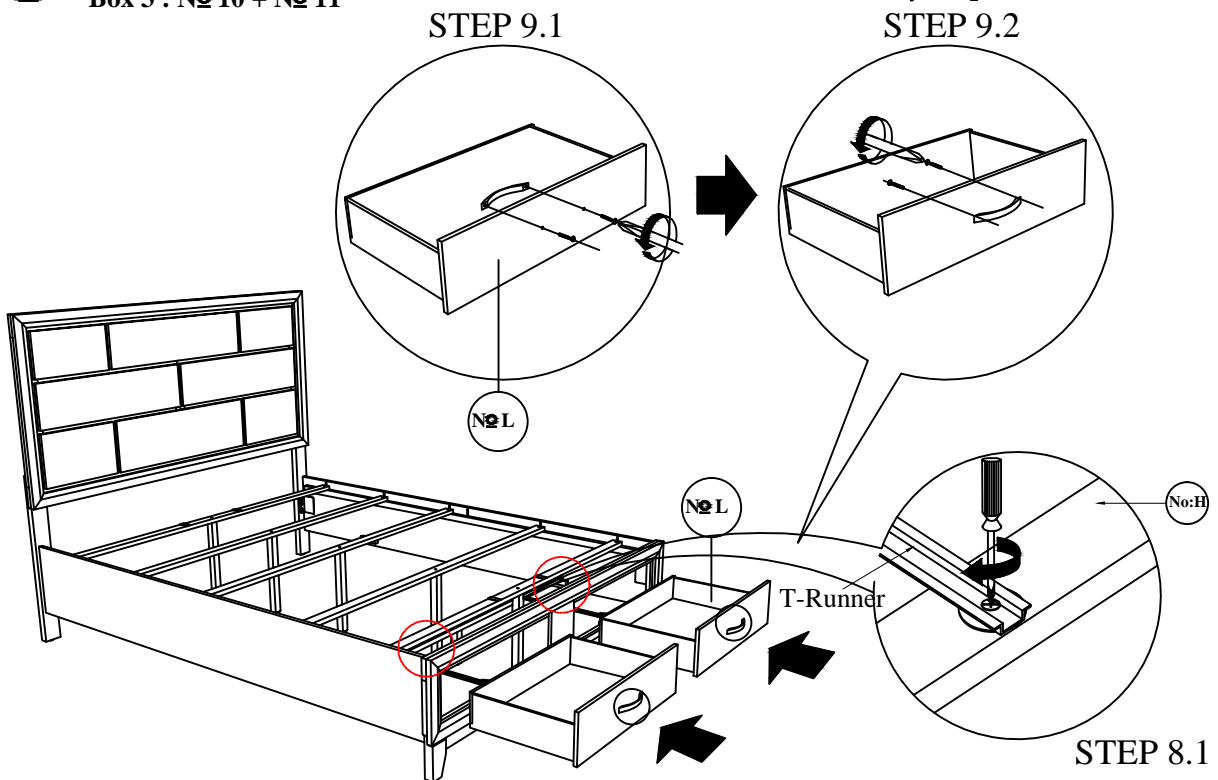
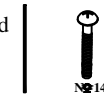
Insert Footboard drawer (L) onto position over T-runner as shown. Fully Tighten all screws that fix the T-runner.

Box 3 : № L

STEP  
09

Install the handle (10) in the front of drawer (L). Secure with Trust Head Screw (11) and tighten them by using Screw Driver. (Not included)

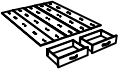
Box 3 : № 10 + № 11



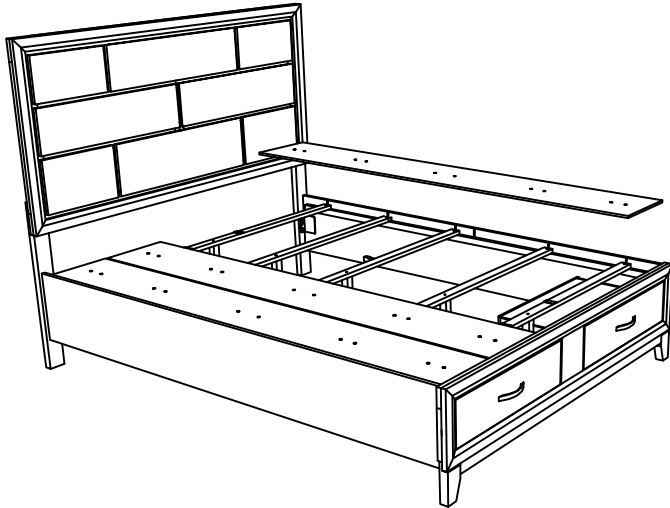
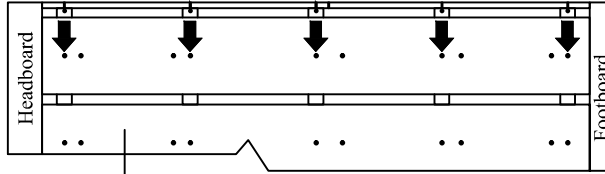
# C

STEP  
10

Attention! Screw on this markings on concealed panel slat (G).  
Realign the Concealed Panel Slat (G) as shown.



Footboard  
Structure  
Assembly  
Installation

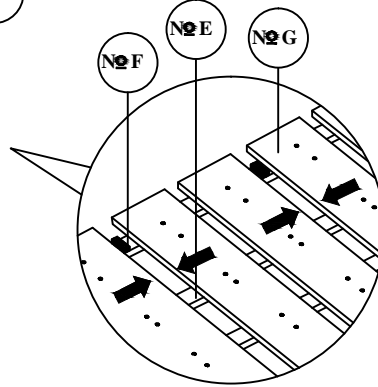


№ G

№ F

№ E

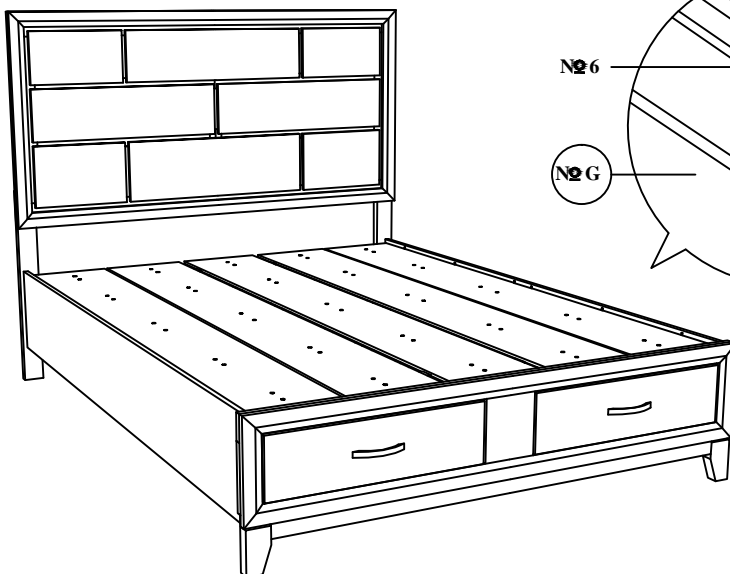
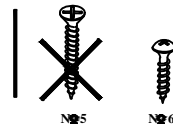
№ G



STEP  
11

Attach Concealed Panel (G) over the Bed Slat (E) & (F) secure with Panhead Screw (6) and tighten them by using Screw Driver. (Not included)

Box 2 : № G + № 6



№ 6

№ G

Marking Line

№ E & № F

x25