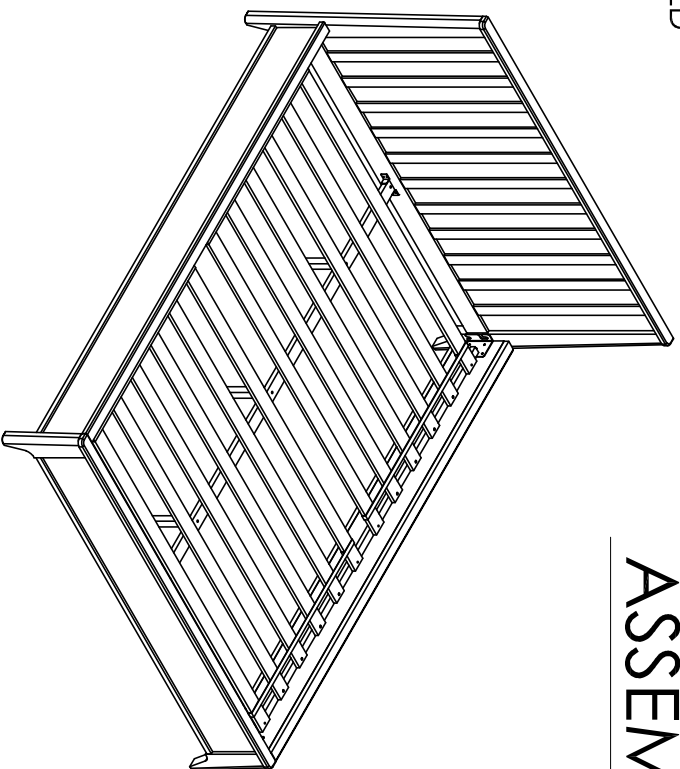
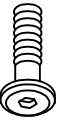

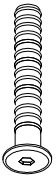









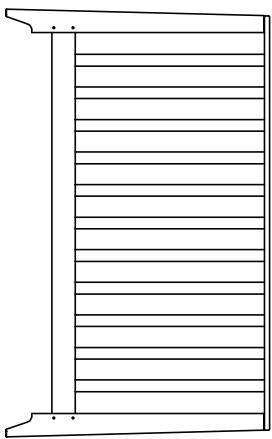
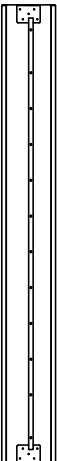



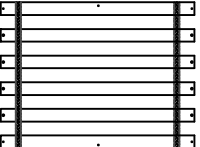
ASSEMBLY INSTRUCTIONS



HARDWARE LIST

1	JCBB M8 x 20mm 	8 PCS	6	ALLEN KEY M4 	1 PC
2	JCBC M6 x 30mm 	5 PCS	7	ALLEN KEY M5 	1 PC
3	JCBC-W M6 x 30mm 	8 PCS	8	FLAT WASHER 	2 PCS
4	WOOD SCREW 4.0 x 30mm 	16 PCS	9	U - BRACKET 	2 PCS
5	WOOD SCREW 3.5 x 16mm 	8 PCS	10	HEX NUT M6 	2 PCS

COMPONENT LIST

A	HEADBOARD 	1 PC	C	SIDE RAIL 	2 PCS
B	FOOTBOARD 	1 PC	D	CENTER RAIL 	1 PC
			E	SMALL LEG 	3 PCS
			F	SLAT 	2 SETS

ASSEMBLY TIPS

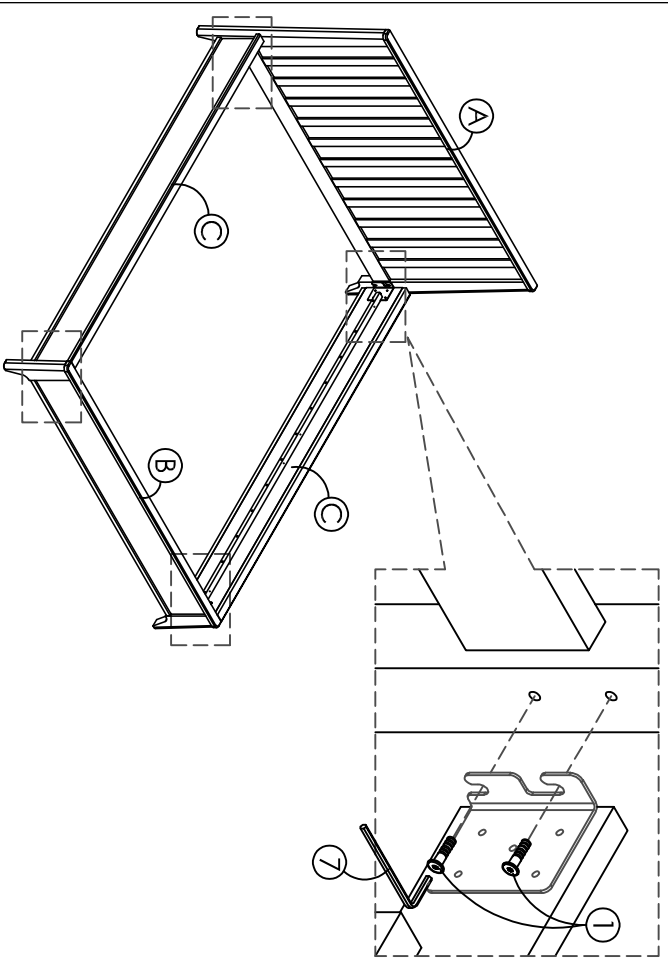
1. Remove hardware from box and sort by size.
2. Please check to see that all hardware and parts are present prior start of assembly.
3. Please follow attached instructions in the same sequence as numbered to assure fast and easy assembly.



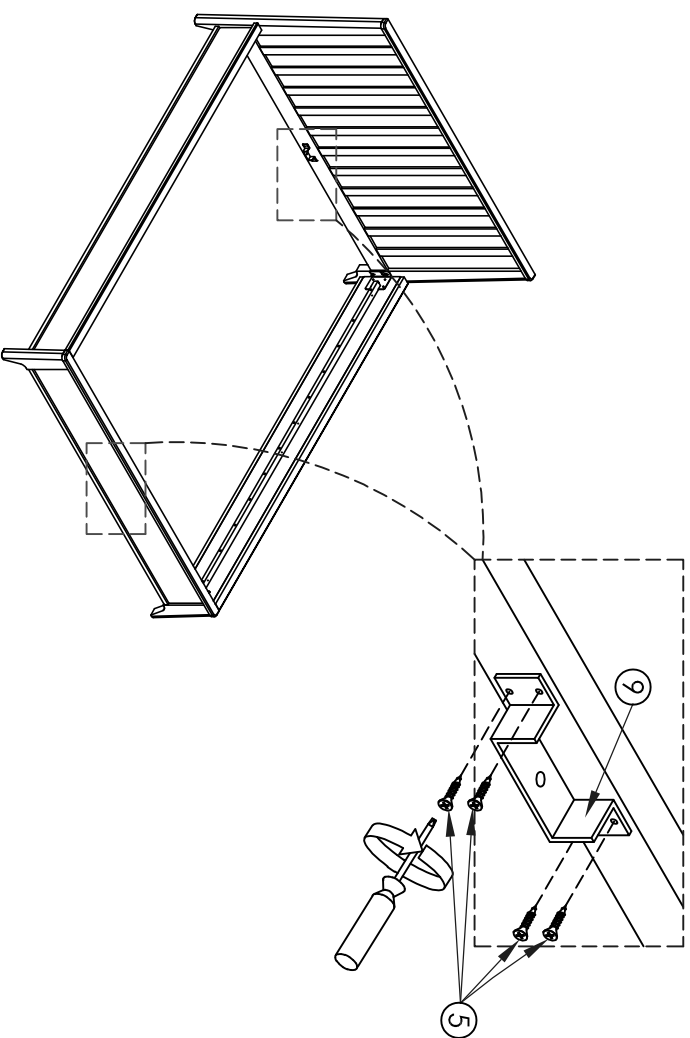
Warning !

1. Don't attempt to repair or modify parts that are broken or defective. Please contact the store immediately.
2. This product is for home use only and not intended for commercial establishments.

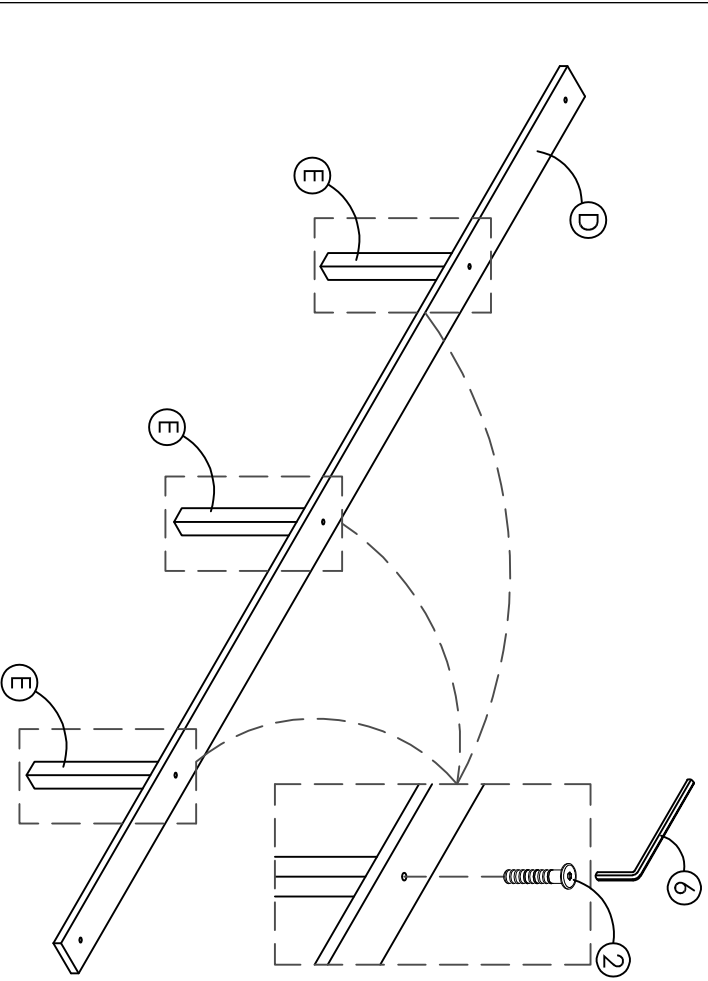
STEP 1



STEP 2



STEP 3



STEP 4

