
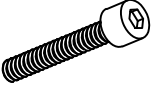





ASSEMBLY INSTRUCTION

A

X8

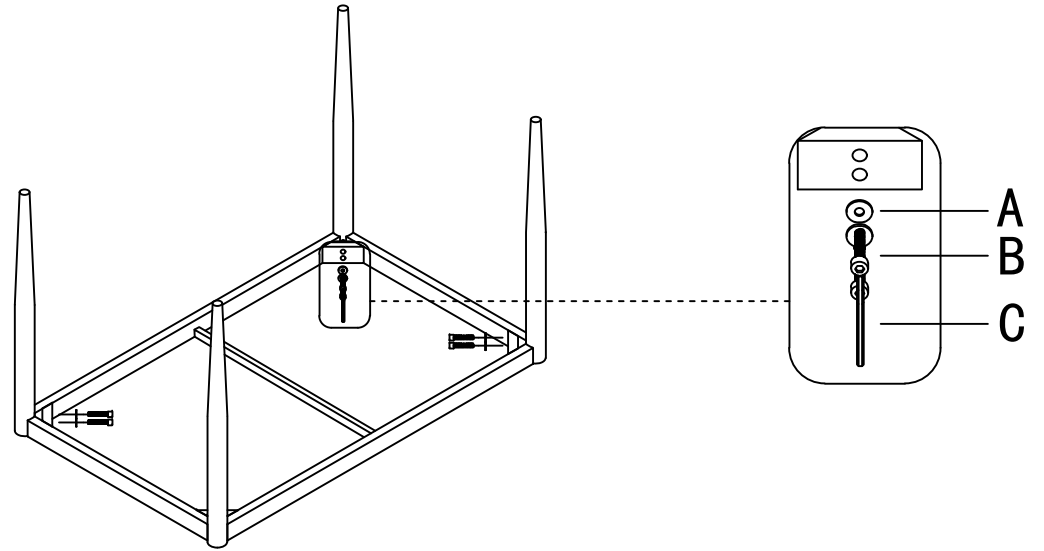
B

X8

C

X1

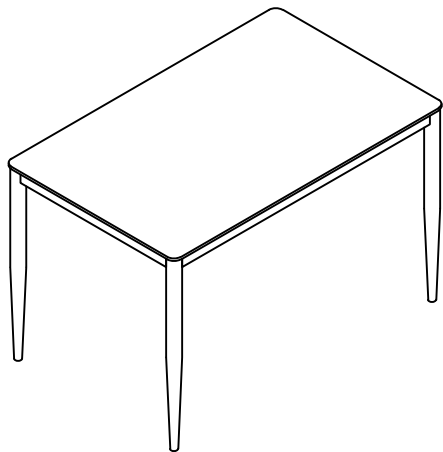
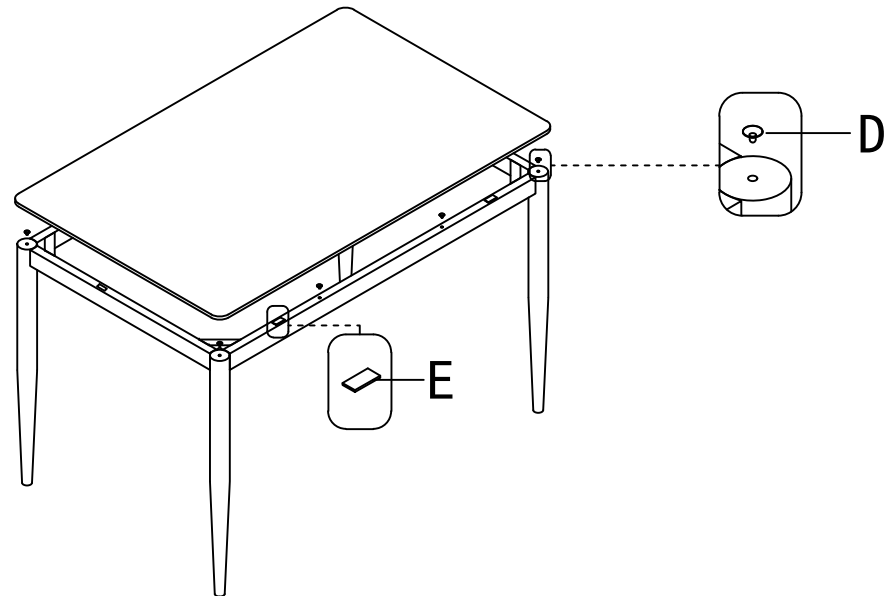
D

X8

E

X6

Step 1



Step 2



F-1565