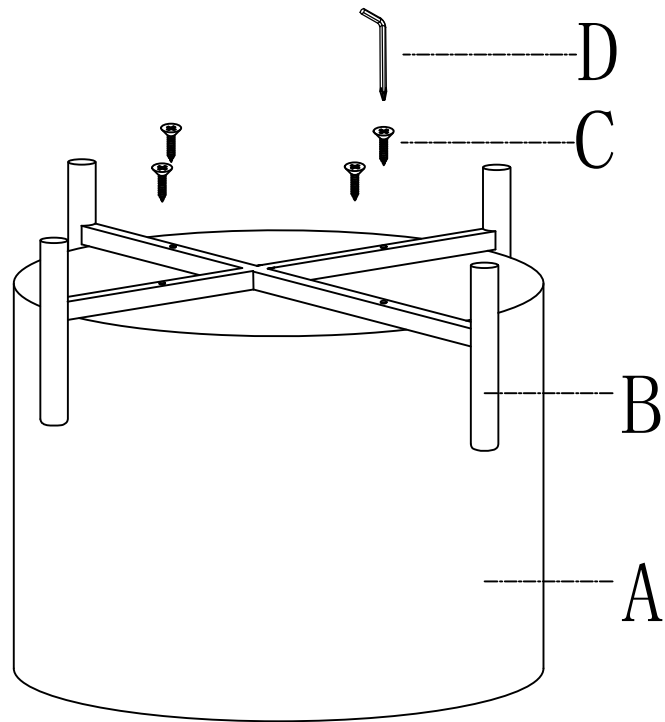
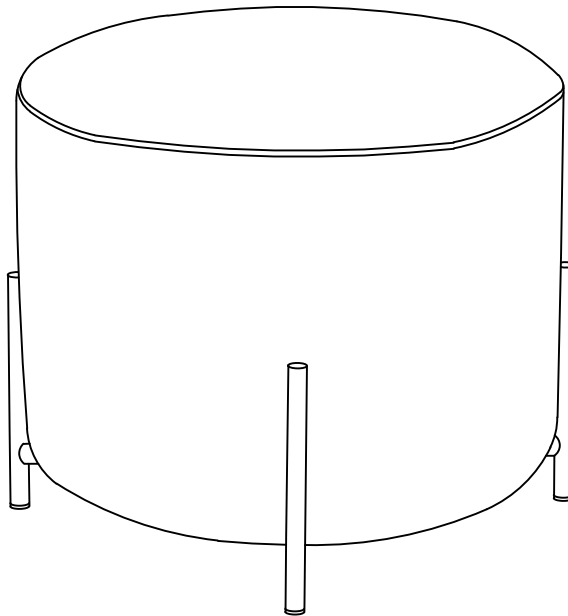


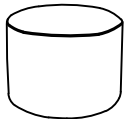



# ASSEMBLY INSTRUCTION

1



2



A		x1	B		x1
C		x4	D		x1