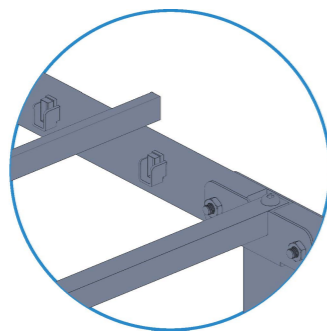
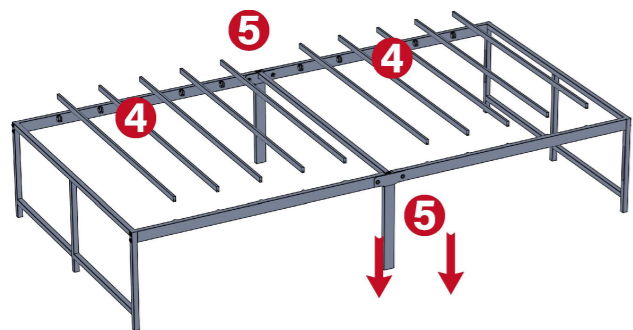


Step 3.

Embed support slats (4) into side rails (5) .











WARNING

- Due to the size of this bed we recommend assembling it in the room intended for use.
- Use on firm, level ground. To avoid scratching to the floor, please assemble it on a blanket or a carpet.
- Check the packaging to make sure you have all the parts listed on this instruction.
- Do not tighten all screws until finish.
- Do not destroy the packaging until after the product is fully assembled.
- Keep all packaging box, bags, and small parts out of the reach of children.
- Make sure bed frame's legs are in contact with the ground all the time.
- Do not jump, stand on this bed.
- To move this bed, please disassemble firstly.

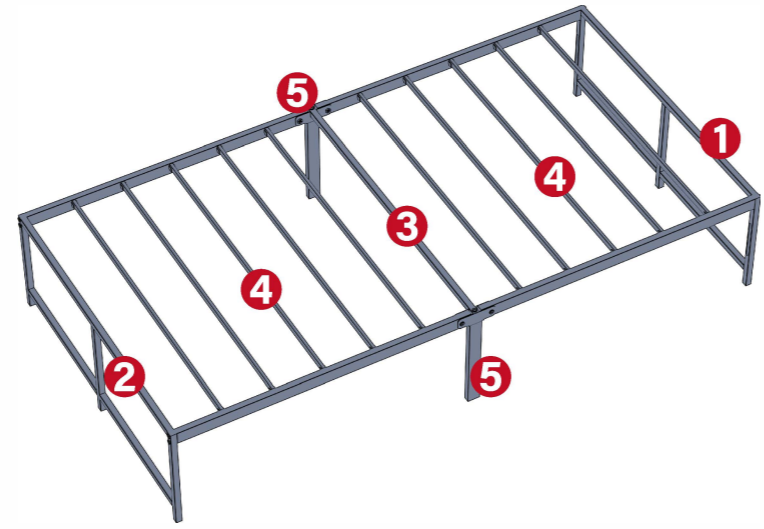
User Manual
Metal Bed Frame

Components

1		Head Rail	1 pc.
2		Foot Rail	1 pc.
3		Center Slat	1 pc.
4		Support Slats	10 pcs.
5		Side Rails	2 pc.
A		A: Bolts-M8x35mm	8 pcs.
B		B: Bolts-M8x50mm	2 pcs.
C		Wrench	1 pc.

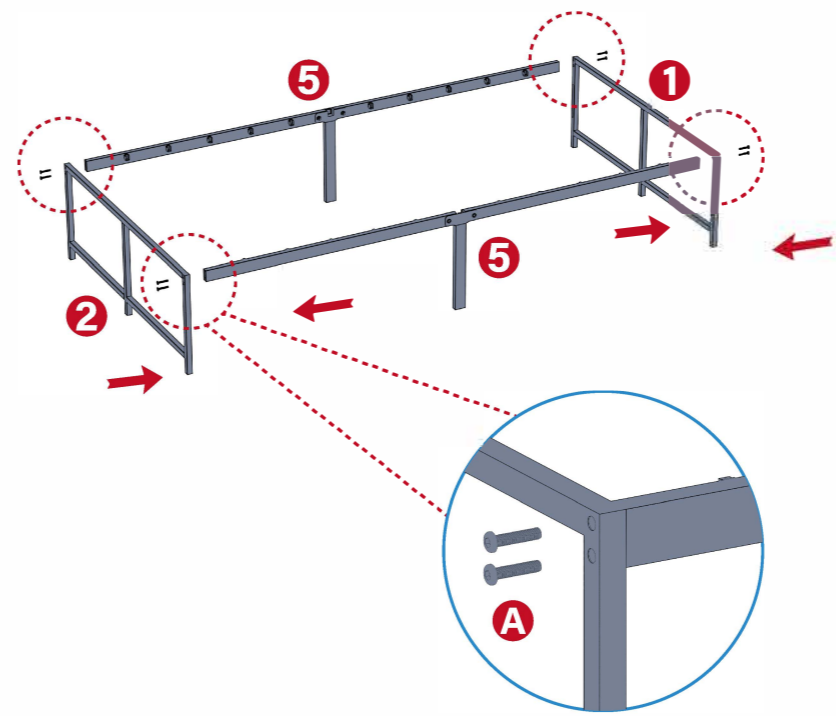
Note: Please confirm that you received all parts and accessories before assembly.

Available in Twin size



Step 1.

Attach headrail (1) and footrail (2) to side rails (5) with bolt A.



Step 2.

Embed centerslat (3) into side rails (5) with bolt B.

