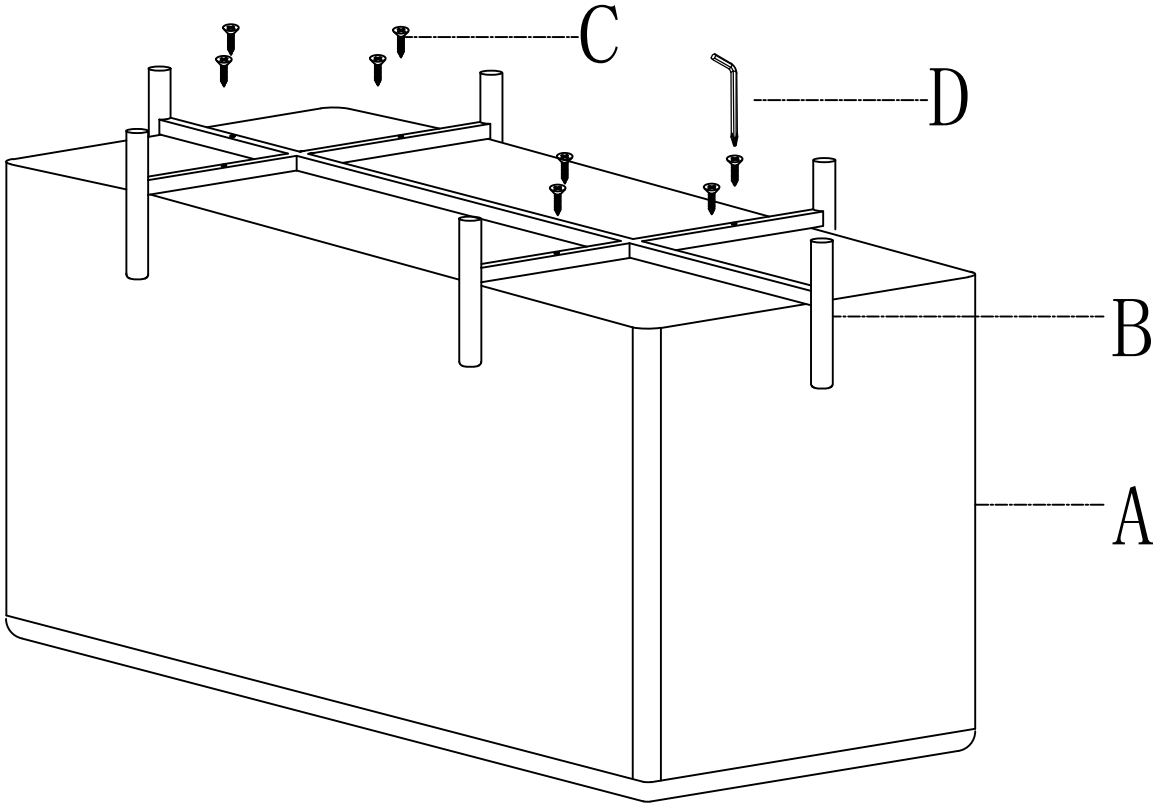
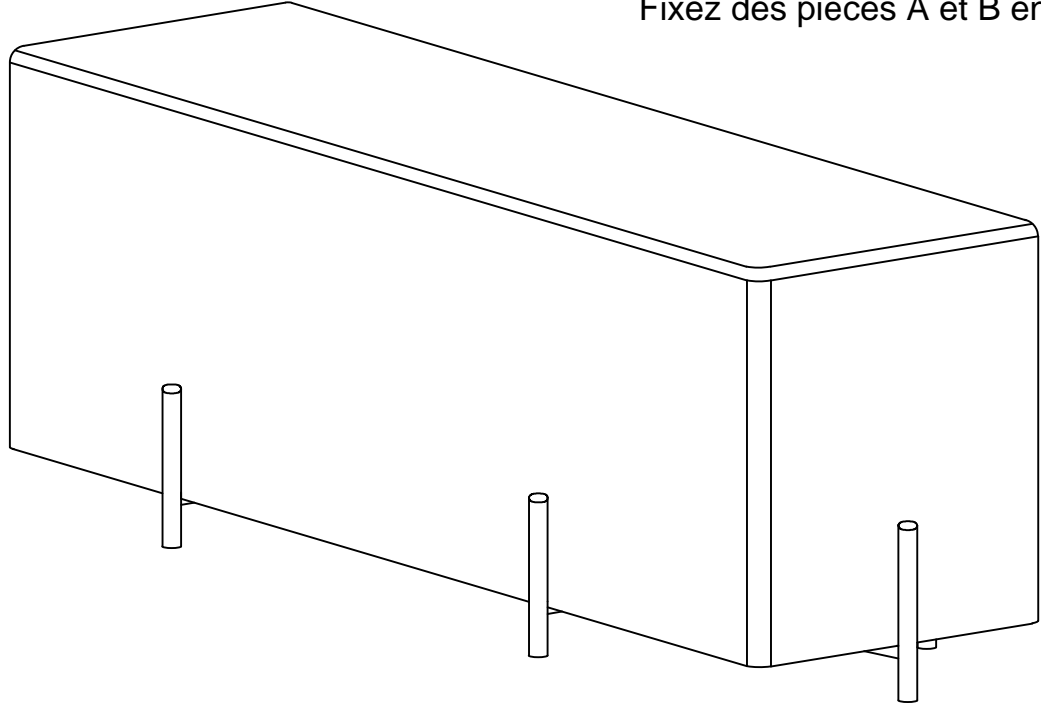


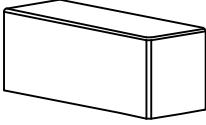



1



2

Fix the part A and B together  
 Fixez des pièces A et B ensemble



<p>A</p>  <p>x1</p>	<p>B</p>  <p>x1</p>
<p>C</p>  <p>x4</p>	<p>D</p>  <p>x1</p>