











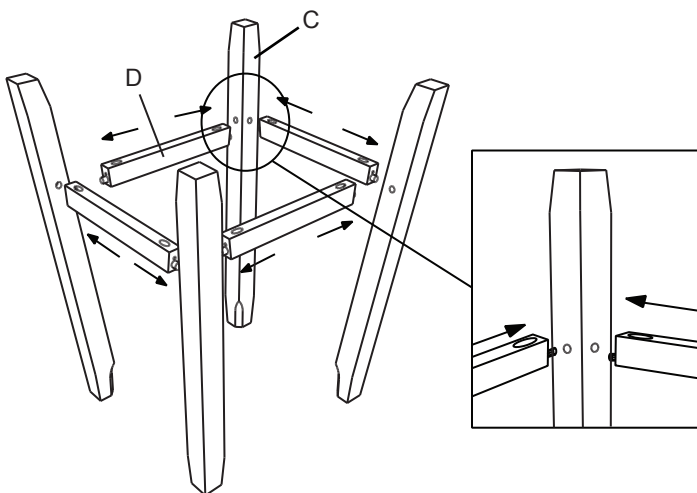
Assembly Instruction

BARSTOOL SWIVEL CHAIR

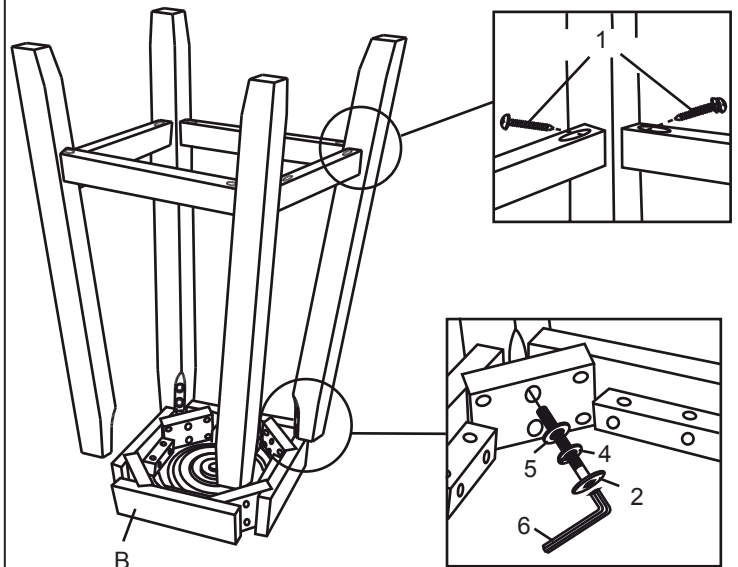
SKETCH	DESCRIPTION	Q'TY
A 	Chair Back	1 pce
B 	Seat Box	1 pce
C 	Legs	4 pcs
D 	Stretcher	4 pcs

NO	Hardware List		Q'TY
1		Pan Head Screw	8 pcs
2		JCBC Bolt (Long)	8 pcs
3		JCBC Bolt (Short)	4 pcs
4		Lock Washer	12 pcs
5		Flat Washer	12 pcs
6		Allen Key	1 pce

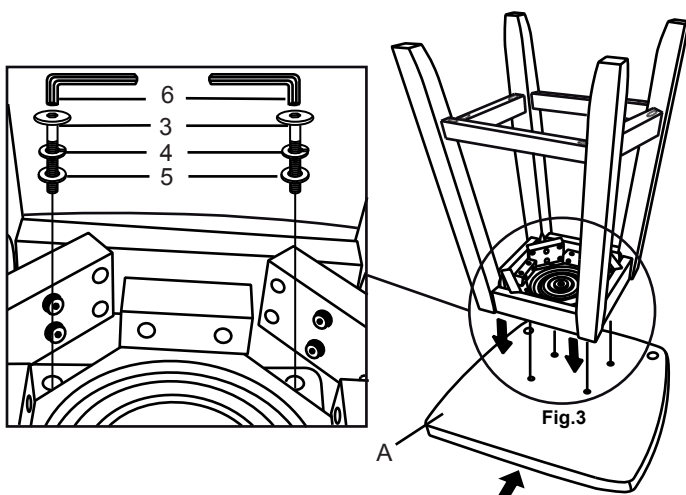
STEP 1



STEP 2



STEP 3



STEP 4

