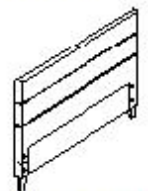
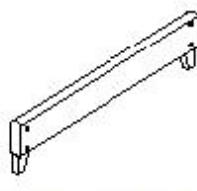
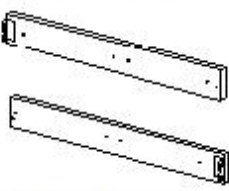






















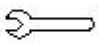

ITEM:L X 895Q

ASSEMBLY INSTRUCTION

ASSEMBLY INSTRUCTION
PARTS IDENTIFICATION

<p>A: HEAD BOARD 1PC</p> 	<p>B: FOOT BOARD 1PC</p> 	<p>C: SIDE RAILS 4PCS</p> 
<p>D: DOUBLE PLASTIC CAP 10PCS</p> 	<p>E: SINGLE PLASTIC CAP 20PCS</p> 	<p>F: SLAT 20PCS</p> 
<p>G: LONG CONNECTION WOOD 2PCS</p> 	<p>H: CENTER SUPPORT BAR 2PCS</p> 	<p>I: THE CONNECTION PLATE 1PC</p> 
<p>J: THE CONNECTION PLATE 2PCS</p> 	<p>K: LONG SUPPORT LEG 3PCS</p> 	<p>L: FOOT 4PCS</p> 
<p>M: SHORT CONNECTION WOOD 4PCS</p> 	<p>N: LONG SLAT 2PCS</p> 	<p>Z: SHORT SUPPORT LEG 2PCS</p> 

HARDWARE IDENTIFICATION

<p>Q: SPRING WASHER 48 PCS</p> 	<p>P: WASHER 48PCS</p> 	<p>Q: BOLT 5/16" 102mm 4 PCS</p> 	<p>R: BOLT 5/16"45mm 24 PCS</p> 
<p>S: BOLT 5/16" 30mm 16 PCS</p> 	<p>T: BOLT 5/16"19MM 4 PCS</p> 	<p>U: NUT 12PCS</p> 	<p>V: ALLEN KEY M5*40*100mm 1PC</p> 
<p>W: WRENCH 1PC</p> 	<p>X: ALLEN KEY 1PC</p> 	<p>Y: SCREW 4PCS</p> 