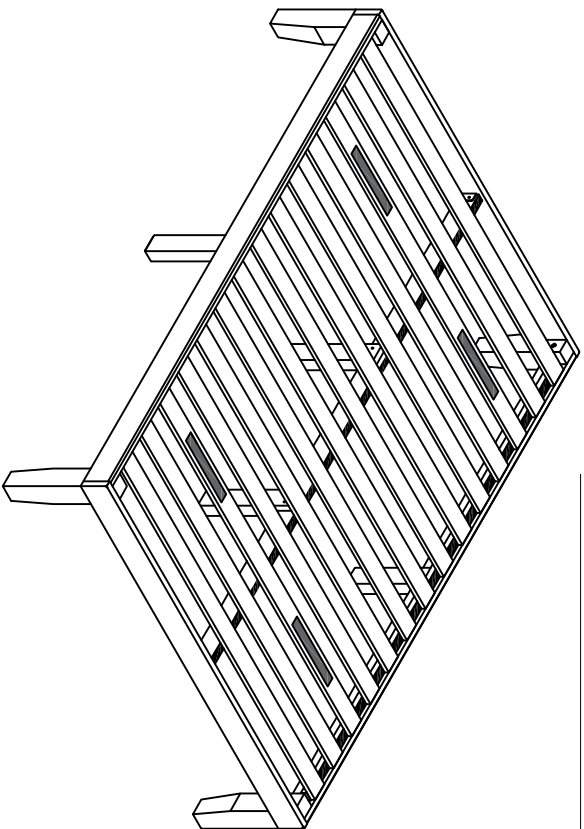


ASSEMBLY INSTRUCTIONS



ASSEMBLY TIPS

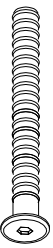
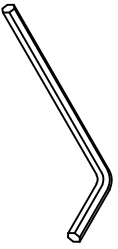
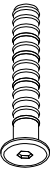
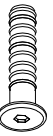
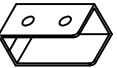
1. Remove hardware from box and sort by size.
2. Please check to see that all hardware and parts are present prior start of assembly.
3. Please follow attached instructions in the same sequence as numbered to assure fast and easy assembly.



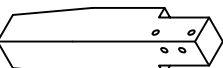
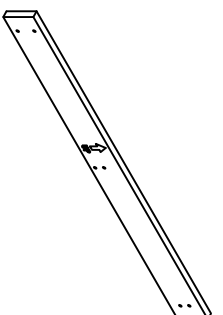
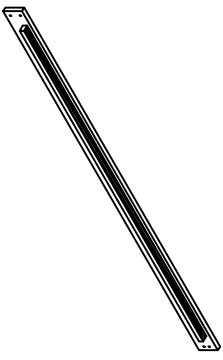
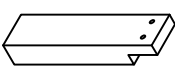
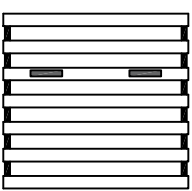
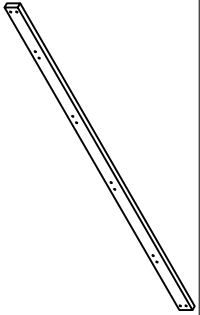
Warning !

1. Don't attempt to repair or modify parts that are broken or defective. Please contact the store immediately.
2. This product is for home use only and not intended for commercial establishments.

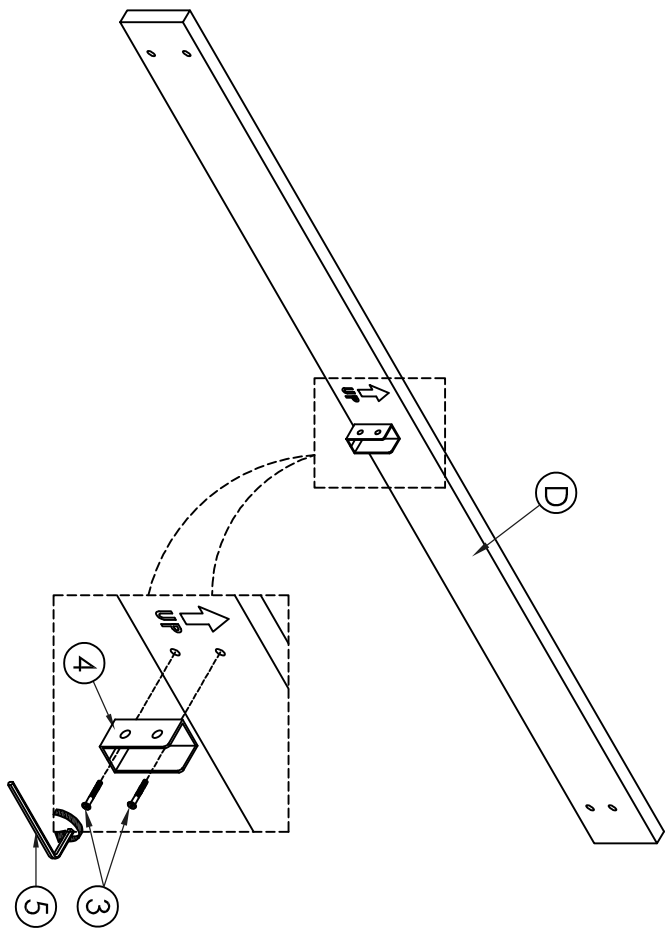
HARDWARE LIST

1		16 PCS	5		1 PC
JCBB	M8 x 65mm	8 PCS		ALLEN KEY M5	
2		8 PCS			
JCBB	M8 x 35mm	8 PCS			
3		2 PCS			
JCBB	M8 x 16mm	2 PCS			
4					
U-BRACKET					

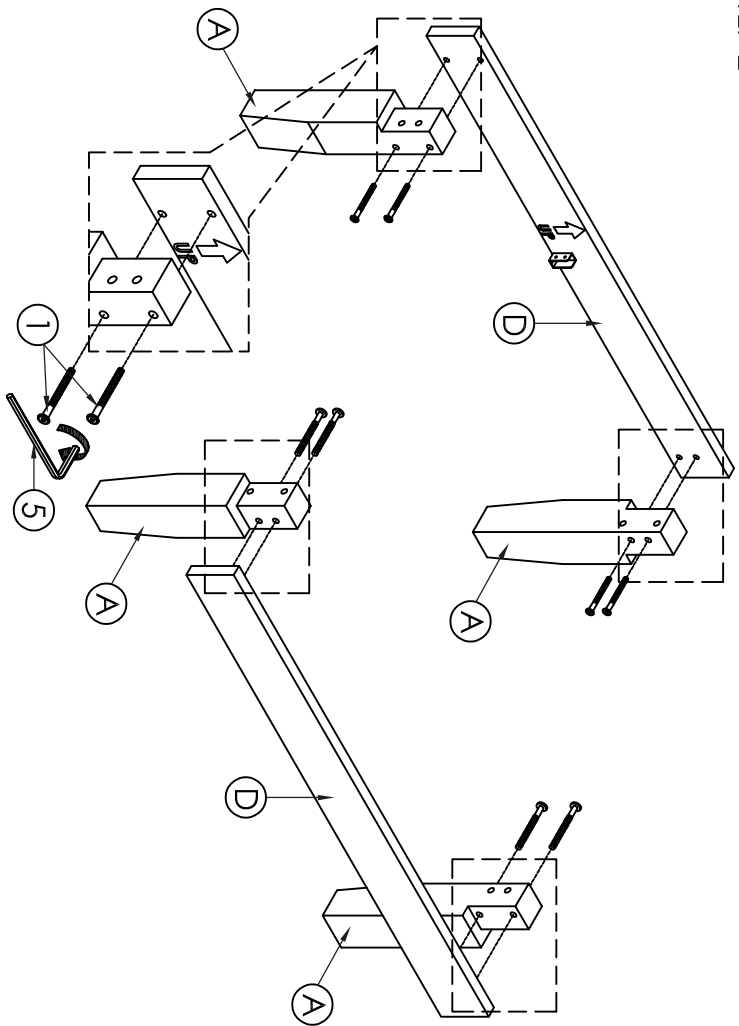
COMPONENT LIST

A		2 PCS	D		2 PCS
LEG		6 PCS	E		2 PCS
B		1 PC	F		2 SETS
SUPPORT LEG					
C					
CENTER RAIL					

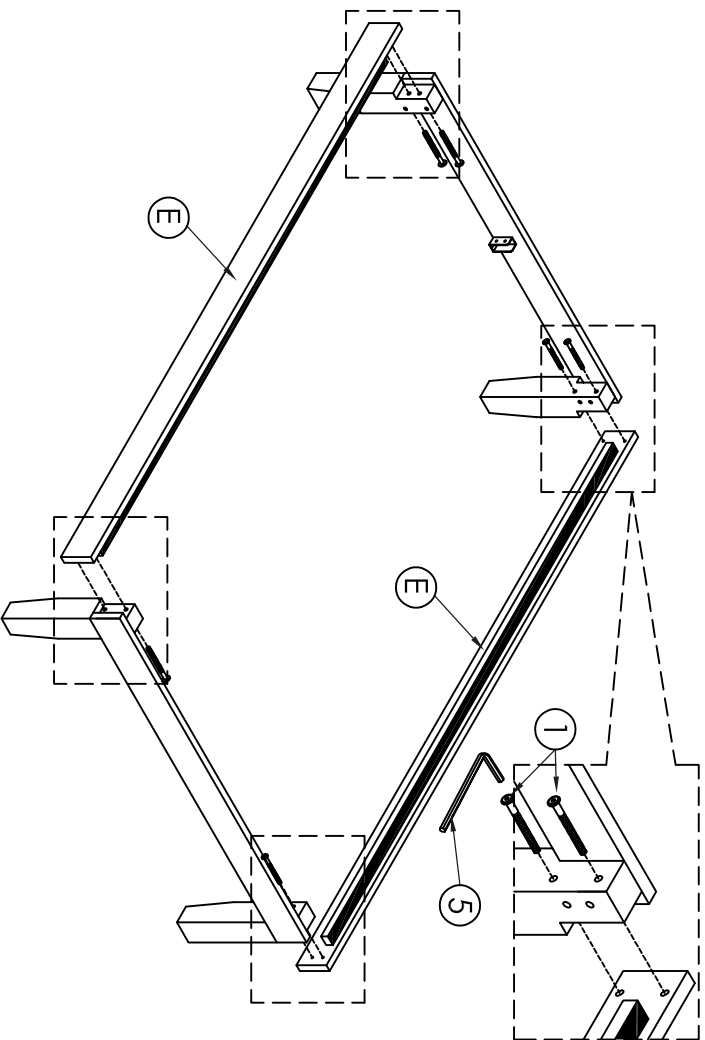
STEP 1



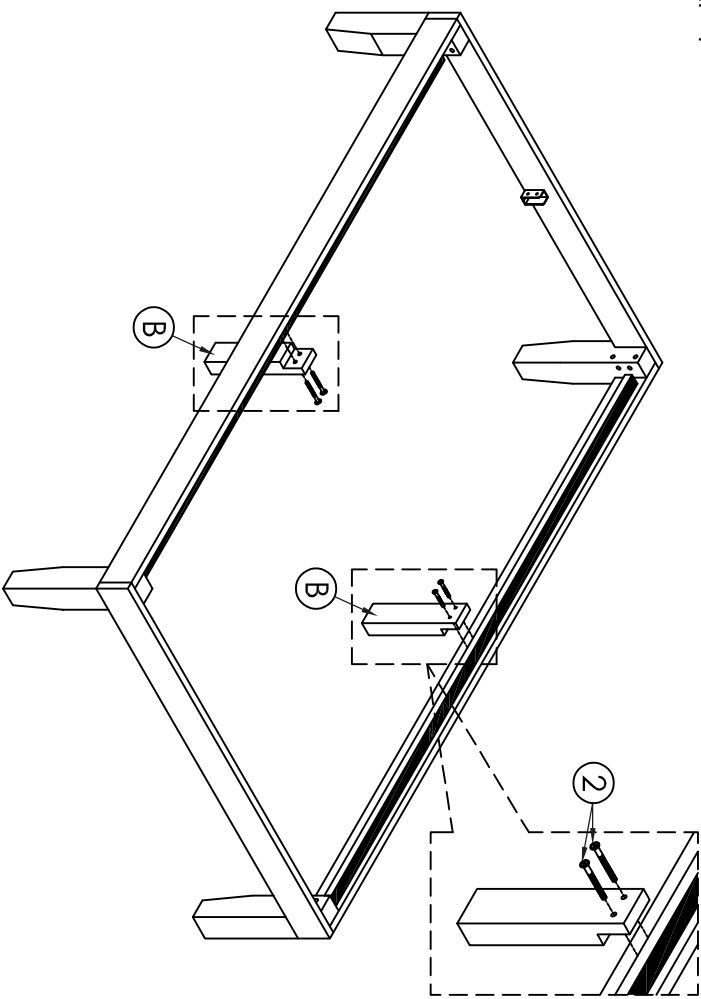
STEP 2



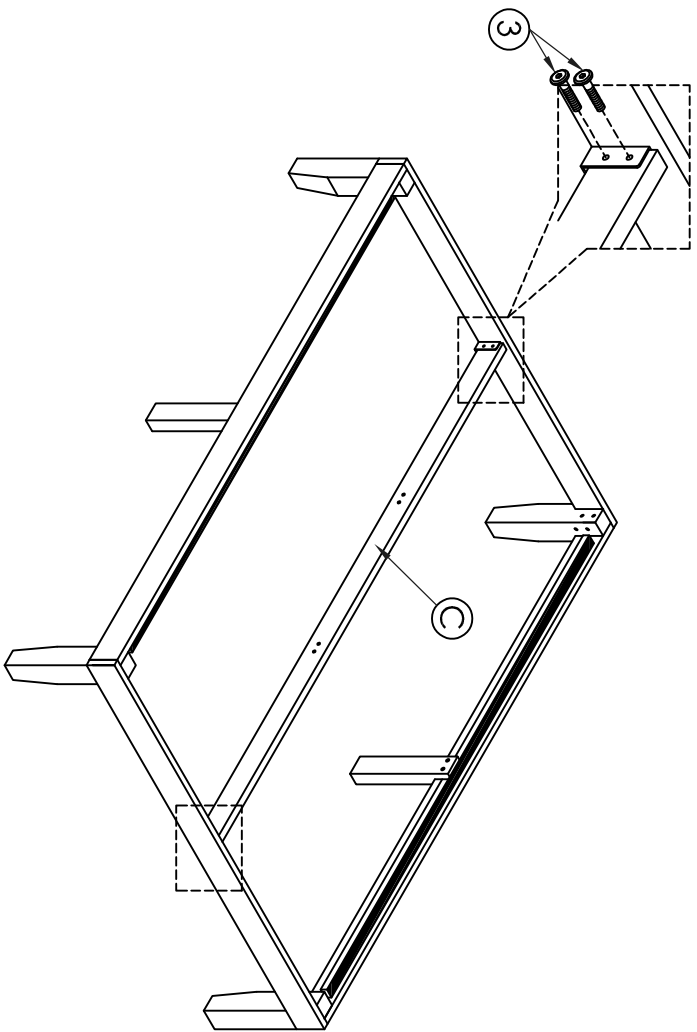
STEP 3



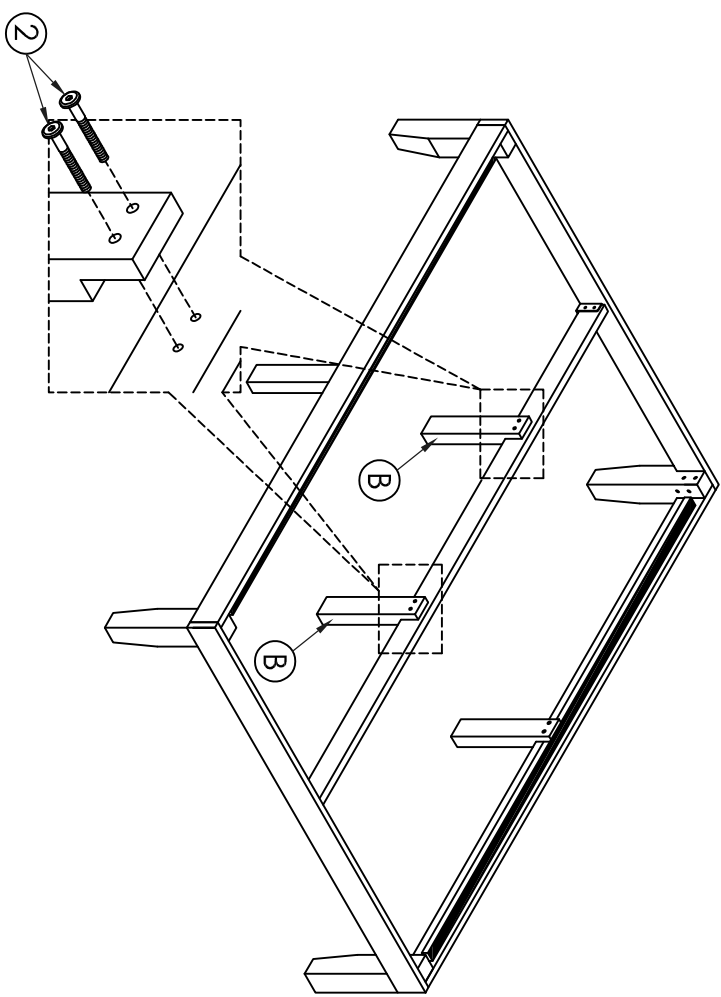
STEP 4



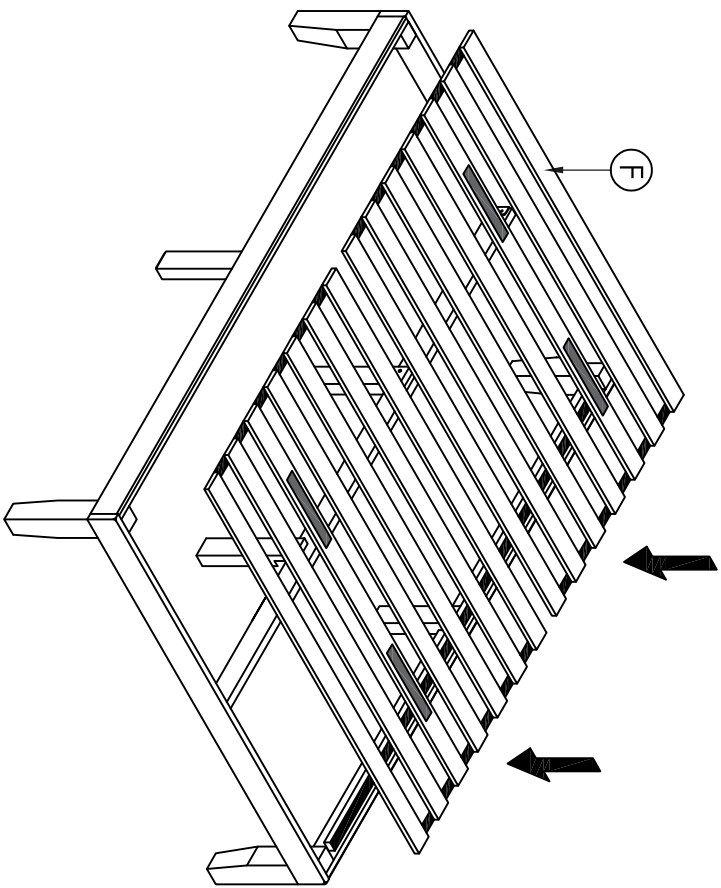
STEP 5



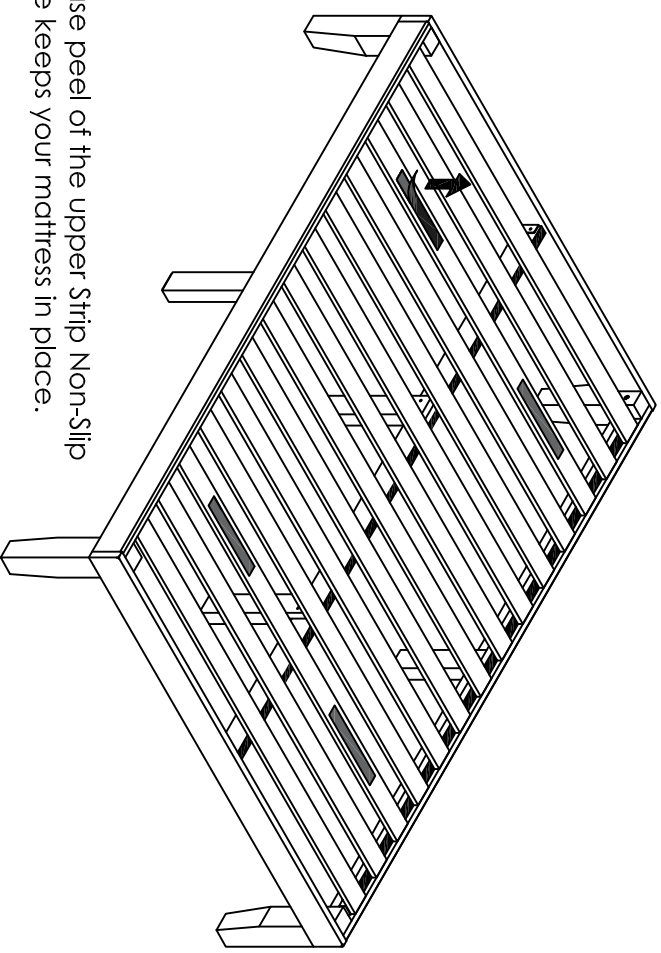
STEP 6



STEP 7



STEP 8



Please peel of the upper Strip Non-slip tape keeps your mattress in place.