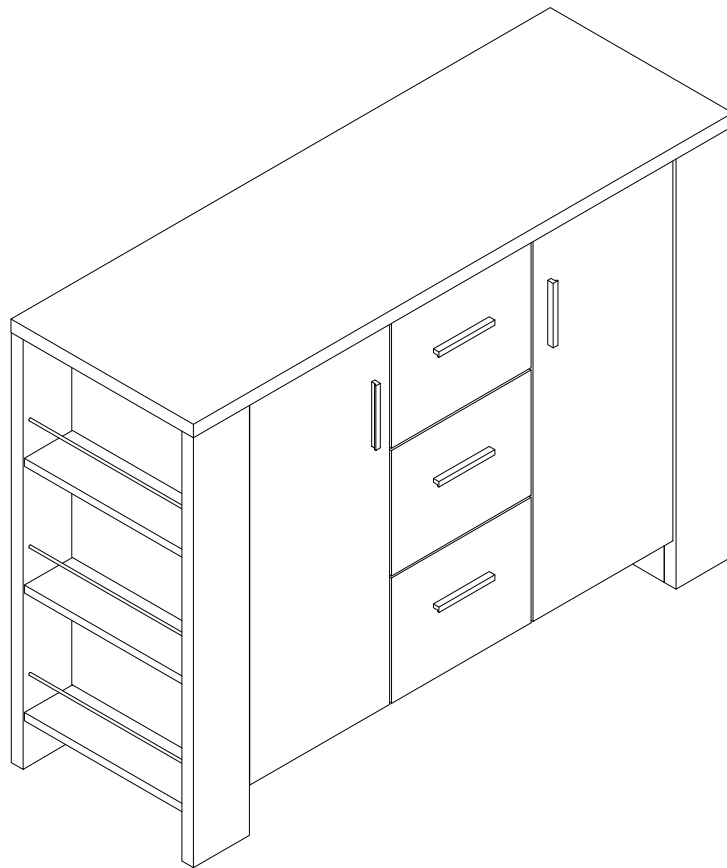


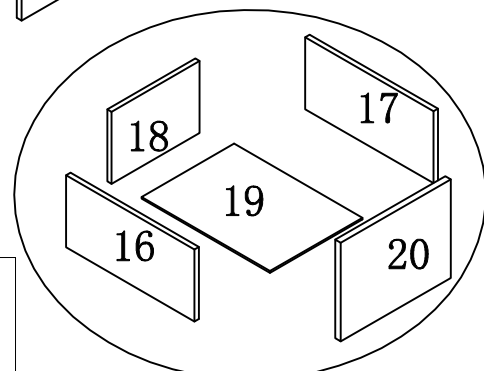
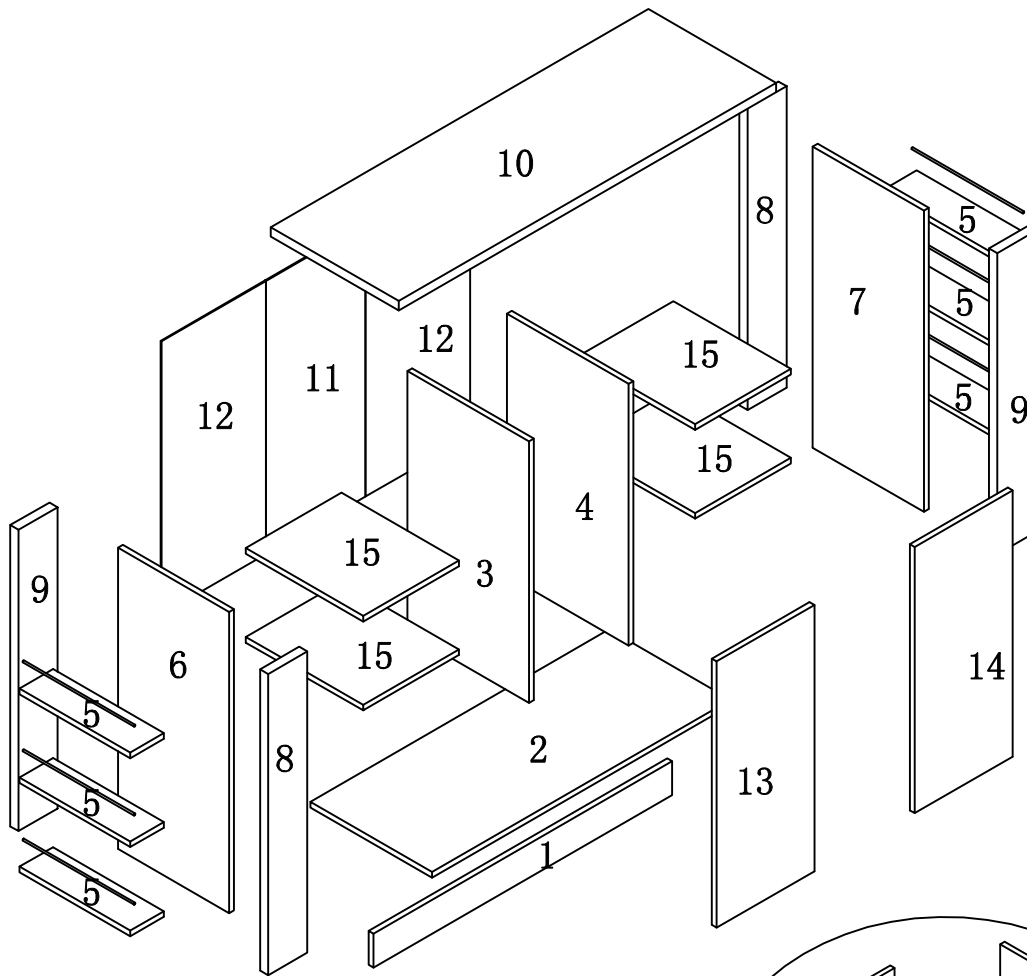
ASSEMBLY INSTRUCTIONS /
INSTRUCTIONS D'ASSEMBLAGE

ITEM NO/NO ARTICLE: BUFFET/BUFFET/DESSERTERIE
11424 172005



PARTS IDENTIFICATIONS / IDENTIFICATION DES PIECES

ITEM NO/NO ARTICLE: BUFFET/BUFFET/DESSERTERIE
11424 172005


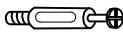

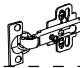
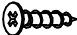





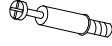

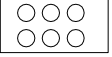
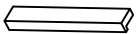




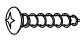
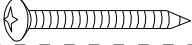
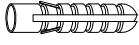



X3

(1)	1pc	(8)	2pcs	(15)	4pcs
(2)	1pc	(9)	2pcs	(16)	3pcs
(3)	1pc	(10)	1pc	(17)	3pcs
(4)	1pc	(11)	1pc	(18)	3pcs
(5)	6pcs	(12)	2pcs	(19)	3pcs
(6)	1pc	(13)	1pc	(20)	3pcs
(7)	1pc	(14)	1pc		

HARDWARE IDENTIFICATIONS/ IDENTIFICATION DU KIT D'ASSEMBLAGE

ITEM NO/NO ARTICLE: BUFFET/BUFFET/DESSERTERTE
11424 172005

A		ø15	35pcs
B		L29	35pcs
C		ø8x25	32pcs
D		ø35	4pcs
E		ø4x16	16pcs
F		ø4x40	4pcs
G		ø5x350	6pcs
H		Z1016	60pcs
I		ø5	16pcs
J		ET12	12pcs
K		L20	12pcs
L		ø4x30	12pcs
M		ø18	16pcs
N		64#	5pcs
O		M4x22	10pcs
P		ø5×9	6pcs
Q		ø16	4pcs
R		197×5×1	1pc
S		ø4×25	1pc
T		ø5×40	1pc
U		ø8×40	1pc
V		12×12×1	2pcs

P

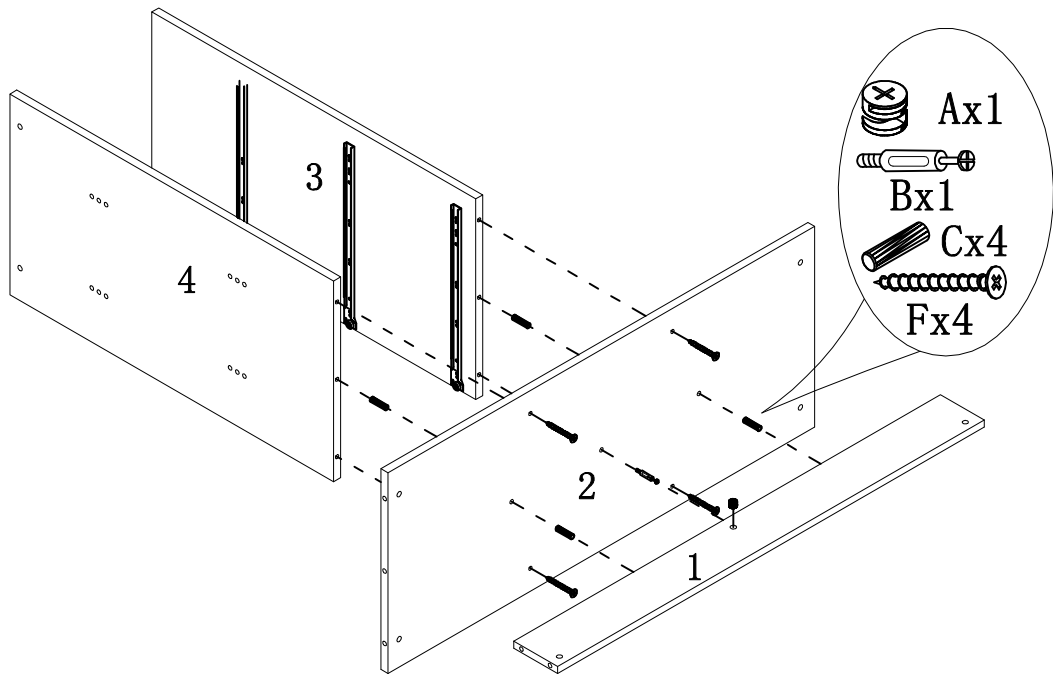


Glue: For securing please apply to wood dowel first before inserting into panel.

Colle: Appliquez de la colle sur les goujons en bois avant de les insérer dans le panneau.

1pc/pces

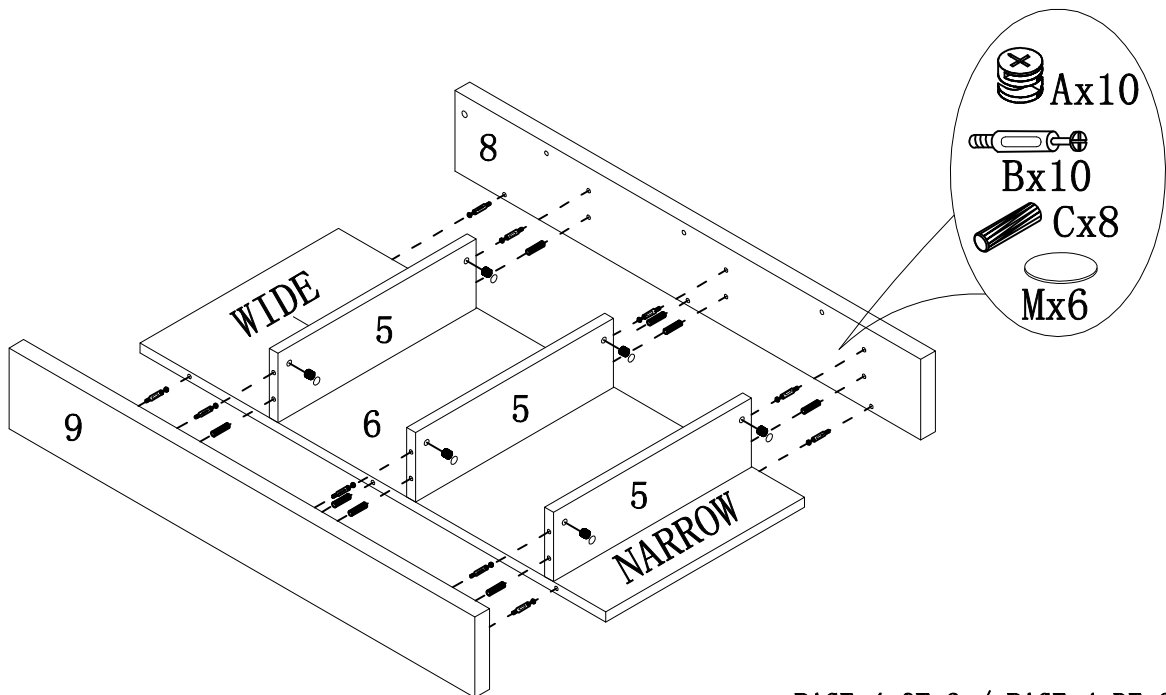
ITEM NO/NO ARTICLE: BUFFET/BUFFET/DESSERTERTE
11424 172005



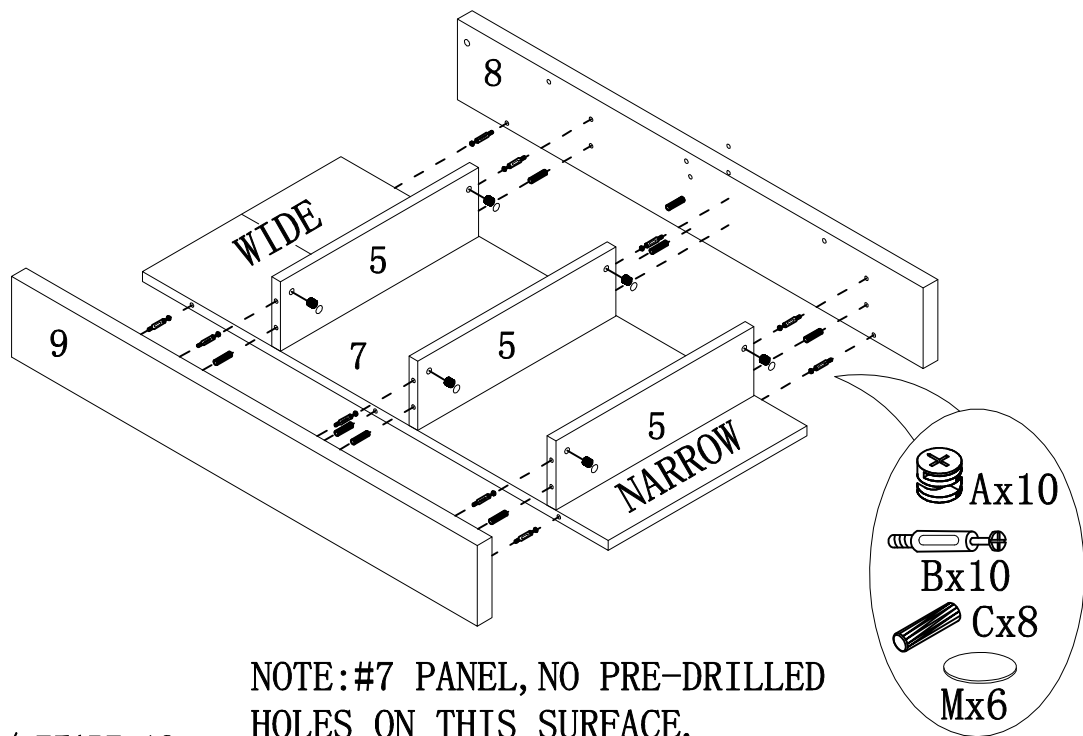
STEP 1 / ETAPE 12

STEP 2 / ETAPE 12

NOTE: #6 PANEL, NO PRE-DRILLED HOLES ON THIS SURFACE.



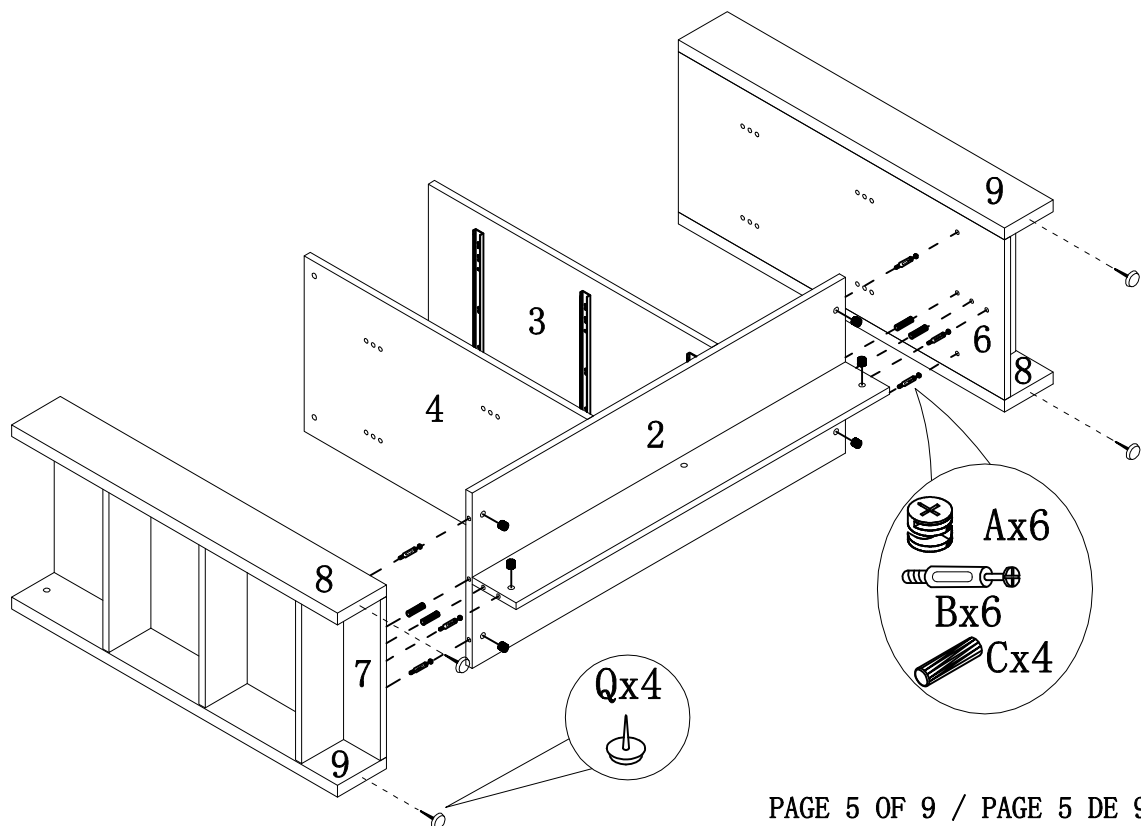
ITEM NO/NO ARTICLE: BUFFET/BUFFET/DESSERTS
11424 172005



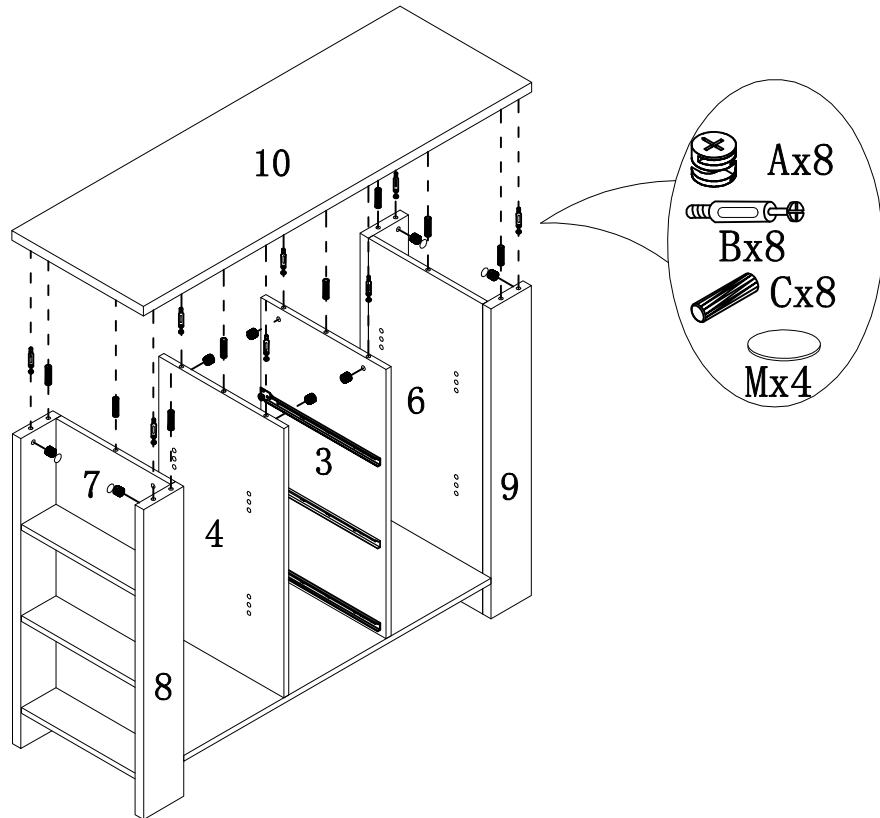
NOTE: #7 PANEL, NO PRE-DRILLED HOLES ON THIS SURFACE.

STEP 3 / ETAPE 12

STEP 4 / ETAPE 12

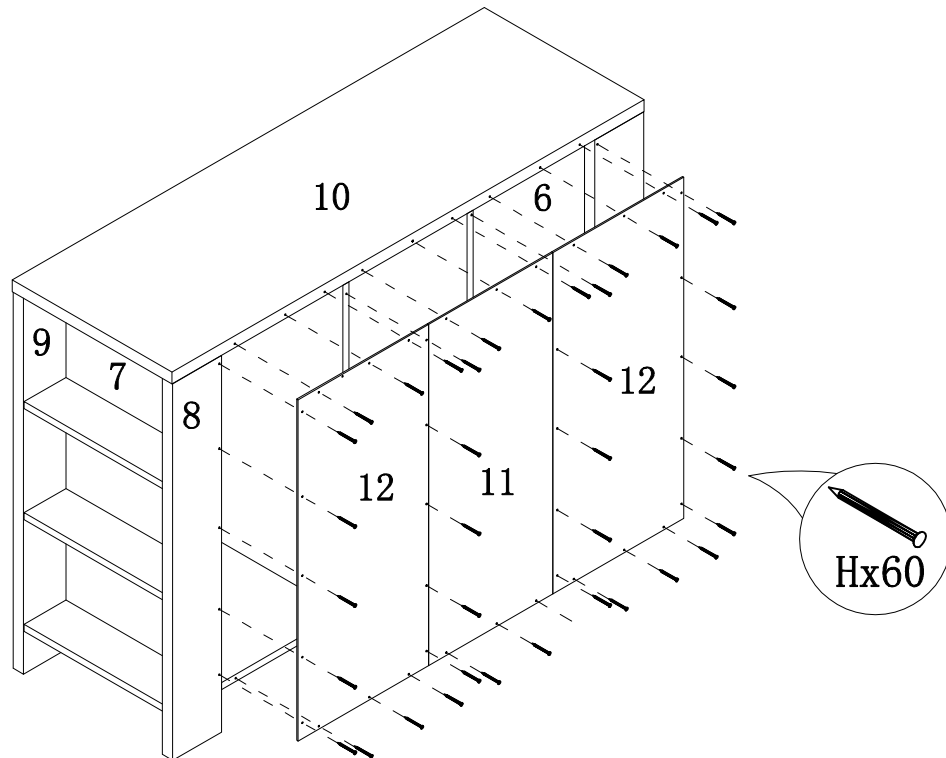


ITEM NO/NO ARTICLE: BUFFET/BUFFET/DESSERTERIE
11424 172005

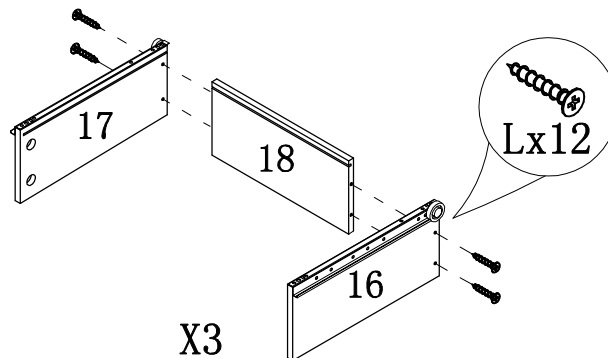


STEP 5 / ETAPE 12

STEP 6 / ETAPE 12

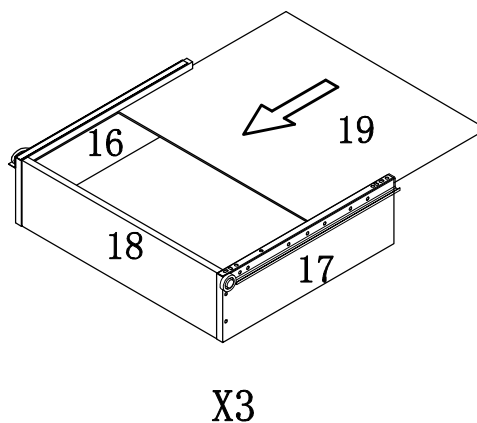


ITEM NO/NO ARTICLE: BUFFET/BUFFET/DESSERTTE
11424 172005

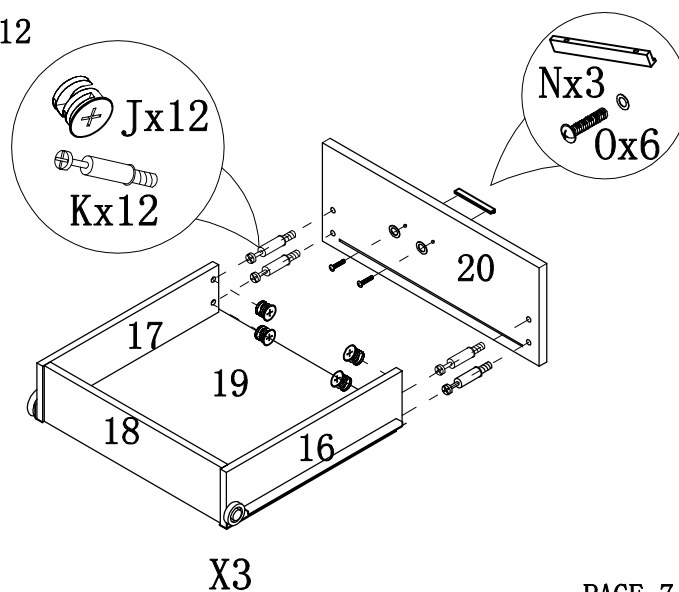


STEP 7 / ETAPE 12

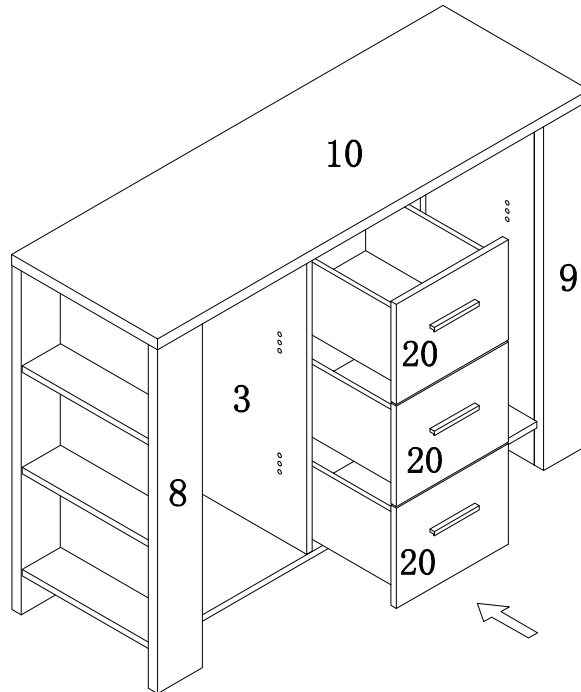
STEP 8 / ETAPE 12



STEP 9 / ETAPE 12

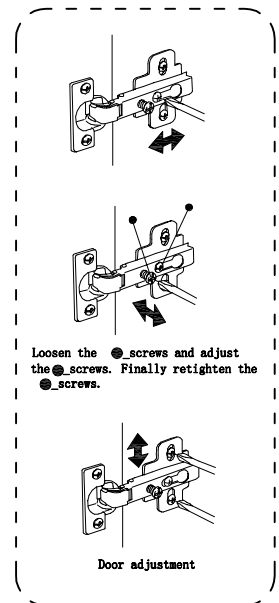
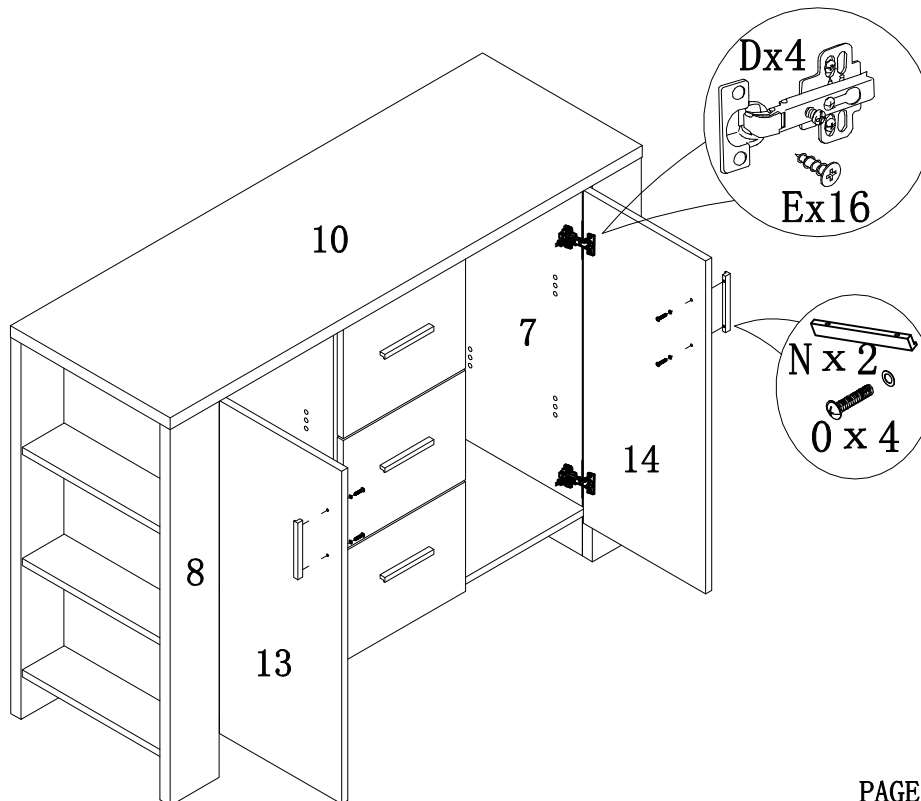


ITEM NO/NO ARTICLE: BUFFET/BUFFET/DESSERTER
11424 172005



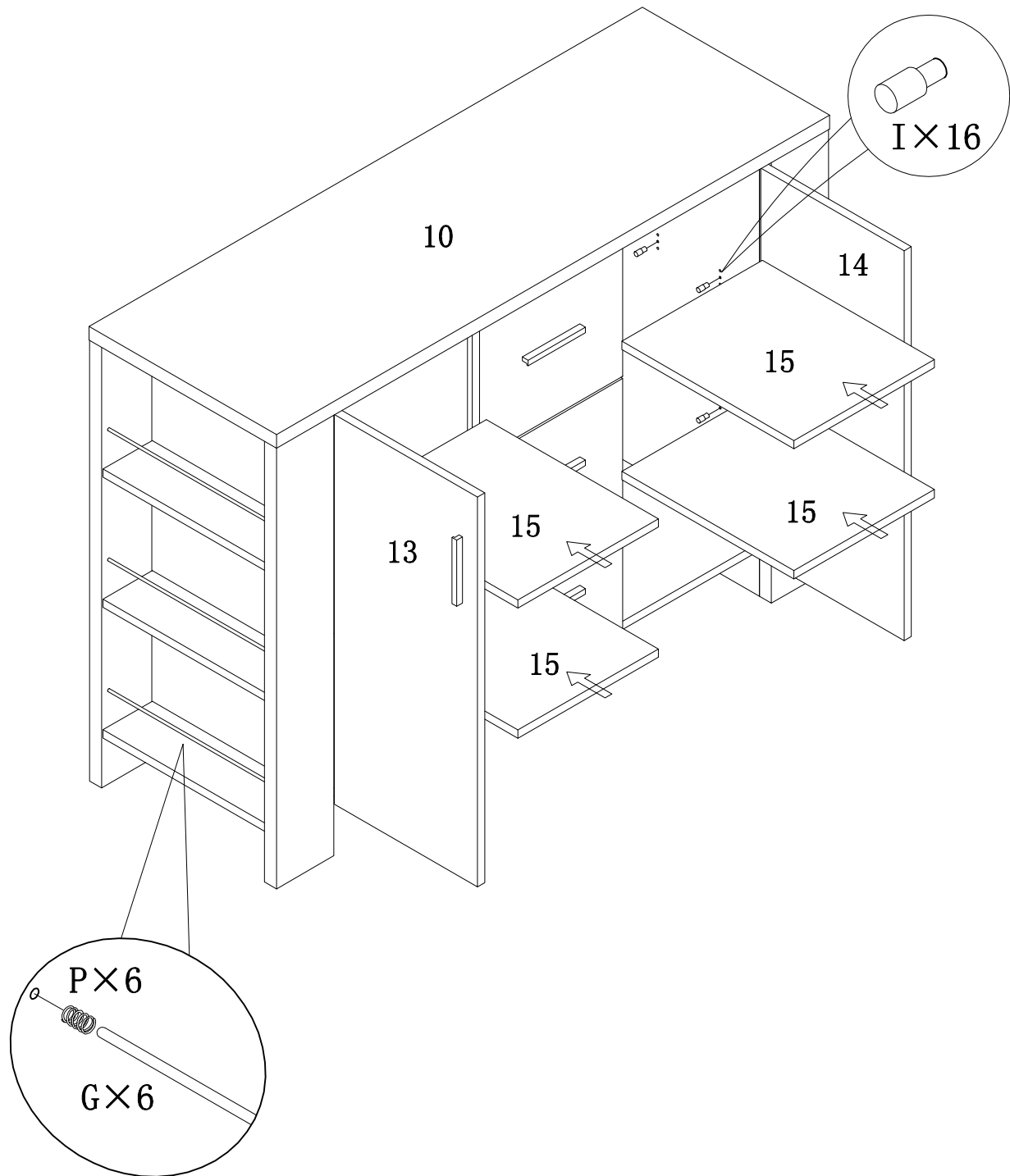
STEP 10 / ETAPE 12

STEP 11 / ETAPE 12



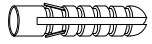
ITEM NO/NO ARTICLE: BUFFET/BUFFET/DESSERTERIE
11424 172005

STEP 12 / ETAPE 12

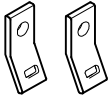


ANTI-TIPPING STRAP INSTRUCTION

HARDWARE (INCLUDED) :



DRYWALL ANCHOR $\phi 8 \times 40$ X 1PC



METAL BRACKETS $12 \times 12 \times 1$ X 2PCS



DRYWALL SCREW $\phi 5 \times 40$ X 1PC

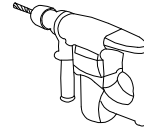


STRAP $197 \times 5 \times 1$ X 1PC



FLATHEAD SCREW $\phi 4 \times 25$ X 1PC

TOOLS NEEDED (NOT INCLUDED) :



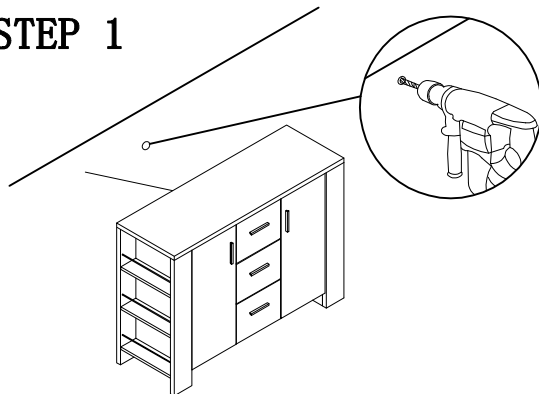
DRILL & DRILL BIT



LIGHT HAMMER

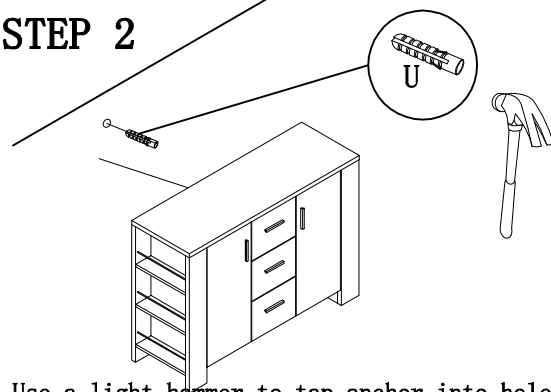
Note: Hardware included only compatible with standard drywalls.

STEP 1



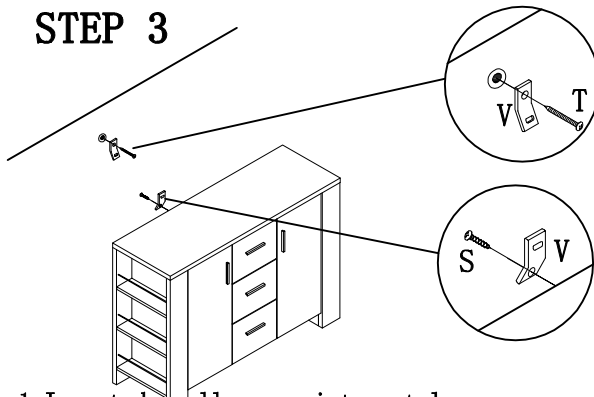
1. Find spot on wall 1" below top of item.
2. Using a drill bit slightly thinner than anchor, drill hole into drywall.

STEP 2



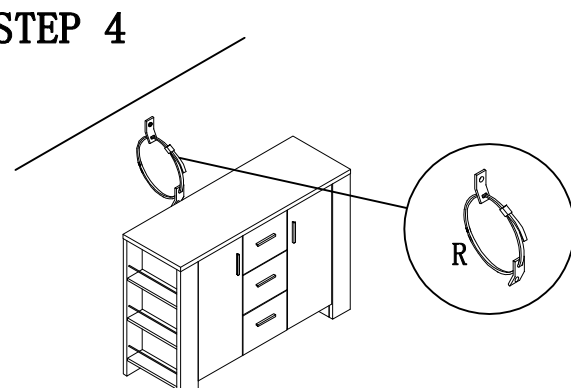
1. Use a light hammer to tap anchor into hole.
2. Anchor should fit snugly. If hole is too small, drill again to increase hole size. Do not force anchor into wall.

STEP 3



1. Insert drywall screw into metal bracket and into drywall anchor.
2. Insert flathead screw into second metal bracket and into back of item along top edge.

STEP 4



1. Insert strap thru bracket attached to wall, then thru bracket on item, and into head of strap.
 2. pull lightly til strap stops.
- Assembly is complete.