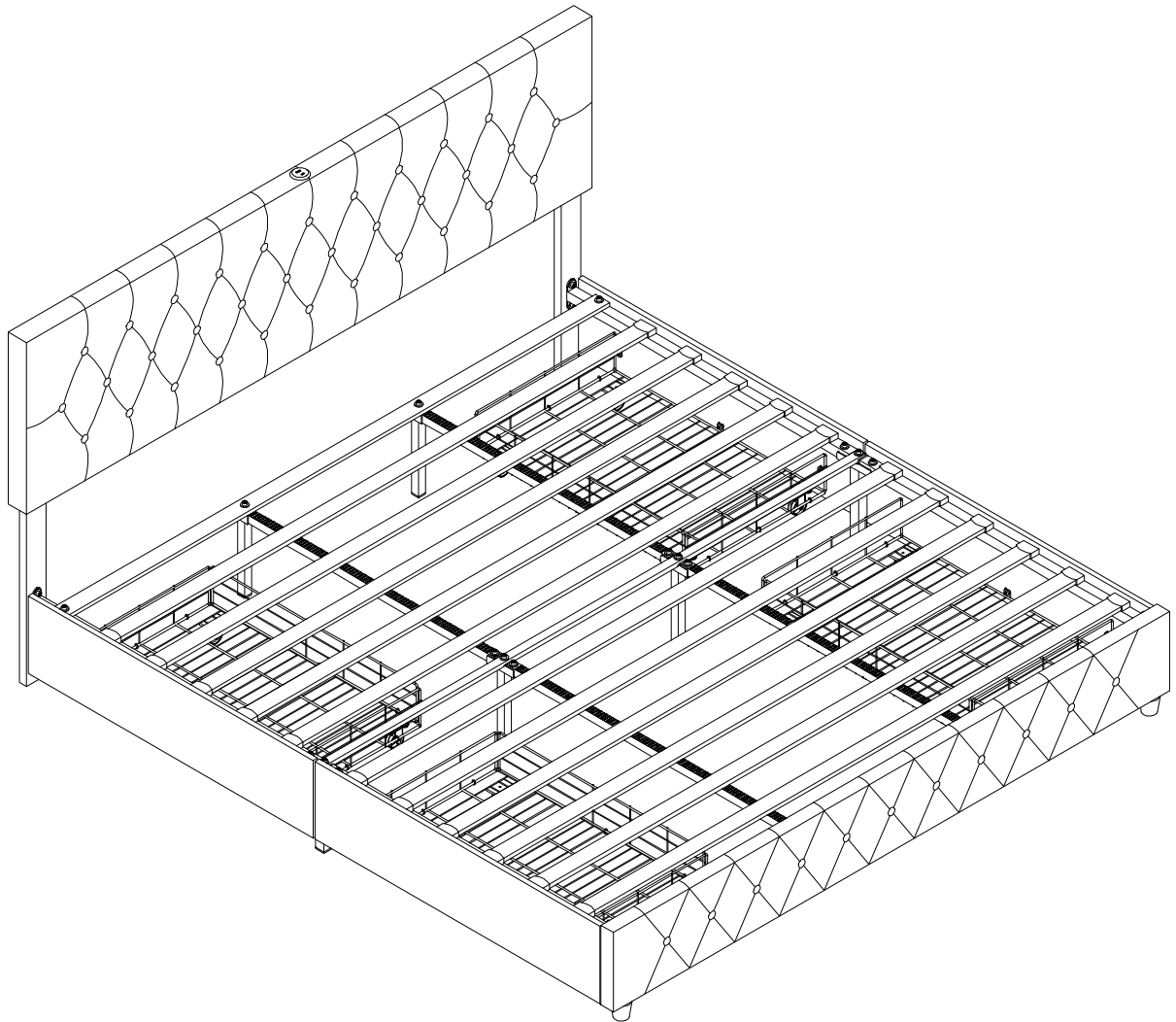
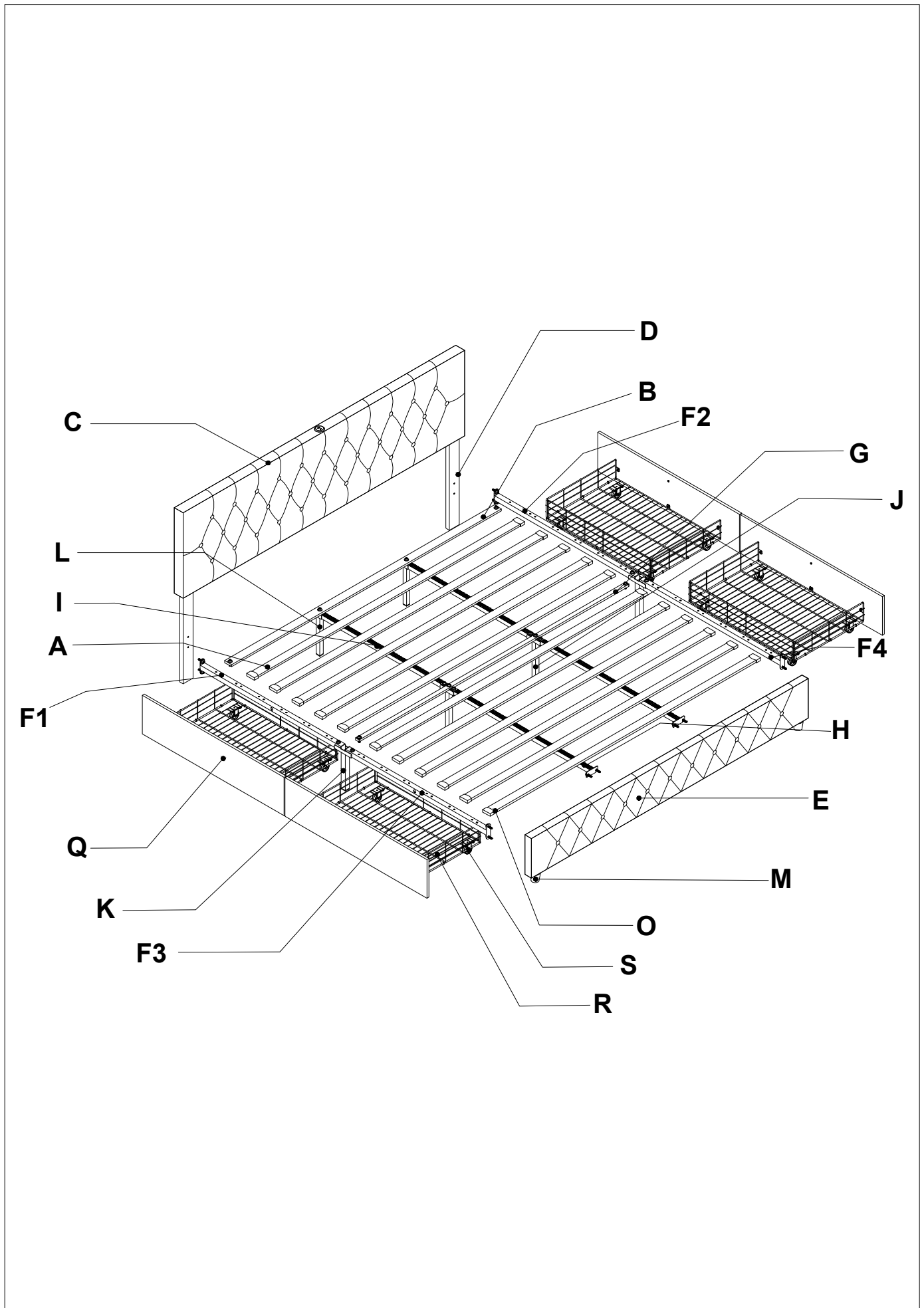


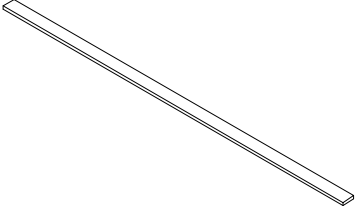
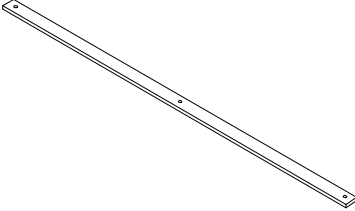
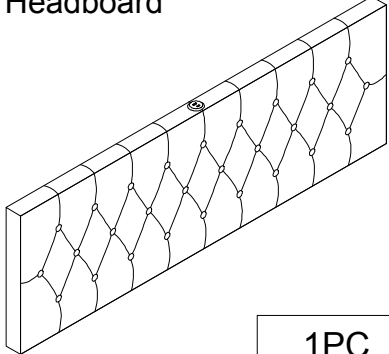

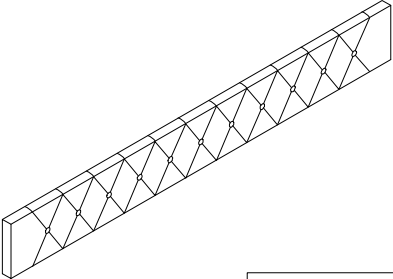
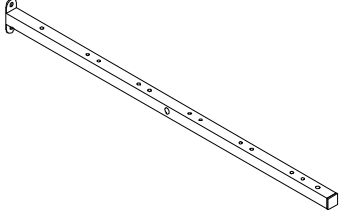
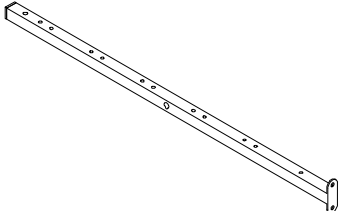
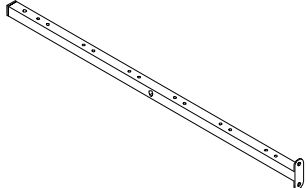
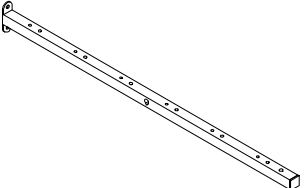
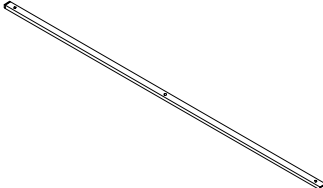
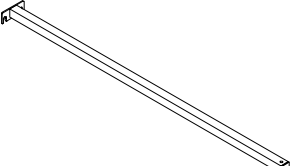
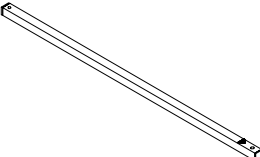
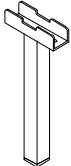
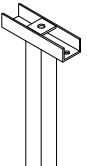

# ASSEMBLY INSTRUCTION INSTRUCTIONS D'ASSEMBLAGE




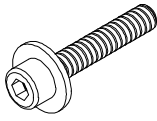
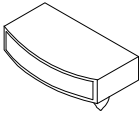
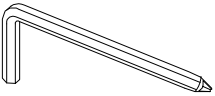
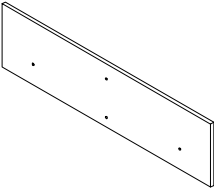


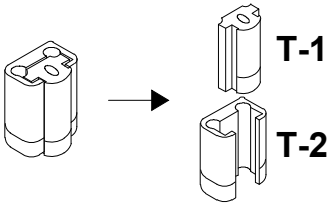

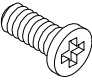
22025 KING PLATFORM BED / LIT PLATEFORME KING



# Parts List(EN) / Teile Liste(DE)

<p><b>A</b> Slat</p>  <p>11PCS</p>	<p><b>B</b> Middle cross beam</p>  <p>1PC</p>	<p><b>C</b> Headboard</p>  <p>1PC</p>
<p><b>D</b> Headboard side leg</p>  <p>2PCS</p>	<p><b>E</b> Footboard</p>  <p>1PC</p>	<p><b>F1</b> Side cross beam</p>  <p>1PC</p>
<p><b>F2</b> Side cross beam</p>  <p>1PC</p>	<p><b>F3</b> Side cross beam</p>  <p>1PC</p>	<p><b>F4</b> Side cross beam</p>  <p>1PC</p>
<p><b>G</b> Middle cross beam</p>  <p>1PC</p>	<p><b>H</b> Back Middle cross beam</p>  <p>2PCS</p>	<p><b>I</b> Front Middle cross beam</p>  <p>2PCS</p>
<p><b>J</b> Middle leg</p>  <p>2PCS</p>	<p><b>K</b> Edge of the foot</p>  <p>2PCS</p>	<p><b>L</b> Front Leg</p>  <p>2PCS</p>

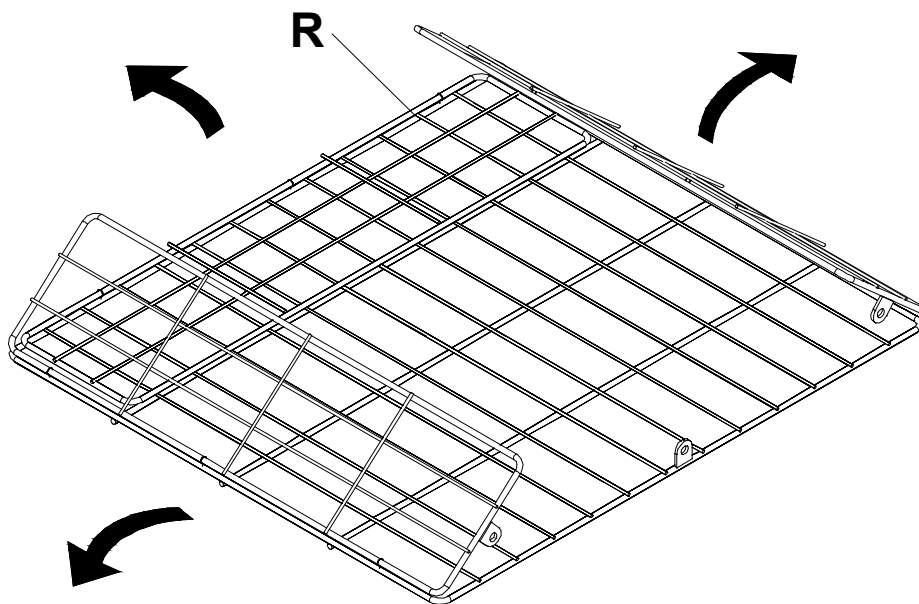
# Parts List(EN) / Teile Liste(DE)

<p><b>M</b> Bed leg</p>  <p>2PCS</p>	<p><b>N</b> Innerscrew</p>  <p>M8×45mm 20+1PCS</p>	<p><b>O</b> Edge slab</p>  <p>22+2PCS</p>
<p><b>P</b> Inner allen wrench</p>  <p>1PC</p>	<p><b>Q</b> Drawer panel</p>  <p>4PCS</p>	<p><b>R</b> Drawer</p>  <p>4PCS</p>
<p><b>S</b> Drawer wheel</p>  <p>16PCS</p>	<p><b>T</b> Drawer connector</p>  <p>8PCS</p>	<p><b>U</b> Screw</p>  <p>M6×6mm 16+2PCS</p>
<p><b>V</b> Screw</p>  <p>M6×15mm 12PCS</p>		

# Assembly Steps(EN) / Montageschritte(DE)

## STEP 1 / ÉTAPE 1

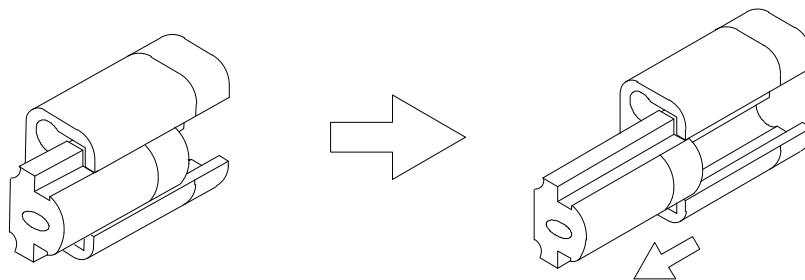
Unfold the drawer sides



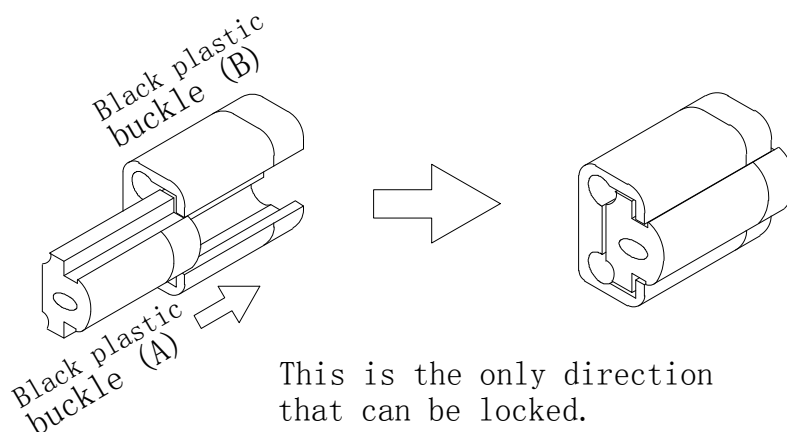
**x4**

## STEP 2 / ÉTAPE 2

Get the part T Drawer Connector out



You can pull the buckle out by following the direction indicated by the arrow

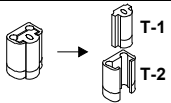
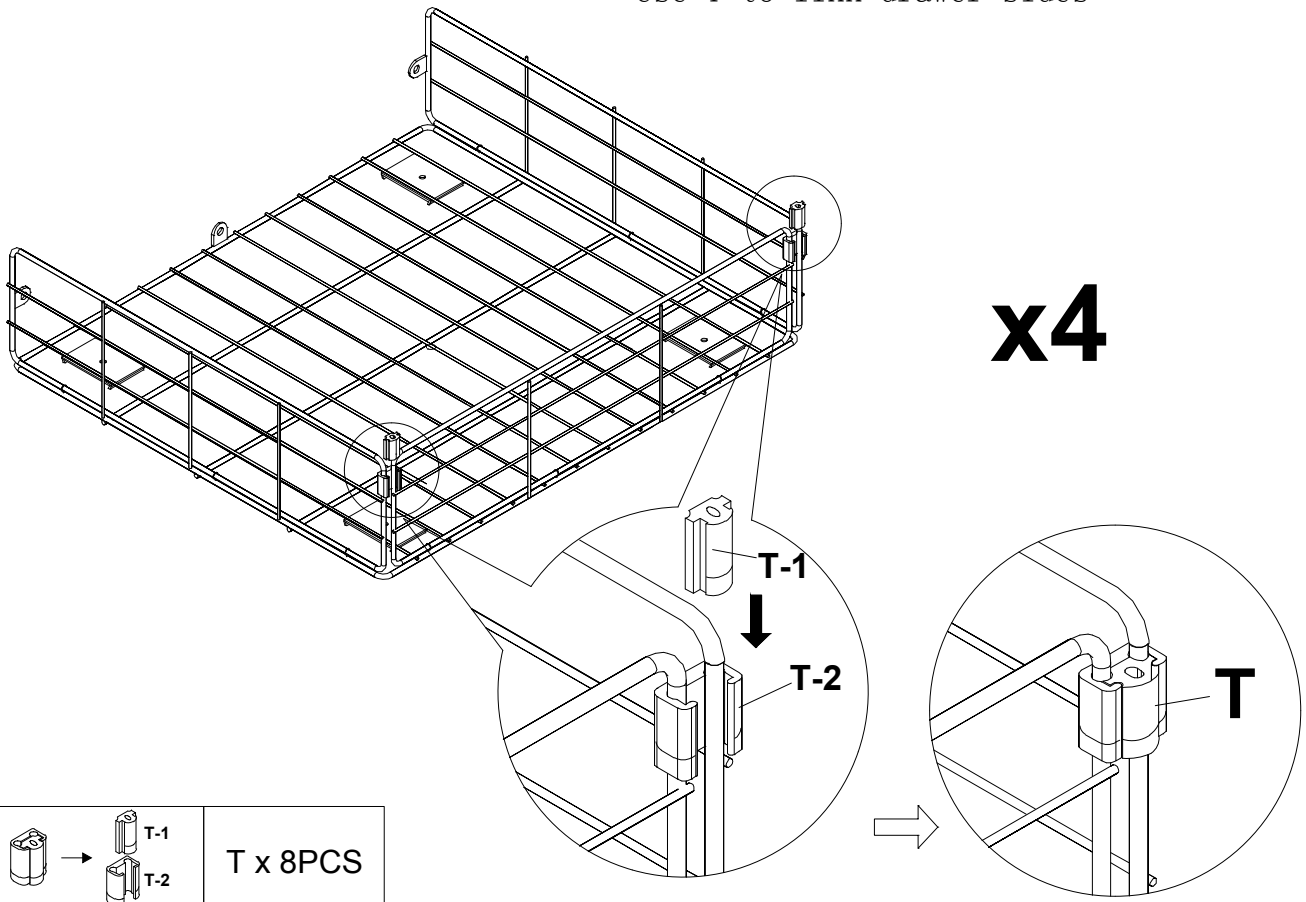


This is the only direction that can be locked.

# Assembly Steps(EN) / Montageschritte(DE)

## STEP 3 / ÉTAPE 3

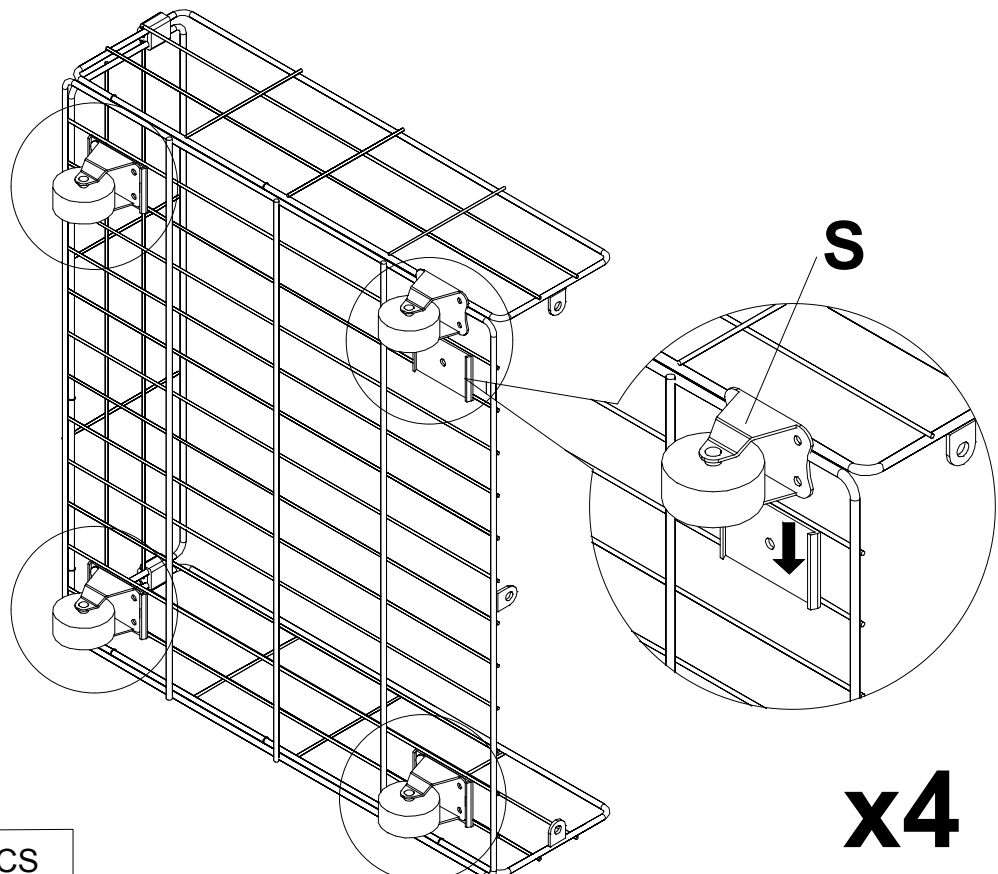
Use T to link drawer sides



T x 8PCS

## STEP 4 / ÉTAPE 4

Insert wheels into slot from side

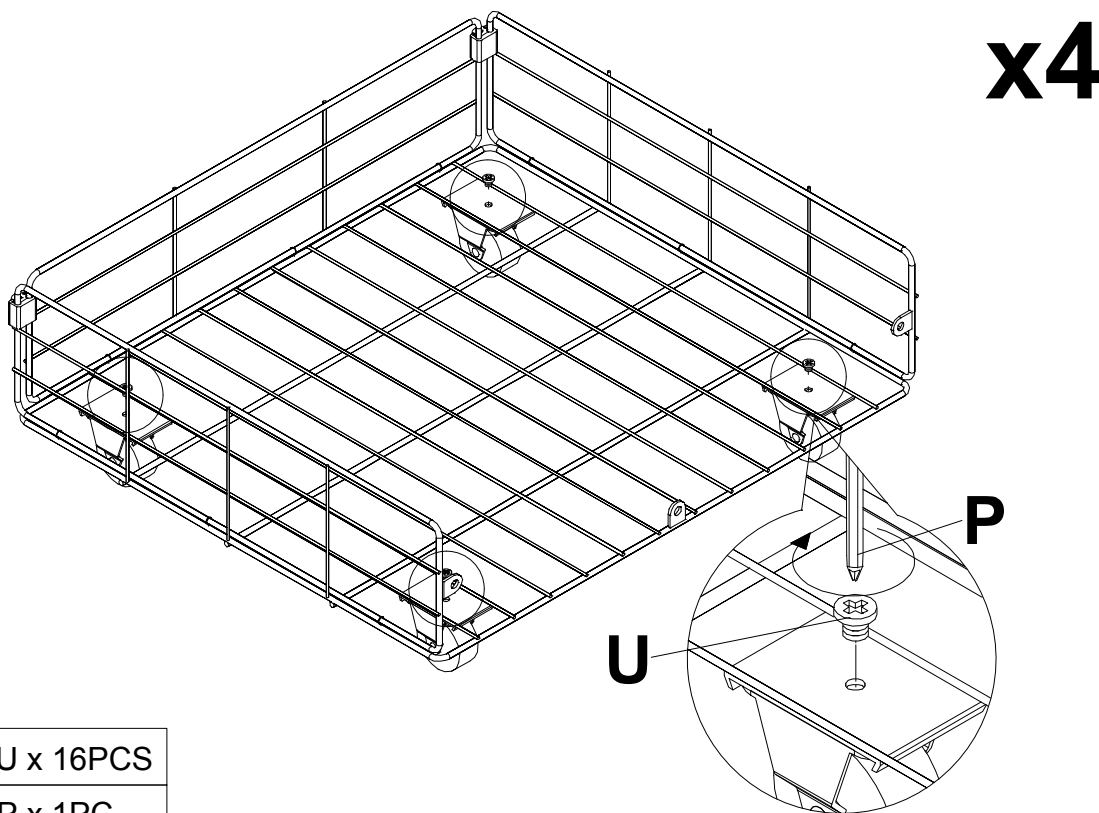


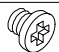

S x 16PCS

# Assembly Steps(EN) / Montageschritte(DE)

## STEP 5 / ÉTAPE 5

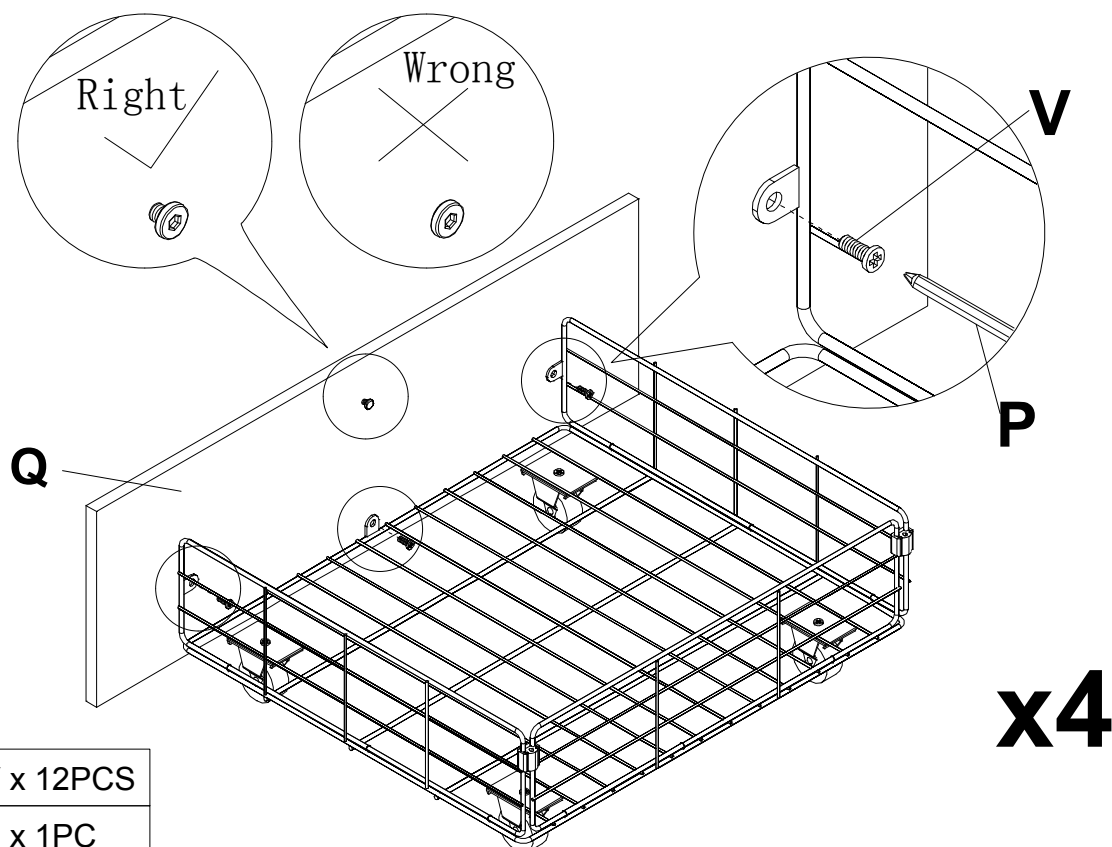
Secure the wheels with screws U





	U x 16PCS
	P x 1PC

## STEP 6 / ÉTAPE 6

Install Screw #V into drawer board Q

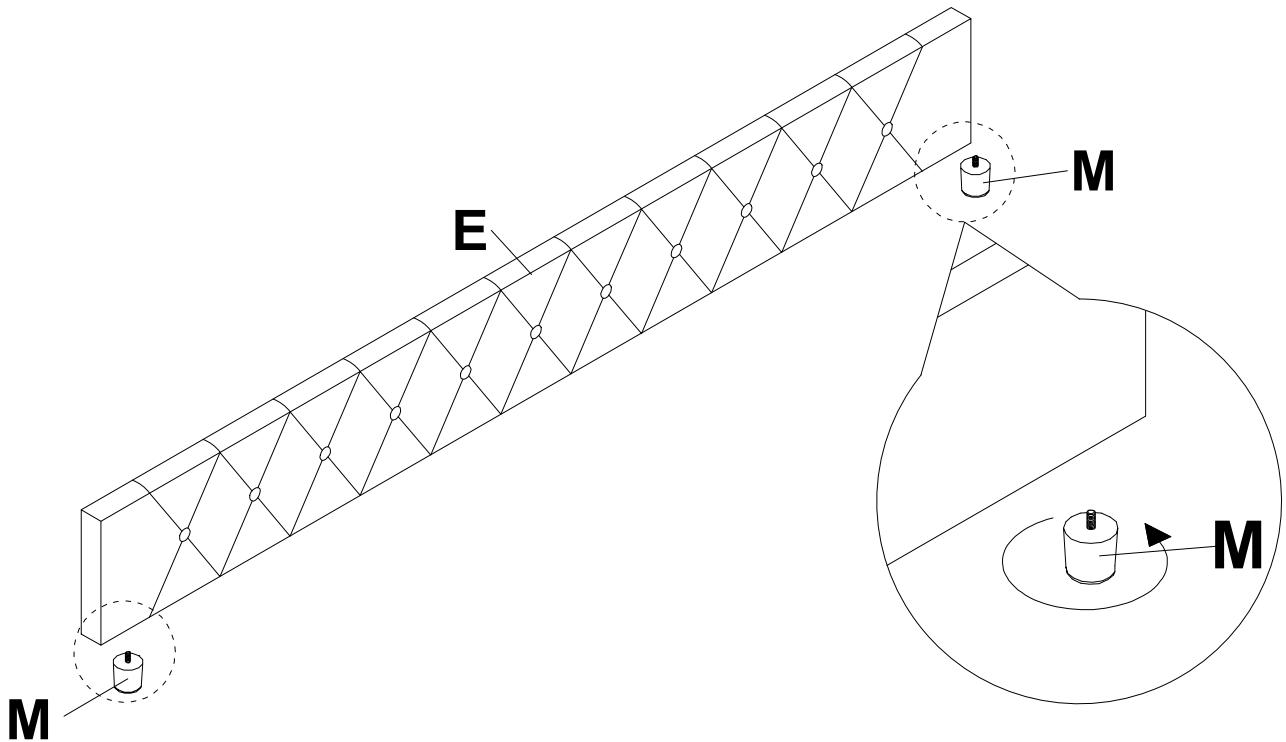


	V x 12PCS
	P x 1PC

# Assembly Steps(EN) / Montageschritte(DE)

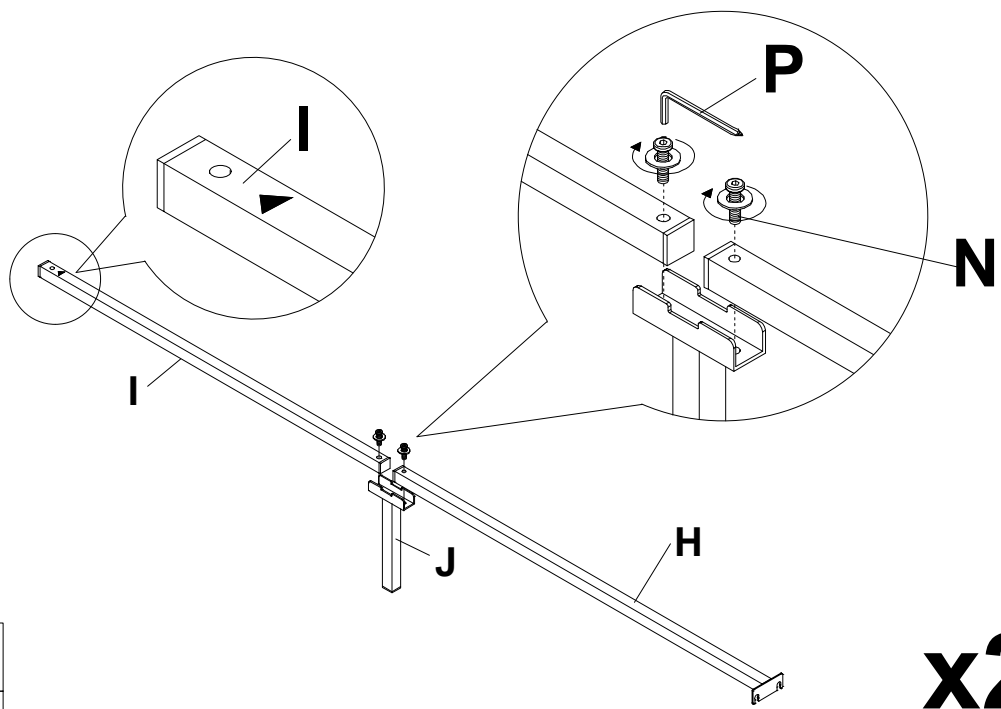
## STEP 7 / ÉTAPE 7


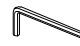
Install bed leg M into footboard E



## STEP 8 / ÉTAPE 8

Please note the middle crossbeam (part I), which needs to be installed in the direction of the red arrow as shown in the picture, with the red arrow pointing to the front.



	N x 4pcs
	P x 1pc

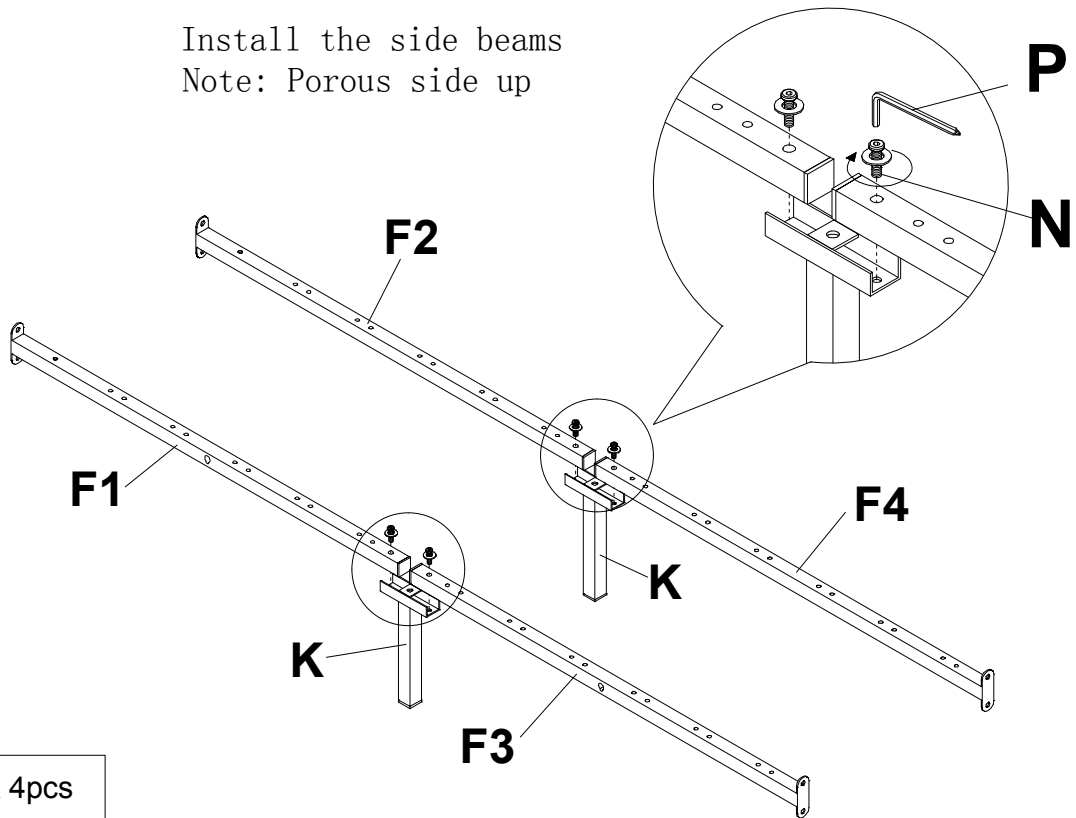
**x2**

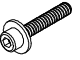



# Assembly Steps(EN) / Montageschritte(DE)

## STEP 9 / ÉTAPE 9

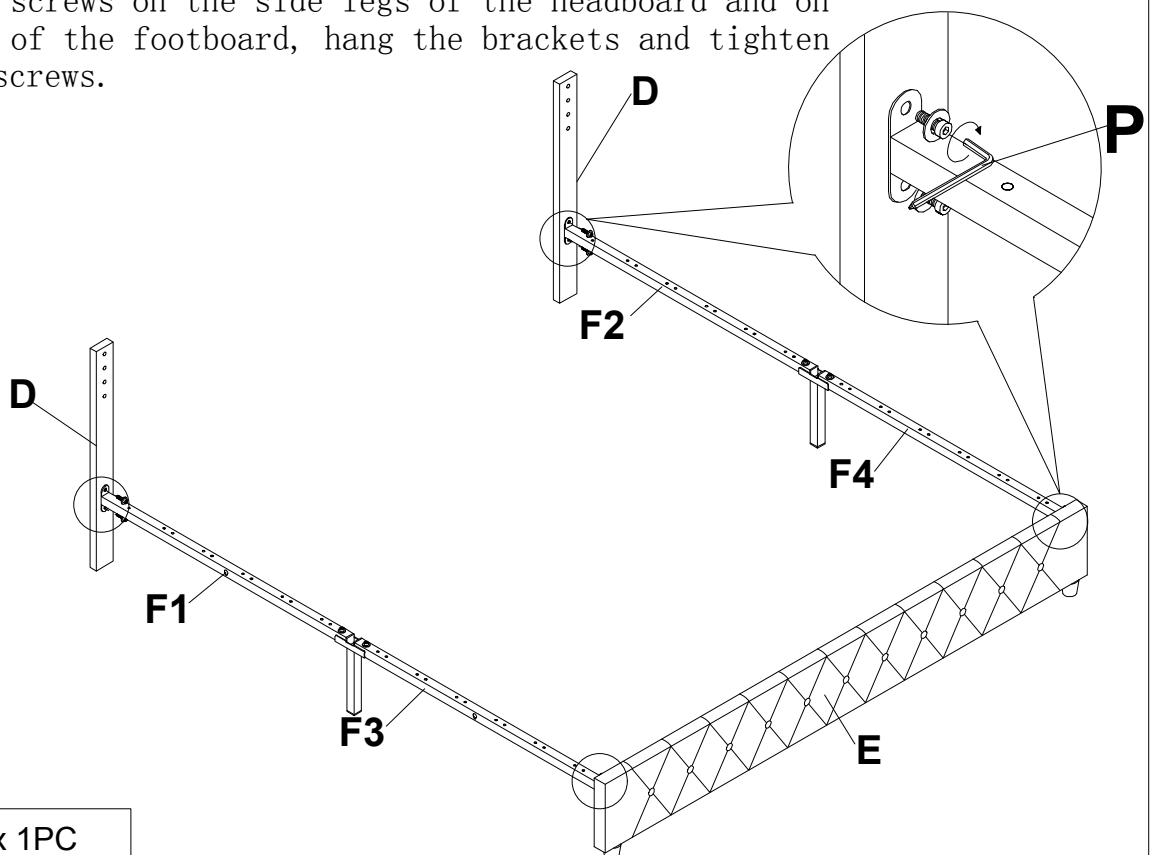
Install the side beams  
Note: Porous side up




	N x 4pcs
	P x 1pc

## STEP 10 / ÉTAPE 10

Loosen the screws on the side legs of the headboard and on both sides of the footboard, hang the brackets and tighten the inner screws.

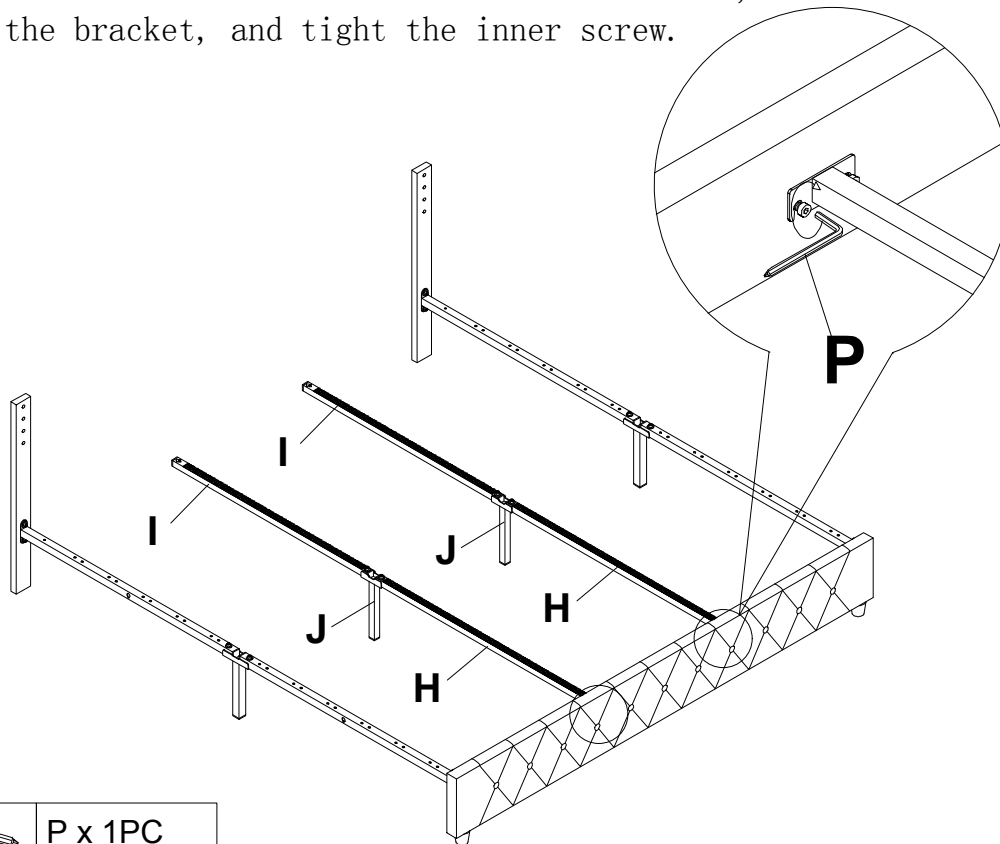


	P x 1PC
---	---------

# Assembly Steps(EN) / Montageschritte(DE)

## STEP 11 / ÉTAPE 11

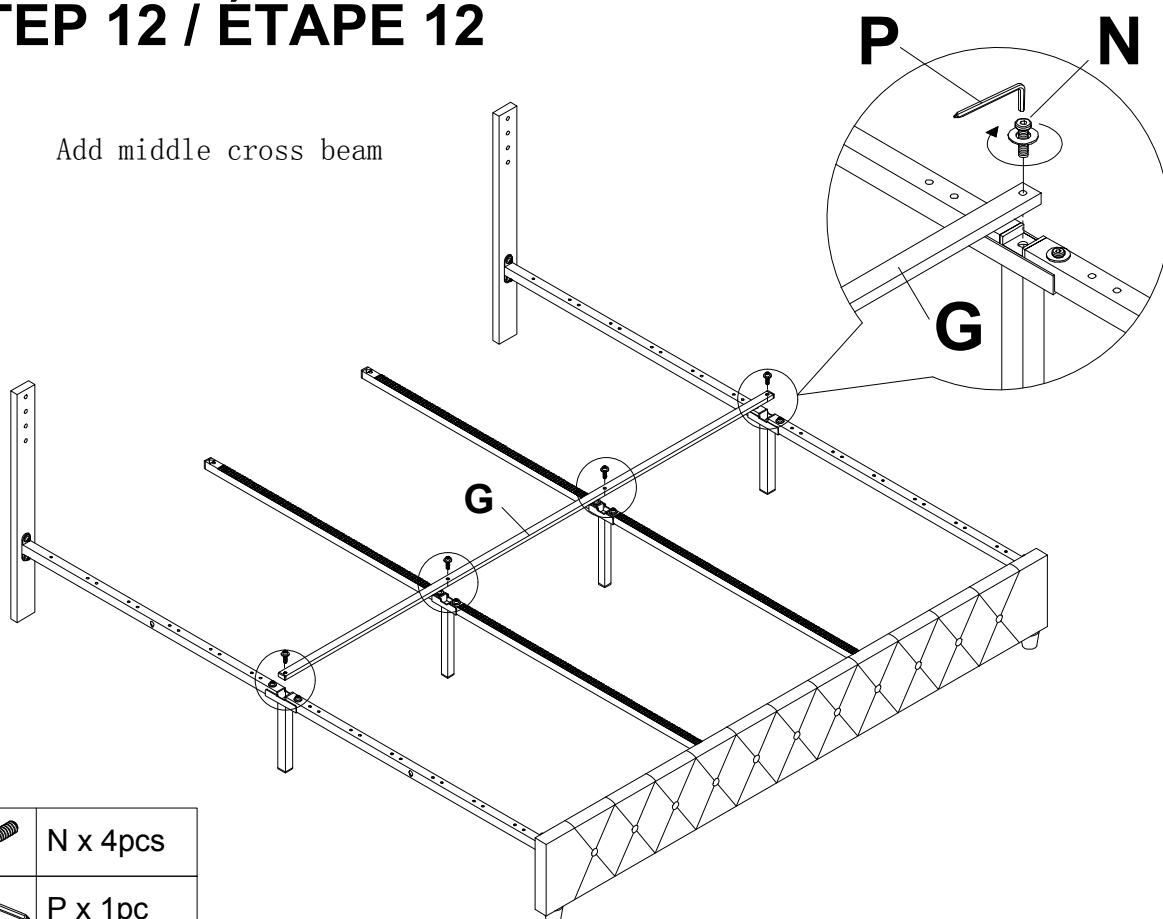
Loosen the screw in the middle of the footboard, hang the bracket, and tight the inner screw.



P x 1PC

## STEP 12 / ÉTAPE 12

Add middle cross beam



N x 4pcs

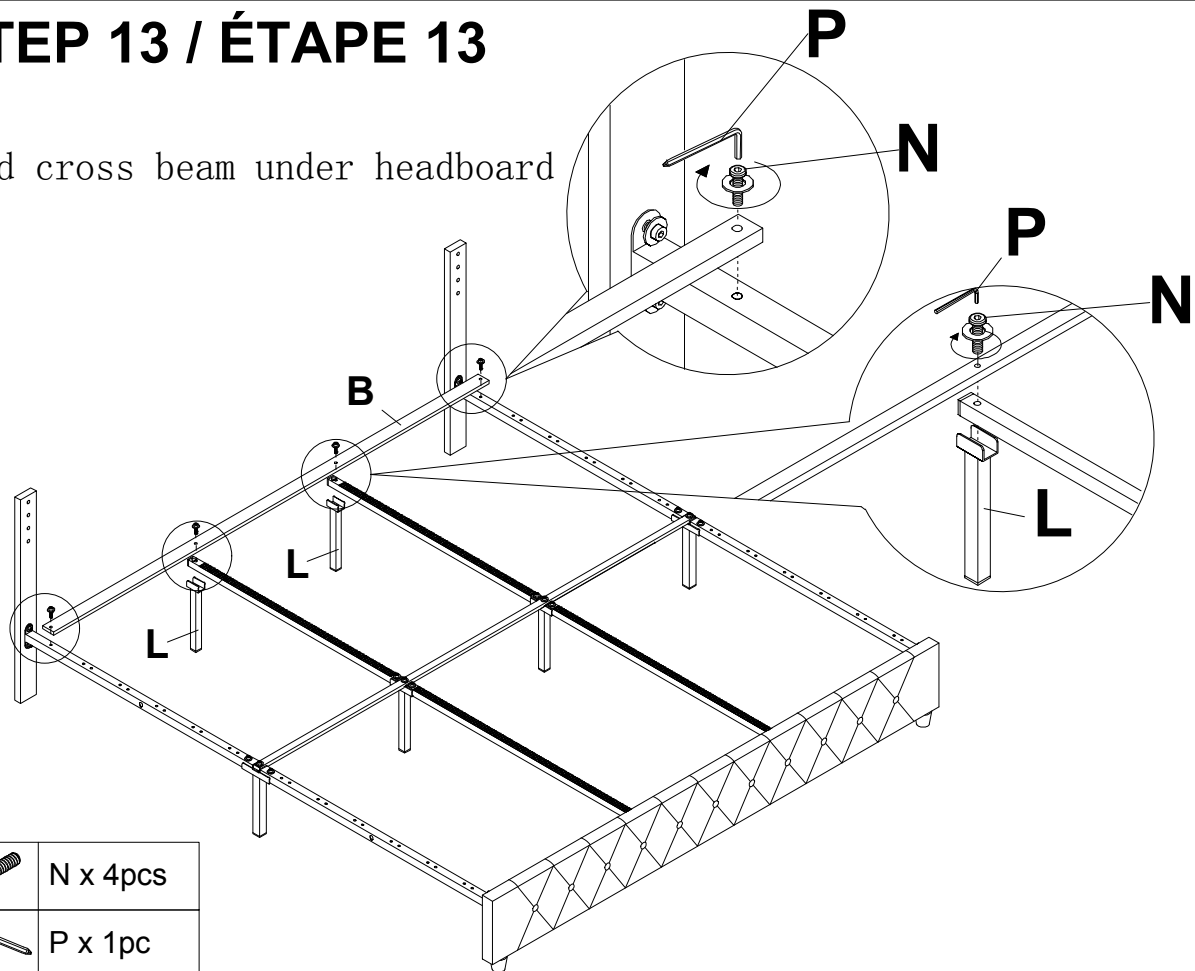


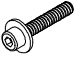

P x 1pc

# Assembly Steps(EN) / Montageschritte(DE)

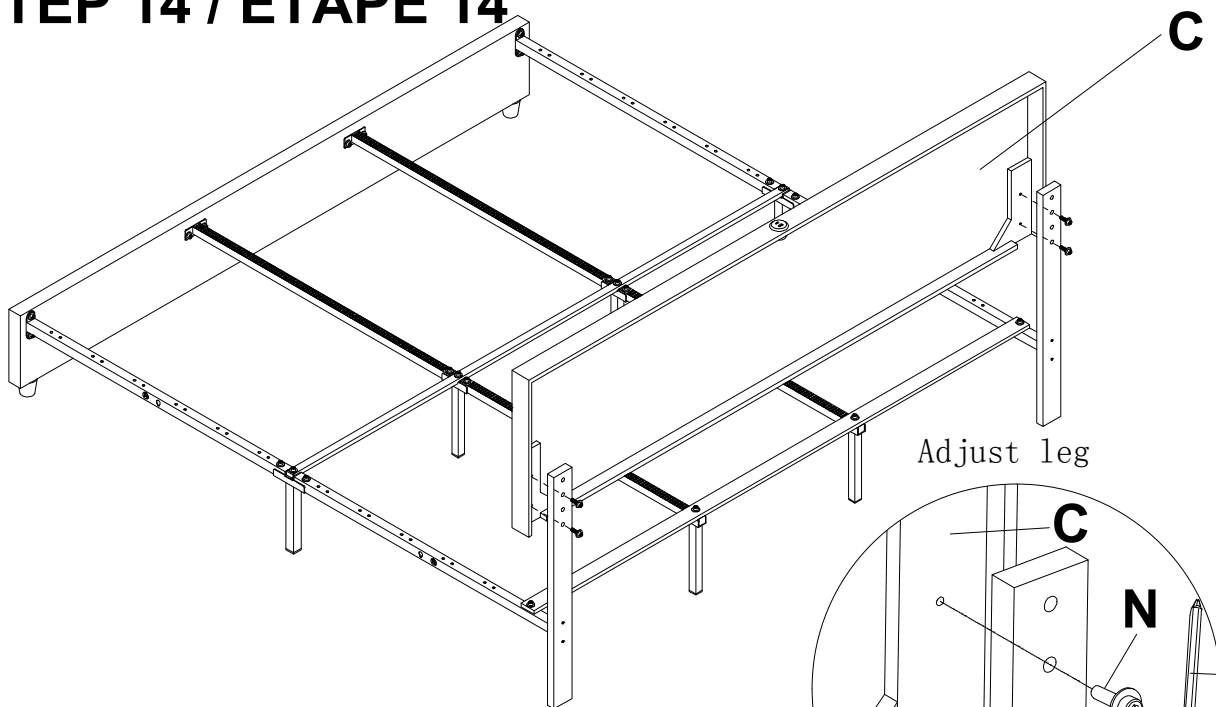
## STEP 13 / ÉTAPE 13



Add cross beam under headboard



	N x 4pcs
	P x 1pc

## STEP 14 / ÉTAPE 14

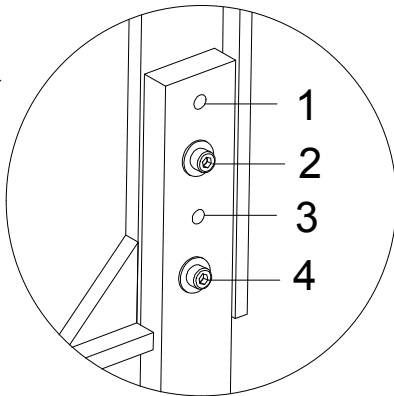


	N x 4pcs
	P x 1pc

# Assembly Steps(EN) / Montageschritte(DE)

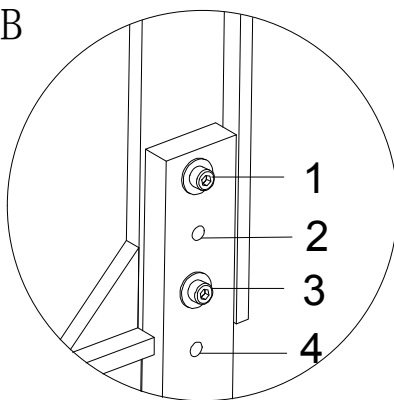
## STEP 15 / ÉTAPE 15

Plan A



Fits a 10 inch thick mattress when attach screws to Hole 2 & Hole 4.

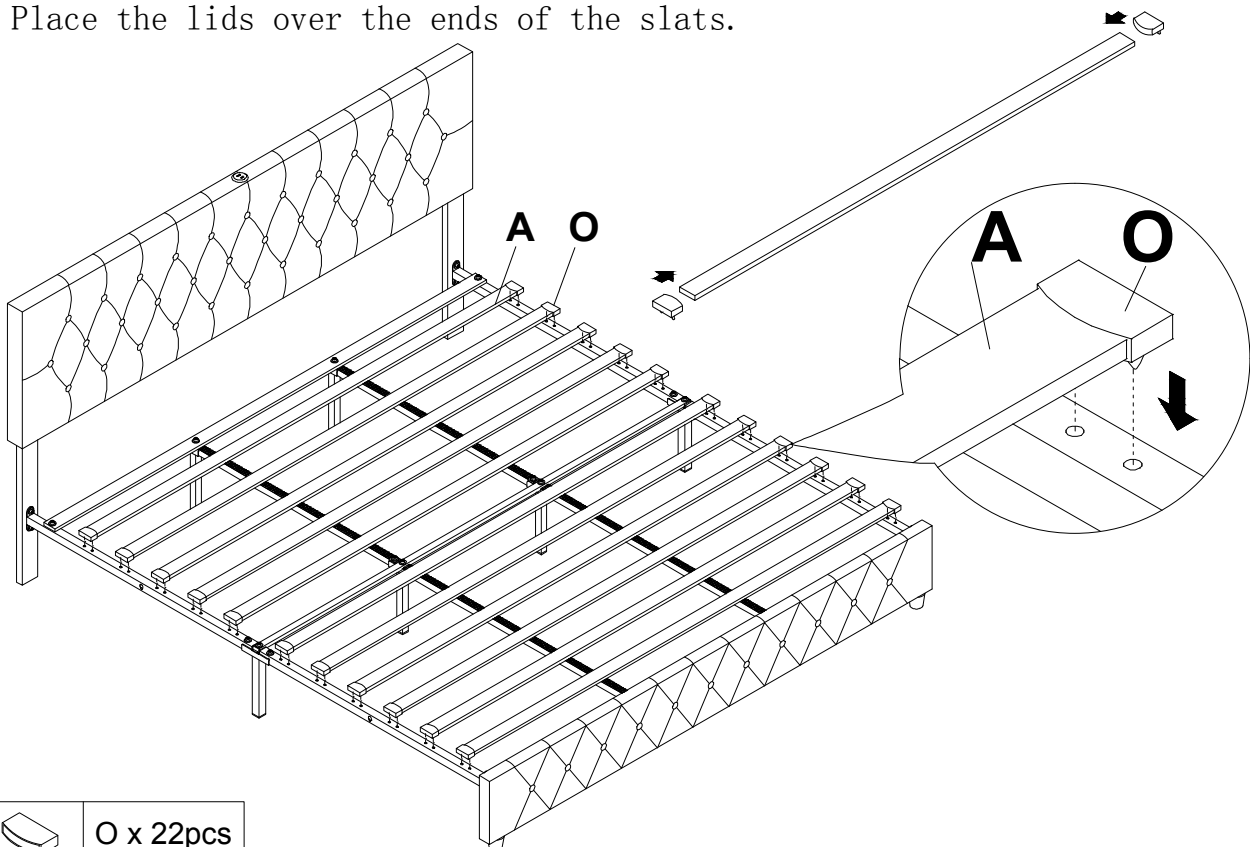
Plan B



Fits a 12 inch thick mattress when attach screws to Hole 1 & Hole 3.

## STEP 16 / ÉTAPE 16

Place the lids over the ends of the slats.

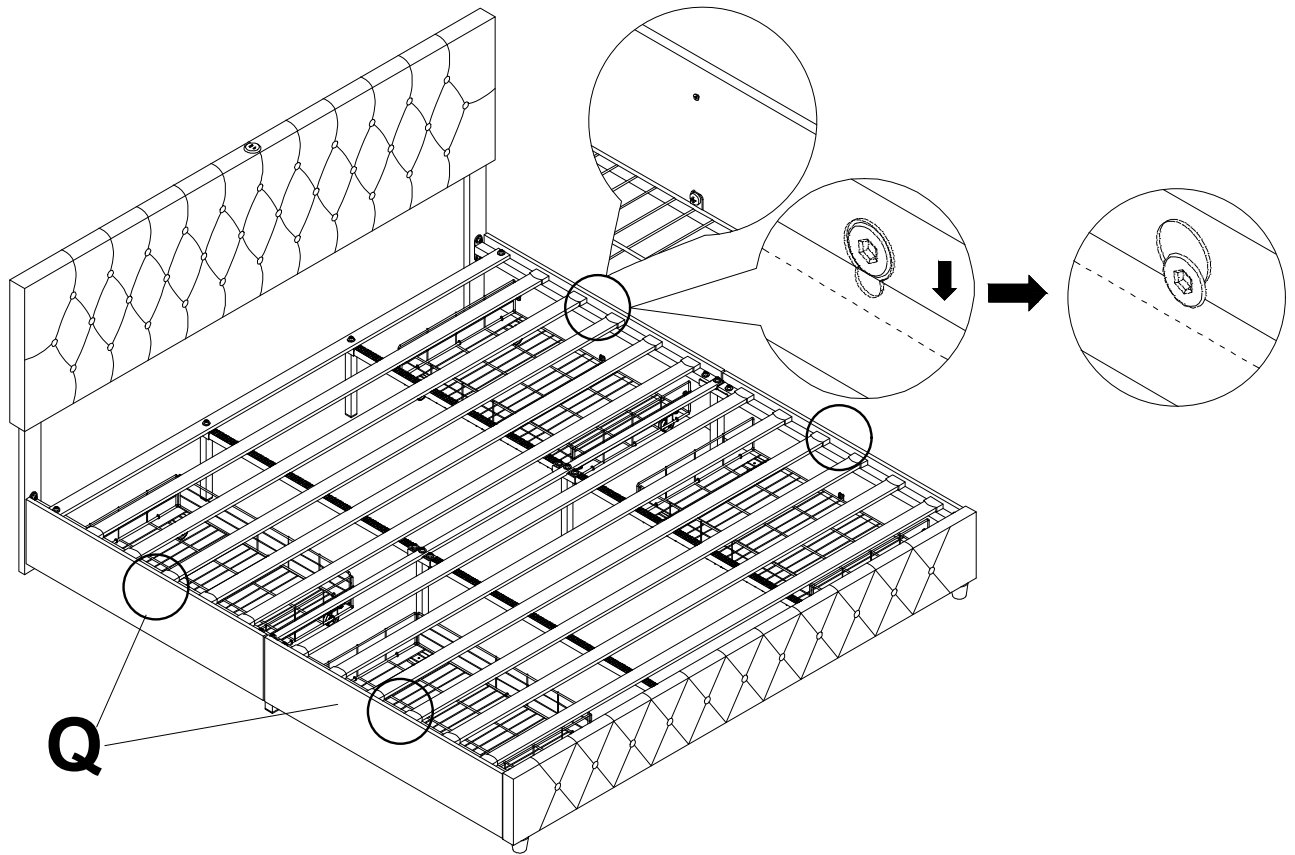


O x 22pcs

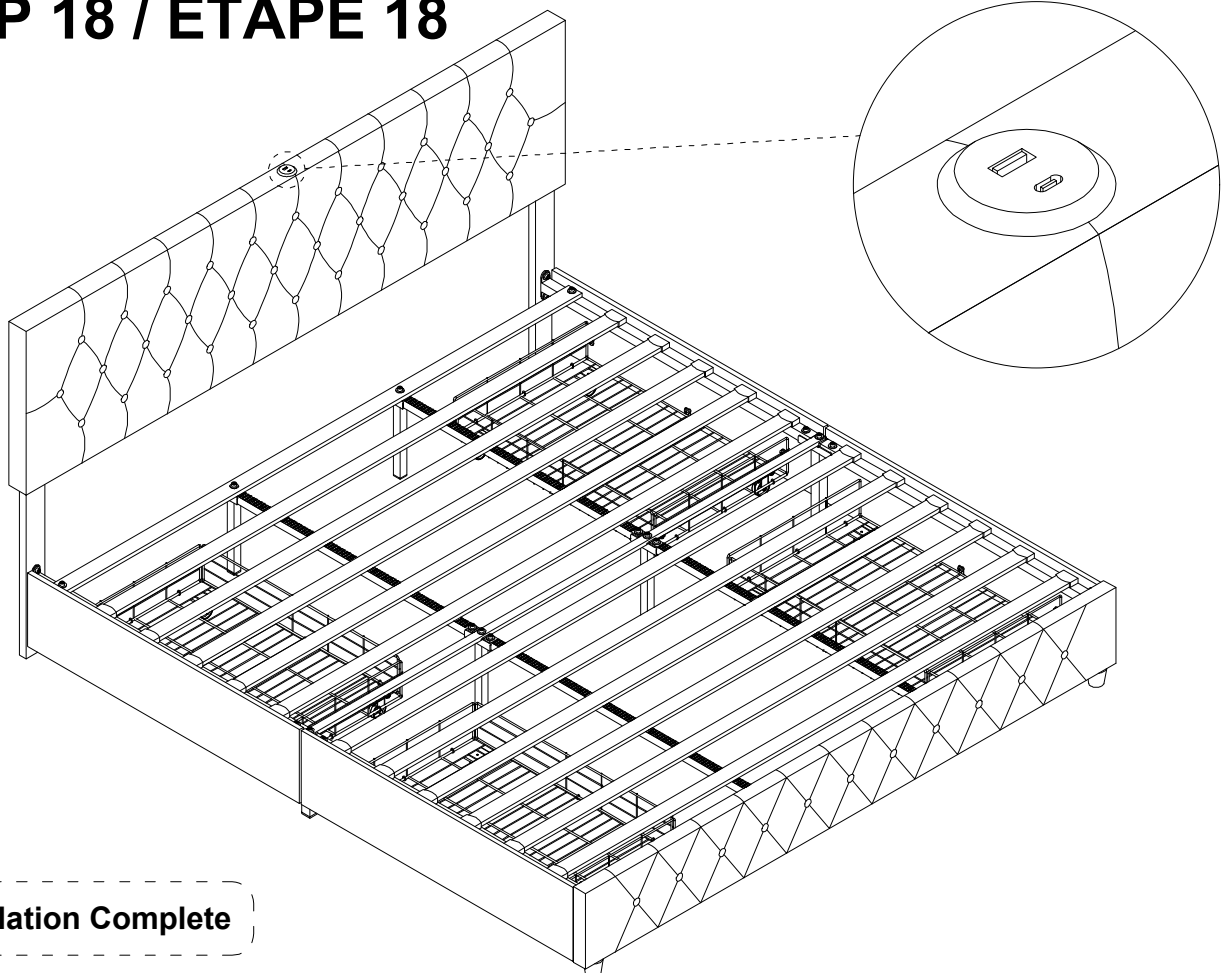
# Assembly Steps(EN) / Montageschritte(DE)

## STEP 17 / ÉTAPE 17

Note :Attach the screw (mentioned in Step6 )  
match with the hole of part F1,F2,F3,F4.



## STEP 18 / ÉTAPE 18



Installation Complete

# Assembly Steps(EN) / Montageschritte(DE)

## 22025 KING PLATFORM BED / LIT PLATEFORME KING

