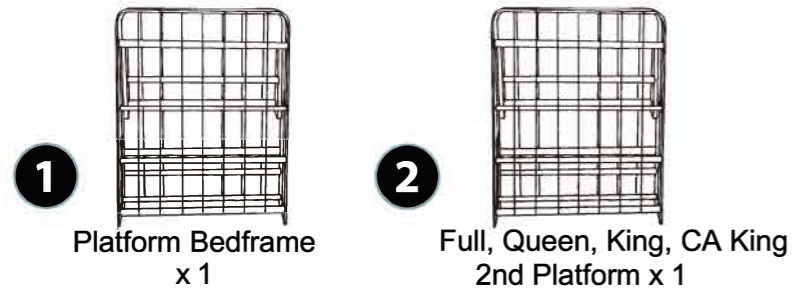


1901 FULL/QUEEN SIZE

COMPONENT PARTS

Please check that you have all the parts listed below



ASSEMBLY HARDWARE

* For Double, Queen, King, and CA King sizes. Twin size is not required.

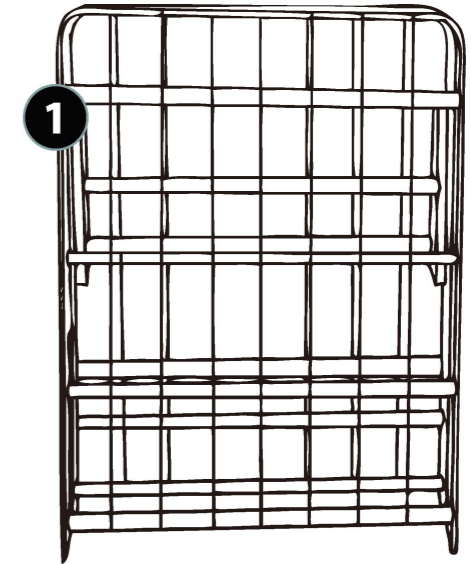


ASSEMBLY INSTRUCTIONS

1

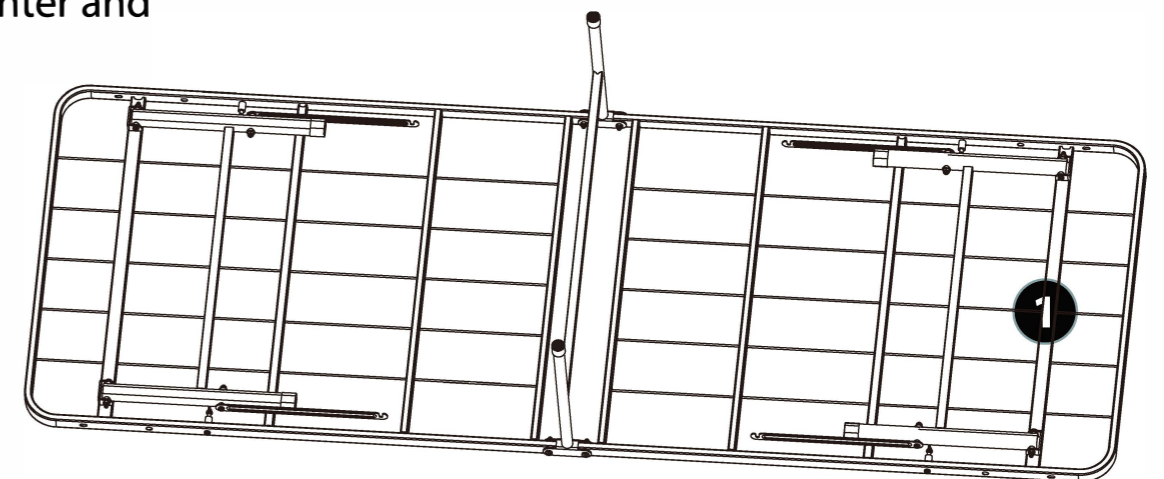
Remove all components from the carton(s) and position them on the floor.

NOTE: Twin / Twin XL sizes (quantity 1). All other sizes (quantity 2).



2

Unfold the unit from the center and lay flat.

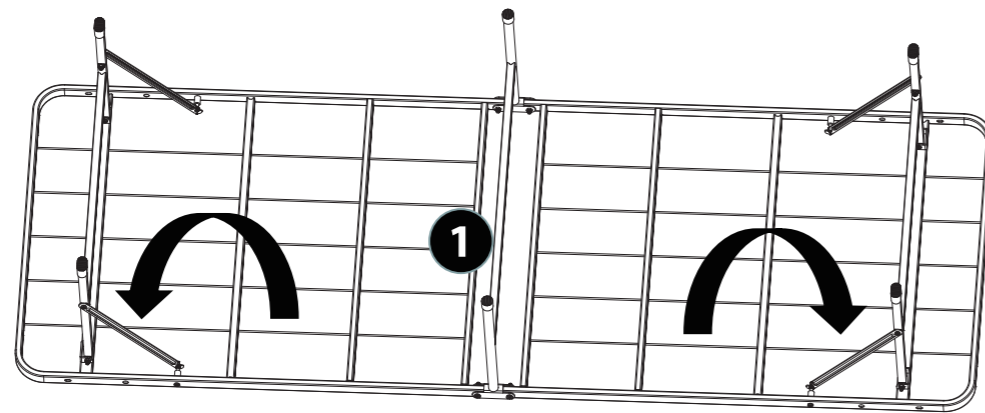


ASSEMBLY INSTRUCTIONS

3

Raise all six legs to the upright position.

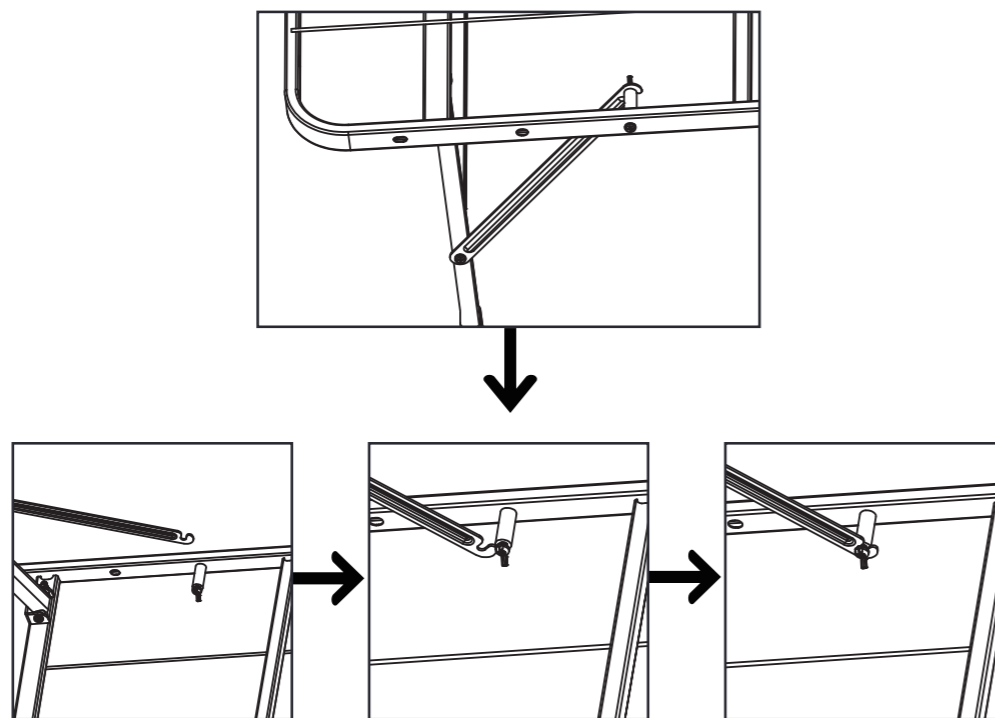
Each of the four end legs have separate support arms.



4

Rotate the support arms to hook onto the bolts and tighten with installed wing nuts. Repeat the process for the remaining three end legs

NOTE: The two center legs do not require wing nuts.



Page 3 of 5

ASSEMBLY INSTRUCTIONS

5

Turn the IdealBase over and upright

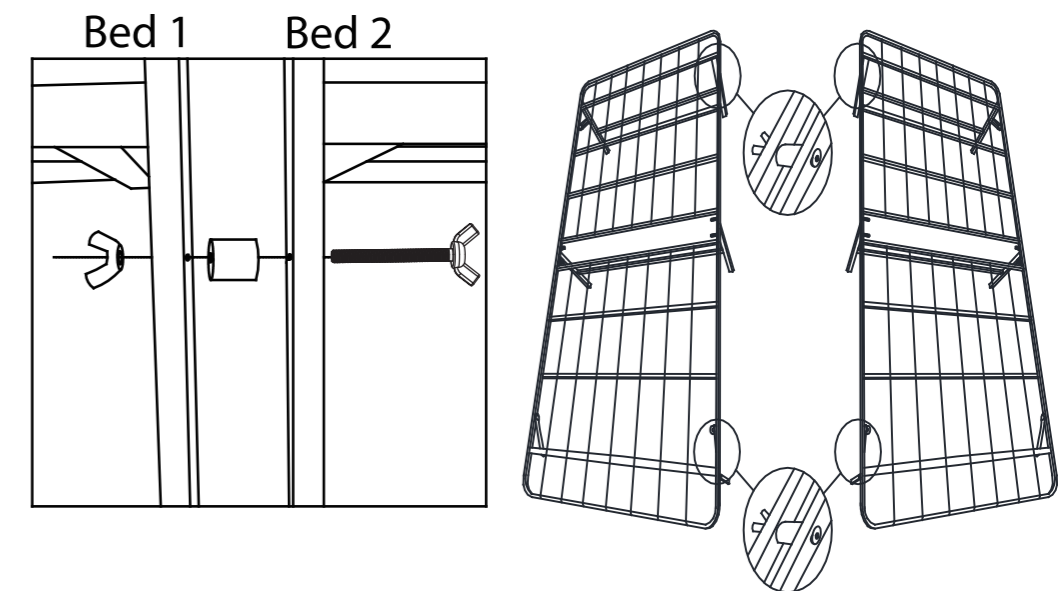
For Twin or Twin XL, Your Bed is Complete.

For all other sizes, repeat steps 1 - 4 for the additional Ideal-Base unit.



6

Align both base units side by side where you intend to install the bed. Attach the two sides together by inserting bolt A into base unit 1 hole in the side of the main cross bar and through into base unit 2 and tighten the wing nut. Repeat for other end with 2nd Bolt.



Page 4 of 5

ASSEMBLY COMPLETE

