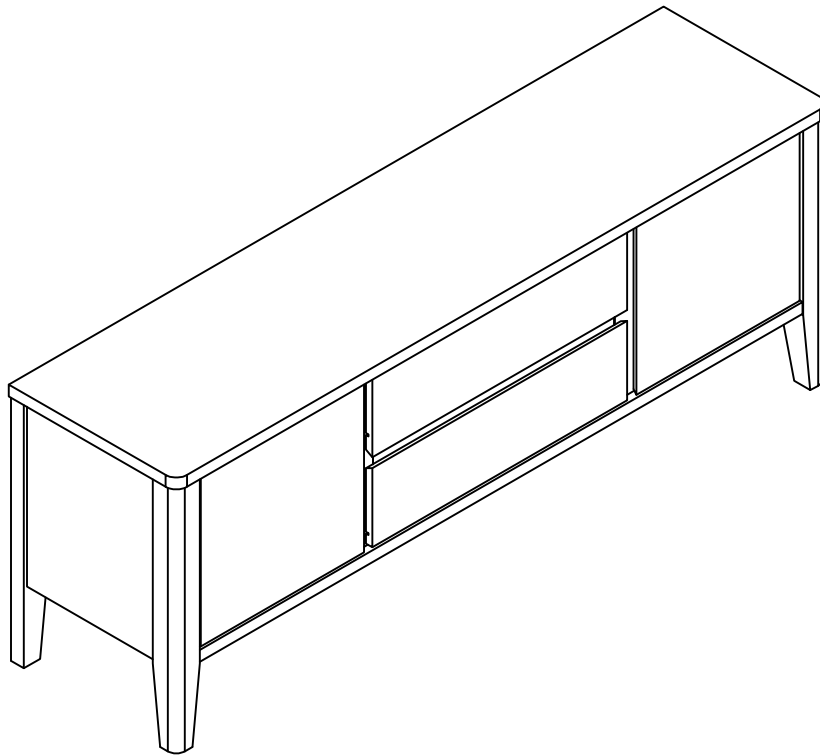


ASSEMBLY INSTRUCTIONS /  
INSTRUCTIONS D'ASSEMBLAGE

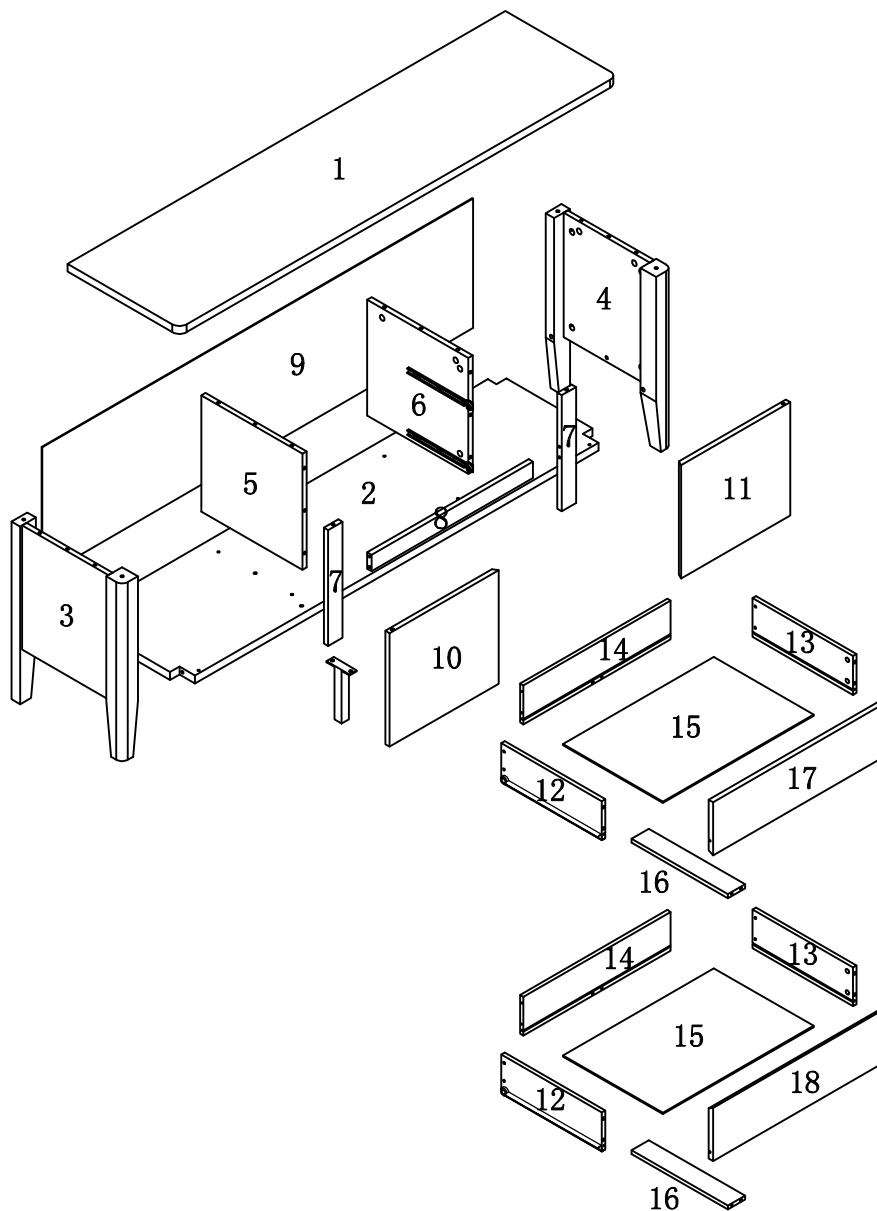
---

ITEM NO/NO ARTICLE:TV stand/Meuble TV  
192601 192602



# PARTS IDENTIFICATIONS / IDENTIFICATION DES PIECES

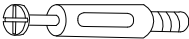

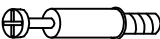





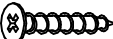
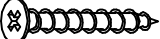
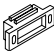




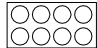

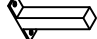

ITEM NO/NO ARTICLE:TV stand/Meuble TV  
192601 192602



(1) 1pc/pce	(8) 1pc/pce	(15) 2pcs/pces
(2) 1pc/pce	(9) 1pc/pce	(16) 2pcs/pces
(3) 1pc/pce	(10) 1pc/pce	(17) 1pc/pce
(4) 1pc/pce	(11) 1pc/pce	(18) 1pc/pce
(5) 1pc/pce	(12) 2pcs/pces	
(6) 1pc/pce	(13) 2pcs/pces	
(7) 2pcs/pces	(14) 2pcs/pces	

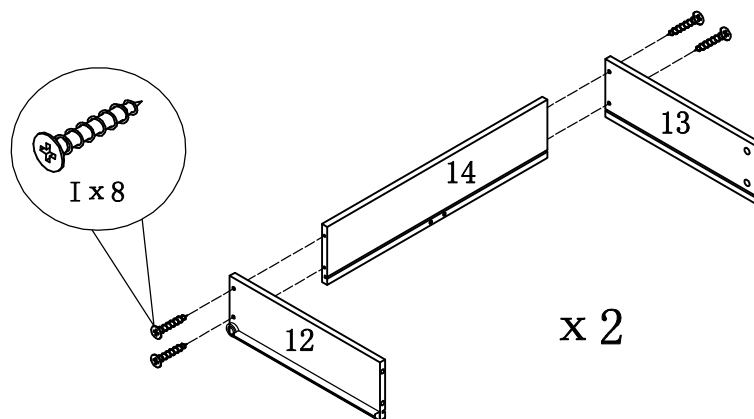
# HARDWARE IDENTIFICATIONS/ IDENTIFICATION DU KIT D'ASSEMBLAGE

ITEM NO/NO ARTICLE: TV stand/Meuble TV  
192601 192602

A		L29	16pcs/pces
B		ø15	16pcs/pces
C		L20	8pcs/pces
D		ø12	8pcs/pces
E		ø8x25	20pcs/pces
F		ø6x30	8pcs/pces
G		ø3x14	4pcs/pces
H		ø3x16	4pcs/pces
I		ø4x30	12pcs/pces
J		ø4x45	4pcs/pces
K			2pcs/pces
L			2pcs/pces
M			2pcs/pces
N		M6x12	2pcs/pces
O			38pcs/pces
P		ø22	12pcs/pces
Q		ø16	4pcs/pces
R		80x25x162	1pc/pce
S		<p>Glue: For securing please apply to wood dowel first before inserting into panel. Colle: Appliquez de la colle sur les goujons en bois avant de les insérer dans le panneau.</p>	1pc/pce

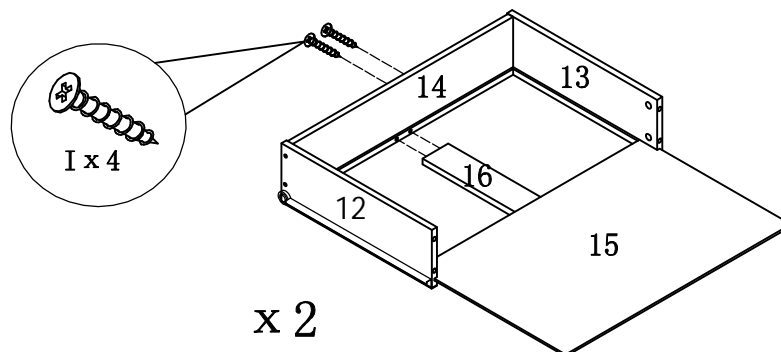
ITEM NO/NO ARTICLE:TV stand/Meuble TV  
192601 192602

---



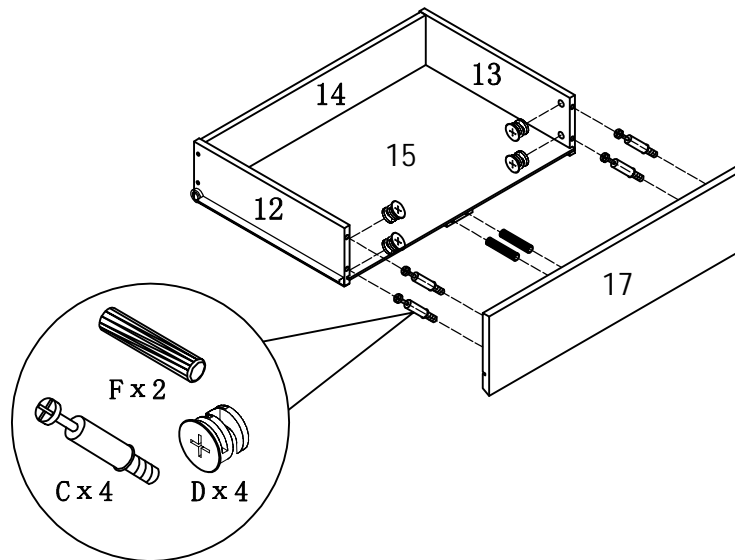
STEP 1 / ETAPE 1

STEP 2 / ETAPE 2



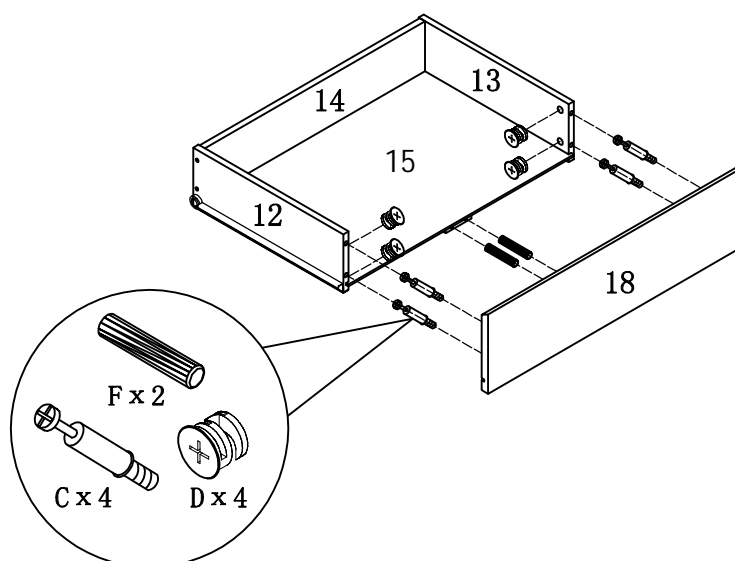
ITEM NO/NO ARTICLE:TV stand/Meuble TV  
192601 192602

---

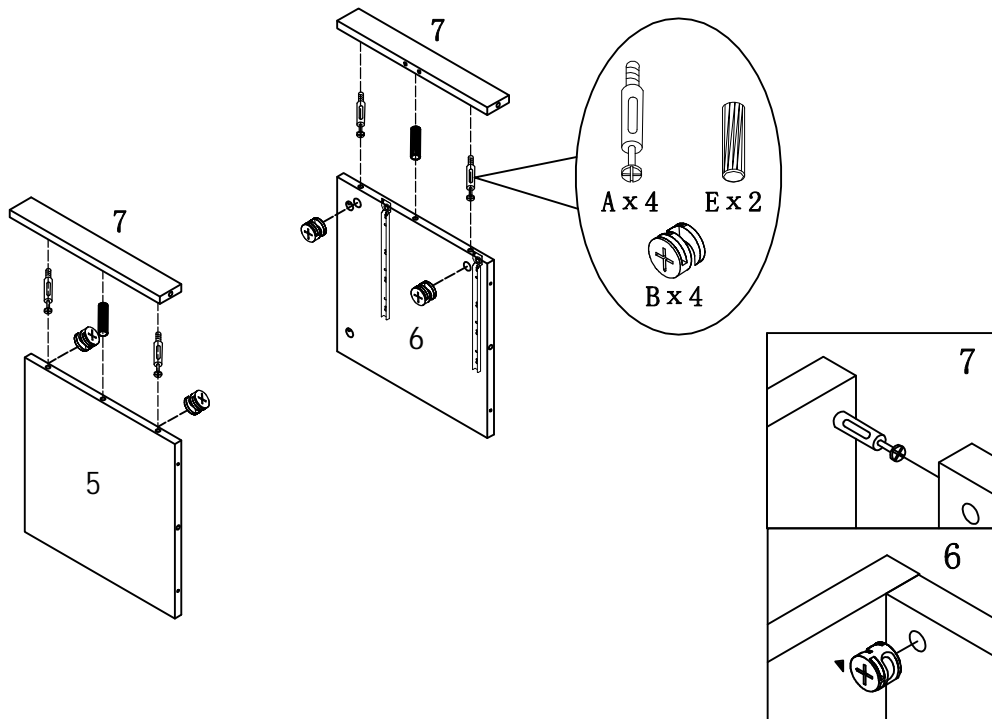


STEP 3 / ETAPE 3

STEP 4 / ETAPE 4

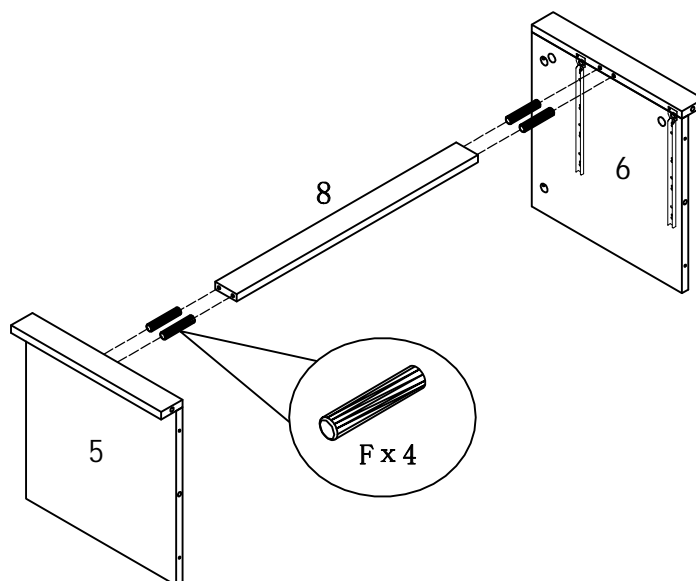


ITEM NO/NO ARTICLE:TV stand/Meuble TV  
192601 192602

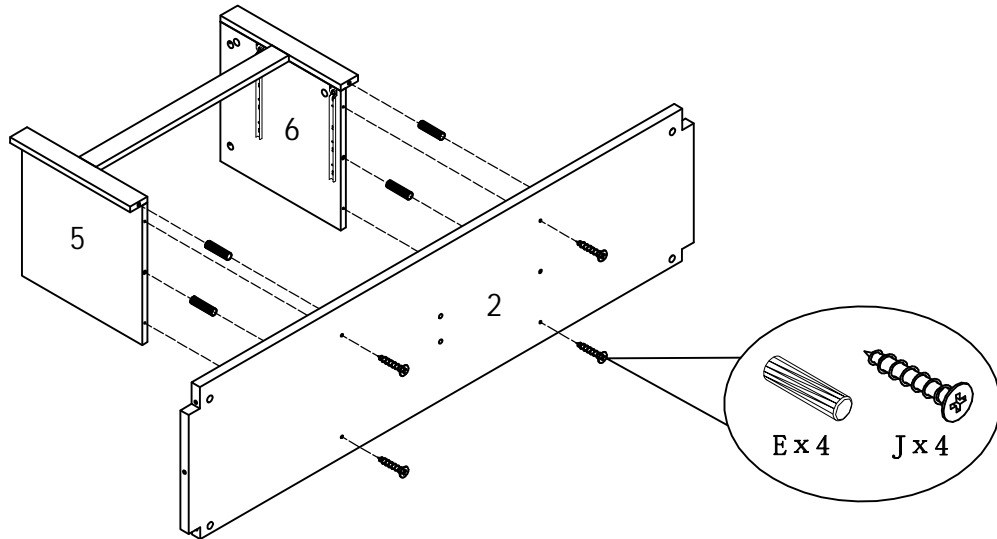


STEP 5 / ETAPE 5

STEP 6 / ETAPE 6

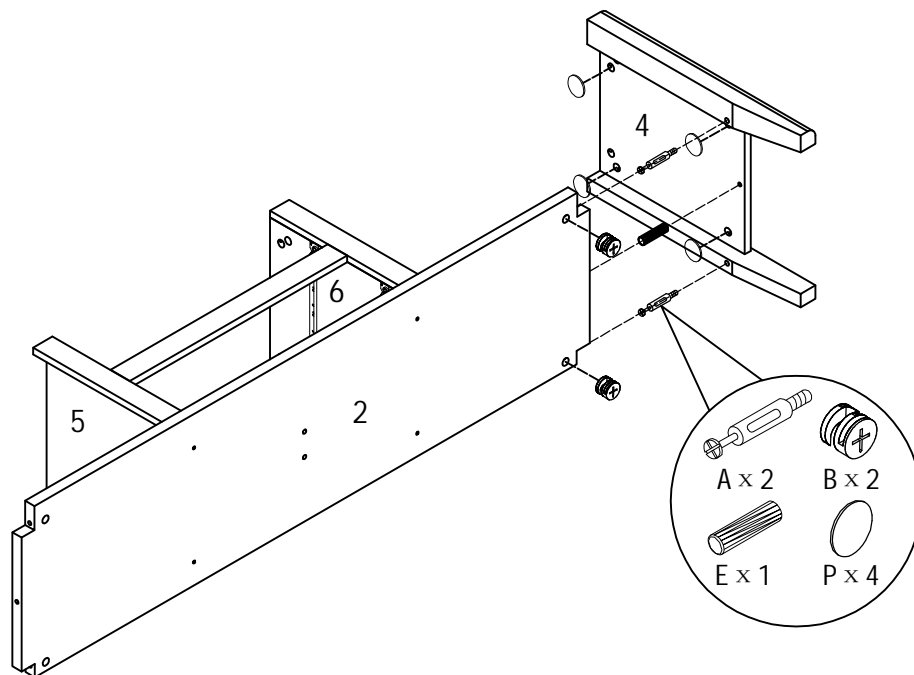


ITEM NO/NO ARTICLE:TV stand/Meuble TV  
192601 192602

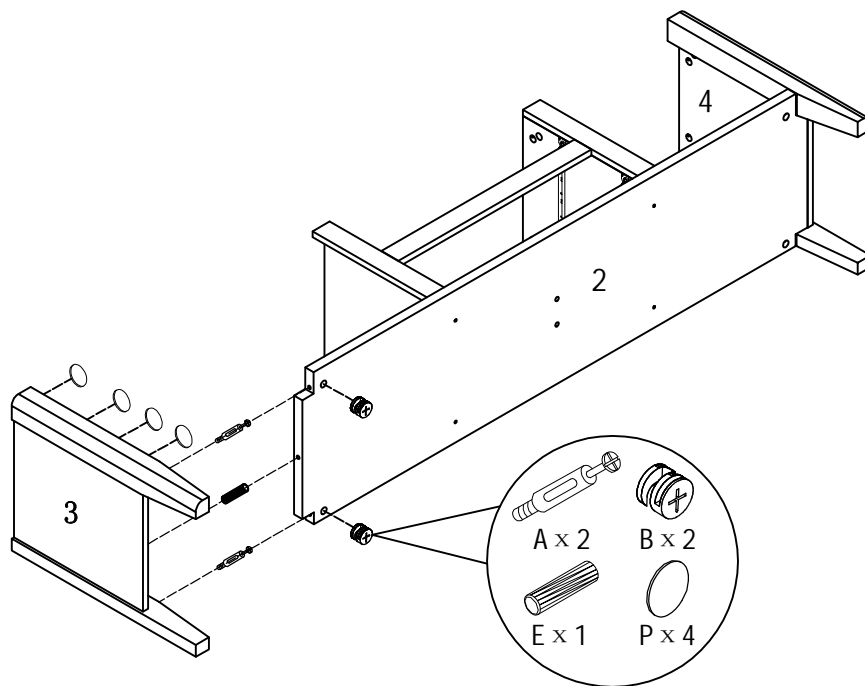


STEP 7 / ETAPE 7

STEP 8 / ETAPE 8

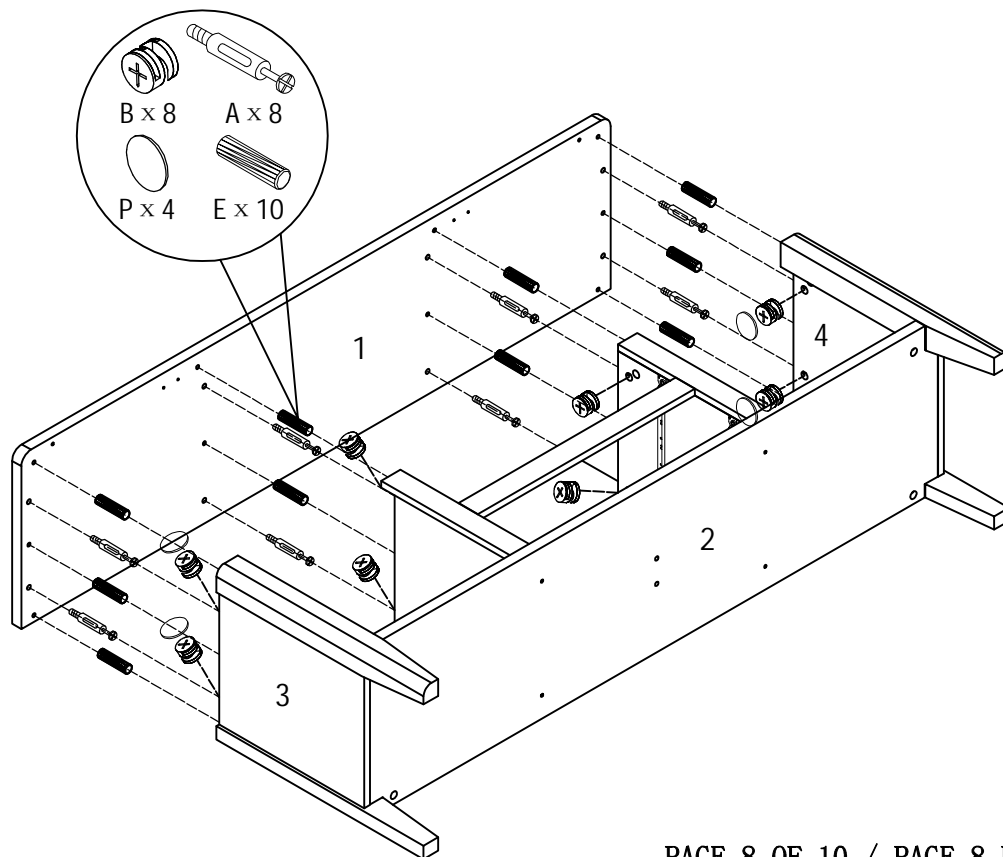


ITEM NO/NO ARTICLE:TV stand/Meuble TV  
192601 192602



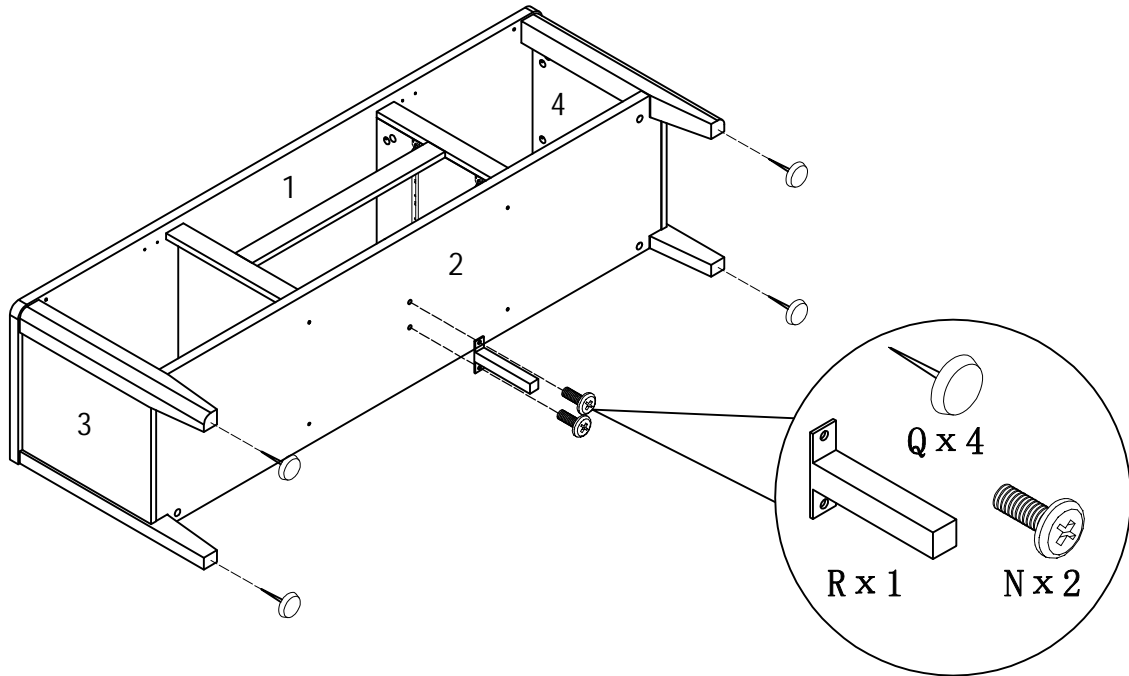
STEP 9 / ETAPE 9

STEP 10 / ETAPE 10



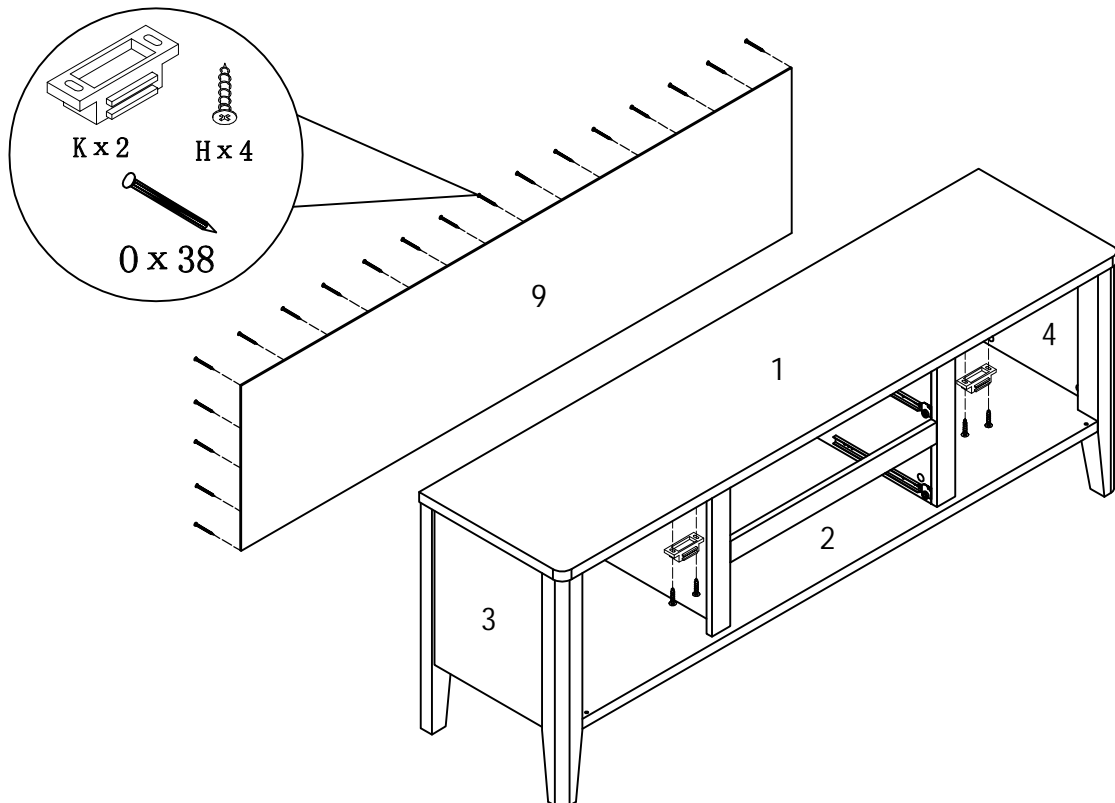


ITEM NO/NO ARTICLE:TV stand/Meuble TV  
192601 192602

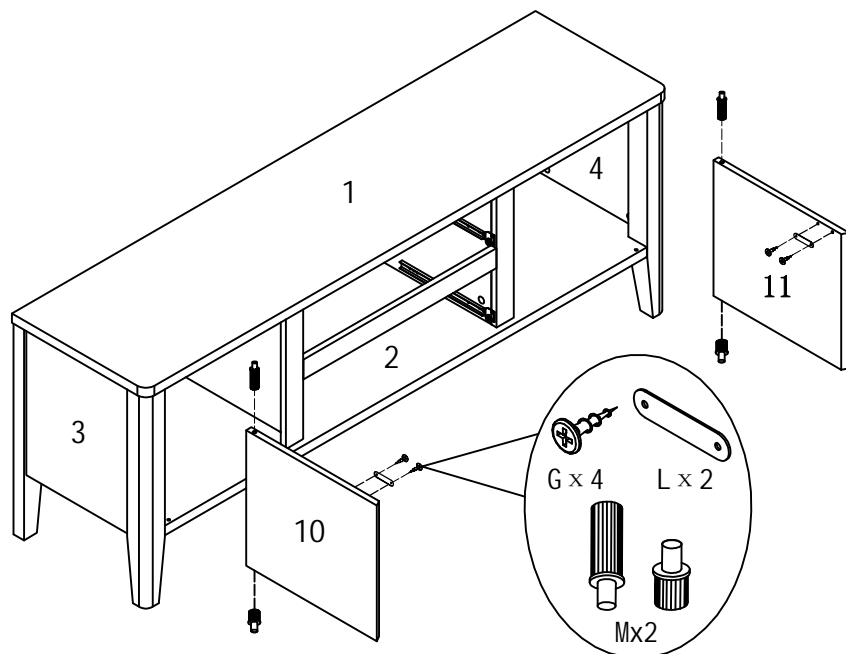


STEP 11 / ETAPE 11

STEP 12 / ETAPE 12



ITEM NO/NO ARTICLE:TV stand/Meuble TV  
192601 192602



STEP 13 / ETAPE 13

STEP 14 / ETAPE 14

