


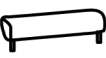
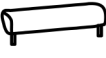










ASSEMBLY INSTRUCTIONS

Thank you for purchasing the quality product. Be sure to check all packing material carefully for small parts which may have come loose inside the carton during shipment. Separate, identify and count all parts and metal hardware. Compare with all parts list to be sure all parts are present. If any part(s) are missing or damaged, please contact your local furniture dealer. For efficient and speedy service, please indicate the model number and code letter of part(s) needed.

Do not fully tighten screws until fully assembled

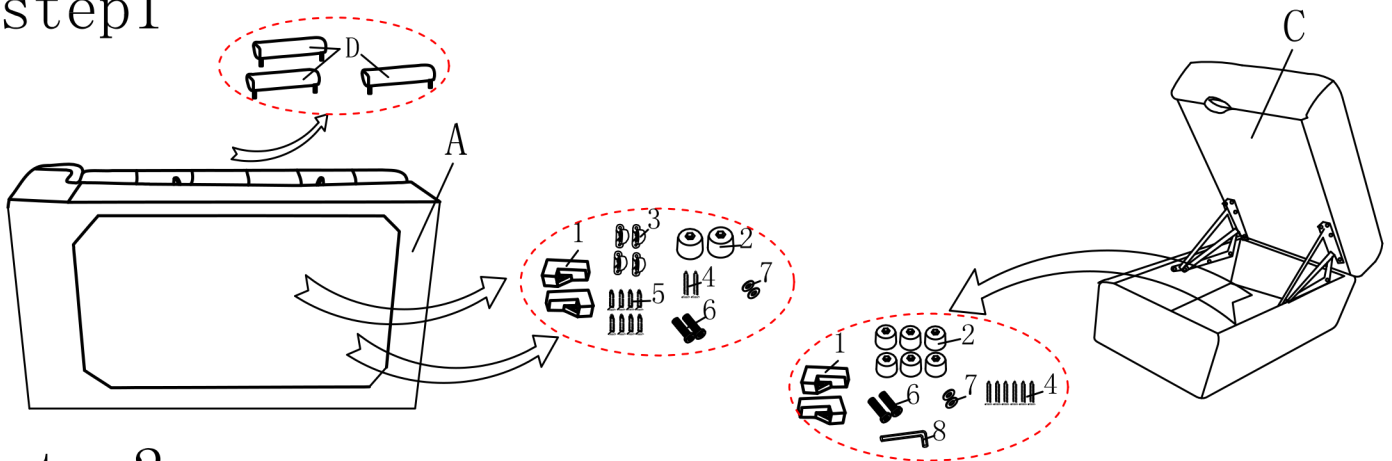
Parts List		Qty
A	 LOVE	1pc
B	 CHAISE	1pc
C	 OTTOMAN	1pc
D	 HEADREST	3pcs
E	 HEADREST	2pcs

HARDWARE LIST			
1		Leg(155*95*50mm)	4pcs
2		Leg(ø50*50mm)	8pcs
3		Wheel(50mm)	4pcs
4		Screw(M5*50mm)	8pcs
5		Screw(M5*25mm)	8pcs
6		Bolt(M8*40mm)	4pcs
7		Flat Washer(M8)	4pcs
8		Allen Wrench(M5)	1pc

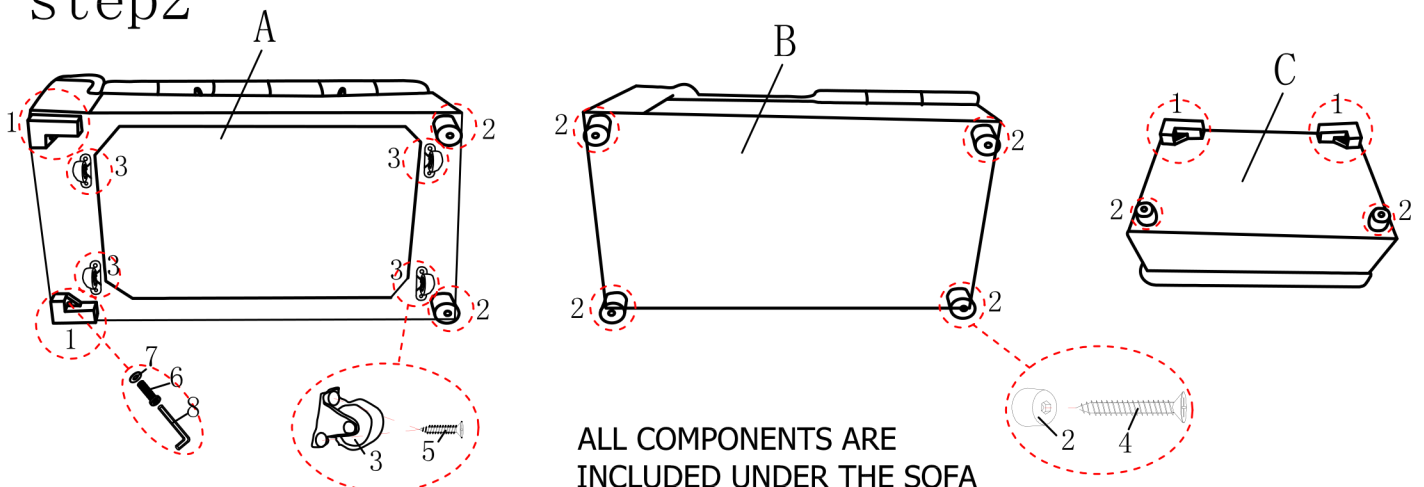
Attention

***Some number parts listed on the instruction sheet may not be in parts bag as they may be assembled. Carefully check parts and packing materials prior to ordering replacements. ***

step1



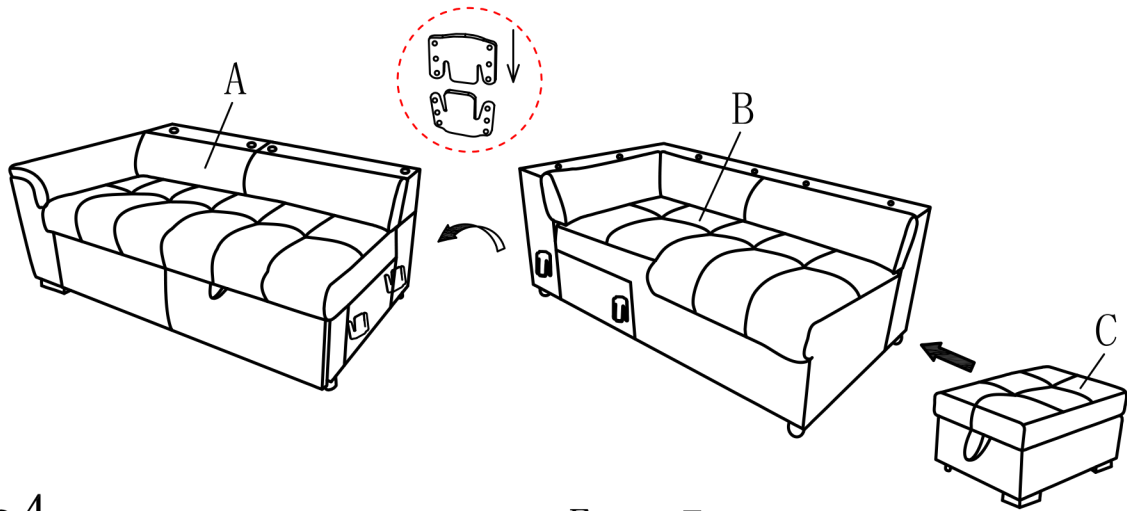
step2



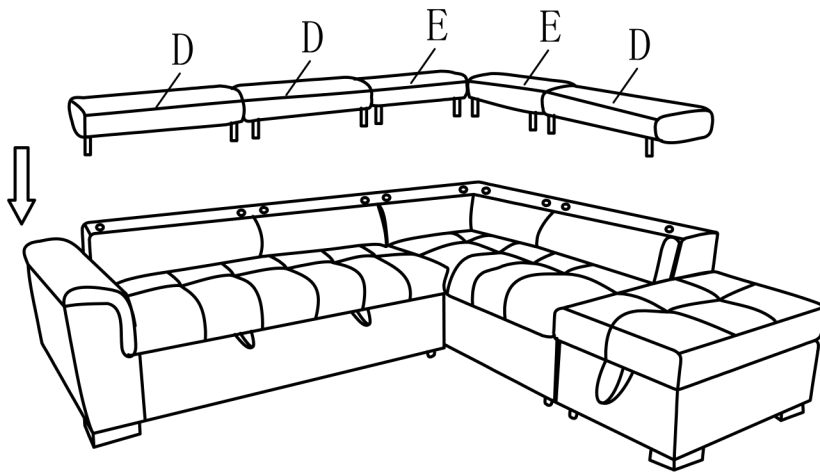
ALL COMPONENTS ARE INCLUDED UNDER THE SOFA

ASSEMBLY INSTRUCTIONS

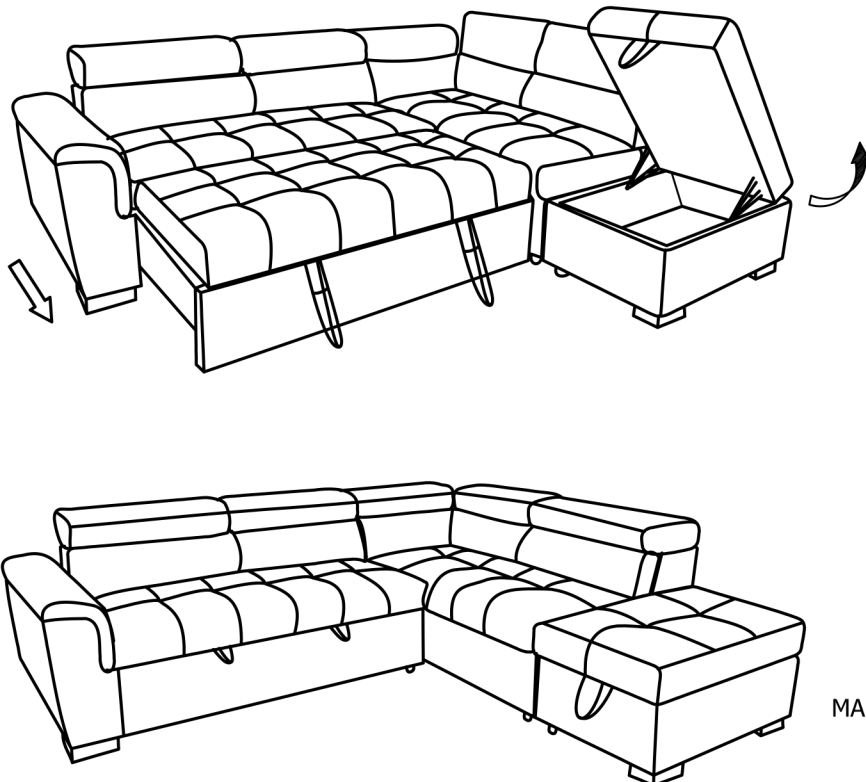
step3



step4



step5



MADE IN CHINA