
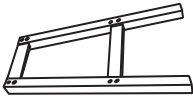









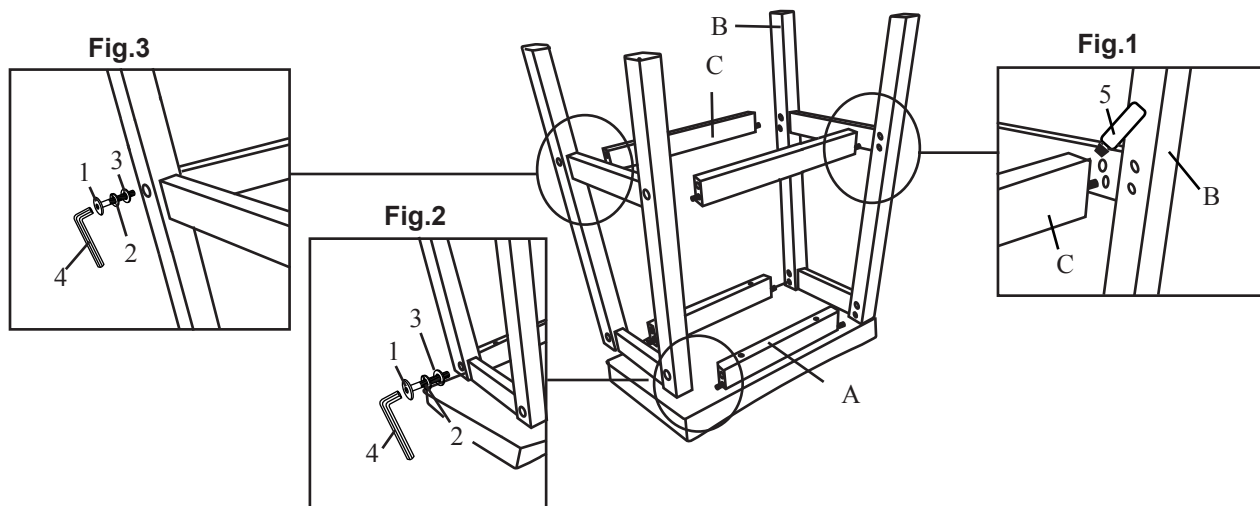
Assembly Instruction

SADDLE BARSTOOL

NO	Parts List		Q'TY
A		Hardseat	1 pce
B		Assembly Leg	2 pcs
C		Stretcher	2 pcs

NO	Hardware List		Q'TY
1		JCBC Bolt	8 pcs
2		Lock Washer	8 pcs
3		Flat Washer	8 pcs
4		Allen Key	1 pce
5		Glue	1 pce
6		Wood Plug	8 pcs

STEP 1



STEP 2

