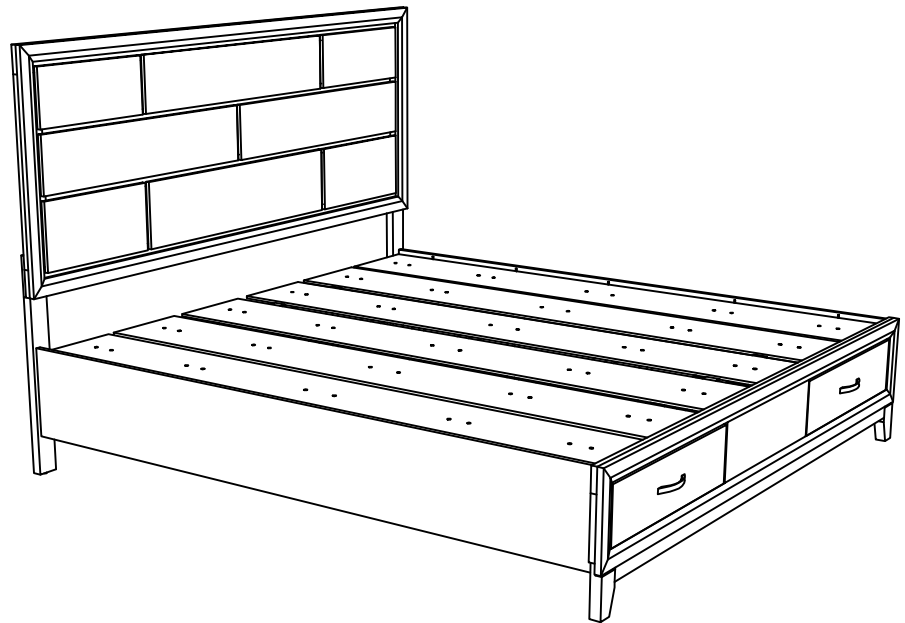


King Storage Bed

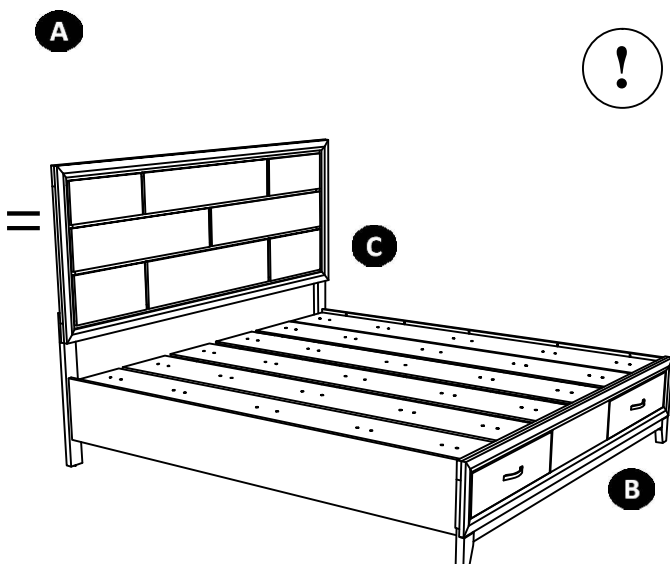
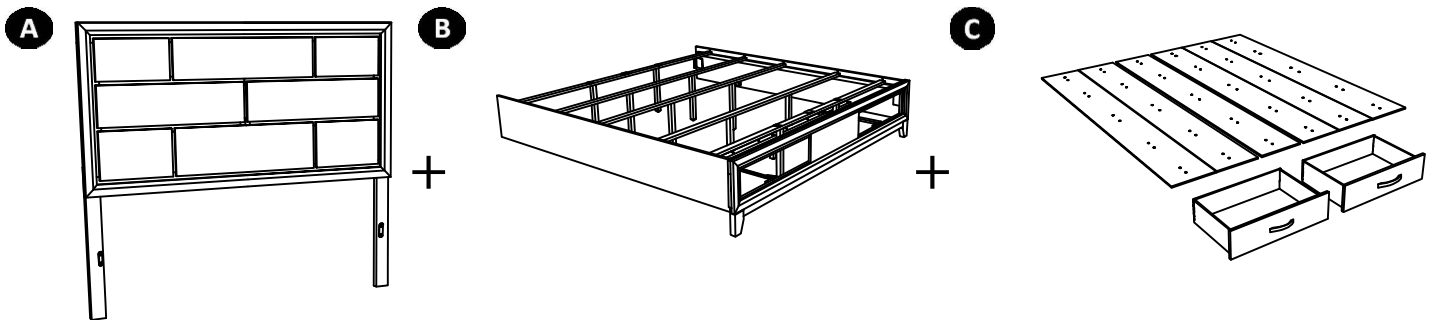
**MODEL
0170D**

Assembly Installation Guide

DESCRIPTION:
King Headboard
King Footboard
King Side Rails
King Slat & Support Legs
Storage Drawer



INSTALLATION AREA



Caution : Please read instructions thoroughly before unpacking assembly parts. Sharp, exposed staple tips can cause injury, therefore, for your protection, please remove any exposed staples used in packing.

1. We recommend that you should assemble this product with the assistance of another person ; this will make assembly easier, and will help to eliminate damage to the product or injury to persons during assembly.
2. Be sure to check all packing materials carefully for small parts that may have come loose inside the carton during shipment.
3. Please do not over tighten screws or bolts.
4. Please put all parts on a non - abrasive floor before assembly. and follow the assembly step to assemble your newly purchased product correctly and efficiently .

Drawer N^oQ & N^oR are identical & compatible, to each other regardless left or right.

During assembly, do not tighten any hardware until the complete unit has been assembled.



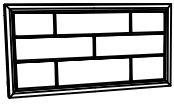
2 PERSON
installation recommended



20 - 25
minutes for installation

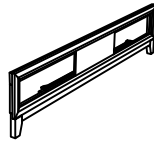
BOX 1

Box of Headboard & Footboard



№A

Headboard x 1
67 x 795x 2016 mm



№B

Footboard x 1
56 x 425 x 2006mm



№C(L)

Headboard Leg(Left) x 1
34 x 70 x 725 mm



№C(R)

Headboard Leg(Right) x 1
34 x 70 x 725 mm

Hardware List



№1
JCBC Bolt x 6
m6 x 30mm
BLK



№2
Spring Washer x 6
1/4" RBW



№3
Flat Washer x 6
1/4" ID x 13mm OD
BLK



№4
Allen Key x 1
m4 x 65mm BLK

BOX 2

Box of Side rail



№D

Side Rail x 2
35 x 295 x 2060mm



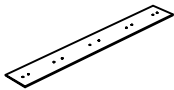
№E

Bed Slat x 3
18 x 45 x 1951mm



№F

Bed Slat With Marking x 2
18 x 45 x 1951mm



№G

Concealed Panel x 6
9 x 295 x 2040mm



№H

Drawer Support Rail x 1
20 x 40 x 1951mm



№I

Support Leg 1 x 10
30 x 30 x 365mm



№J

Support Leg 2 x 1
30 x 30 x 145mm

Hardware List



№5
Flat Head Chipboard
Screw x 12
m4 x 32mm RBW



№6
Pan Head Chipboard
Screw x 30
m3.5 x 20mm BLK



№7
JCBC Bolt x 11
m6 x 50mm
BLK



№8
Allen Key x 1
m4 x 65mm BLK



№9
Allen Key x 1
m5 x 65mm BLK



№10
Flat Washer x 4
1/4" ID x 13mm OD
BLK for T-Runner
alignment
IF NECESSARY USE
ONLY



№11
Flat Head Chipboard
Screw x 2
m4 x 20mm RBW

BOX 3

Box of Parts & Hardware



№L

Drawer x 2



№10

8116 Handle 128mm
Aluminium (With
Thread 4mm) x 2



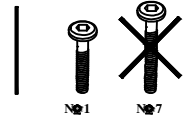
№11

Truss Head Machine
Screw m4x25mm
Blk x 2

A

STEP
01

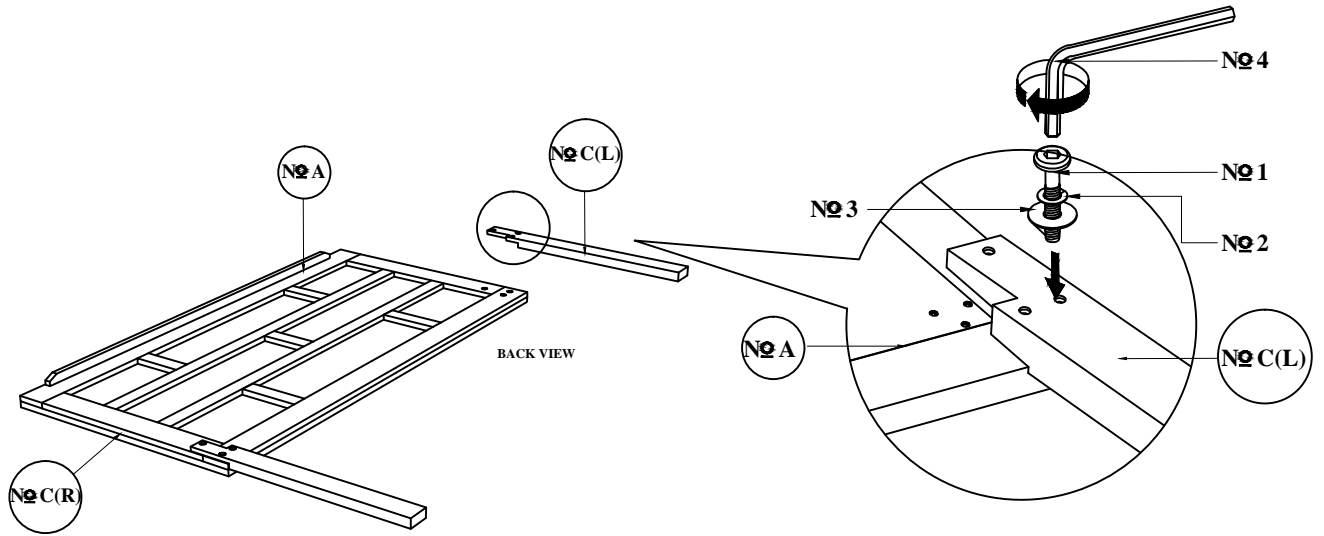
Attach headboard leg (C) (L&R) to headboard (A) secure with JCBC bolt (1) , spring washer (2) , flat washer (3) and tighten them by Allen key (4) as shown.



Box 1 : No A + No C(L) + No C(R) No 1 + No 2 + No 3 + No 4



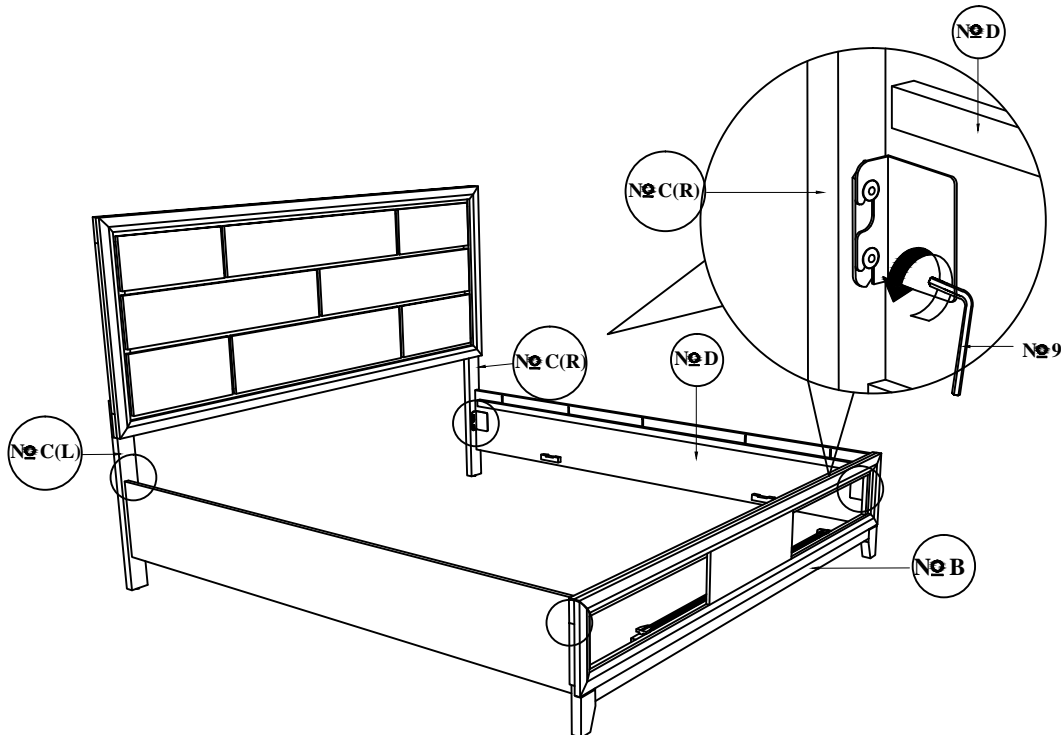
Headboard
Assembly
Installation



STEP
02

Loosen the JCBC bolt with Allen key (9) and hook the side rail (D) to headboard leg (C) (L&R) and footboard (B) by push down to fit. Repeat the same step for next assembly.

Box 2 : No D + No 9

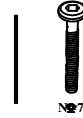


A

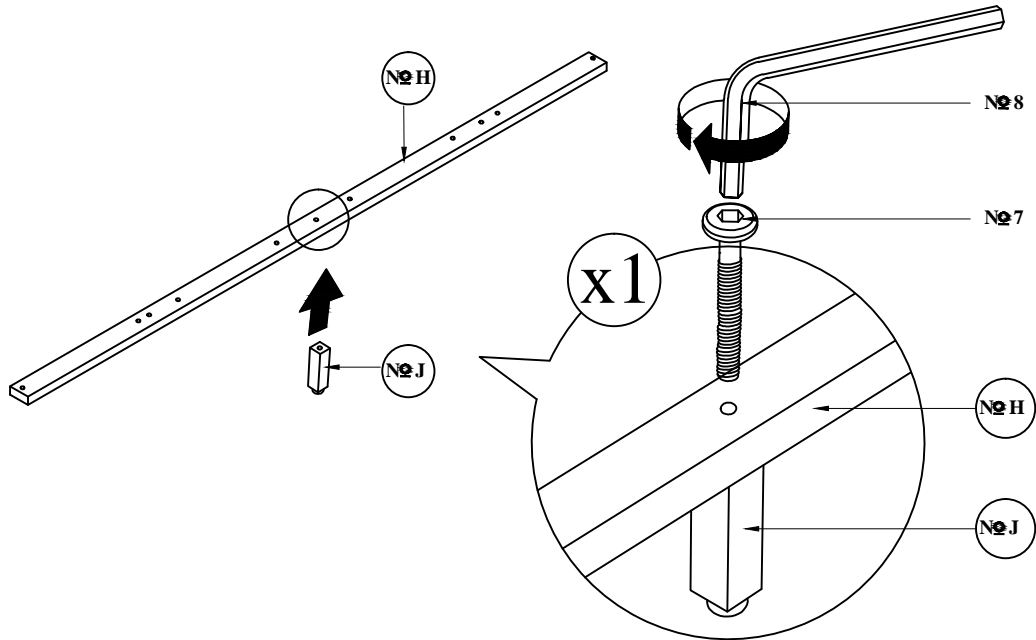
STEP
03

Attach Support Leg 2 (J) to the Drawer support Rail (H). Secure with JCBC Bolt (7) and tighten them by an Allen Key (8)

Box 2 : N° H + N° J + N° 7 + N° 8



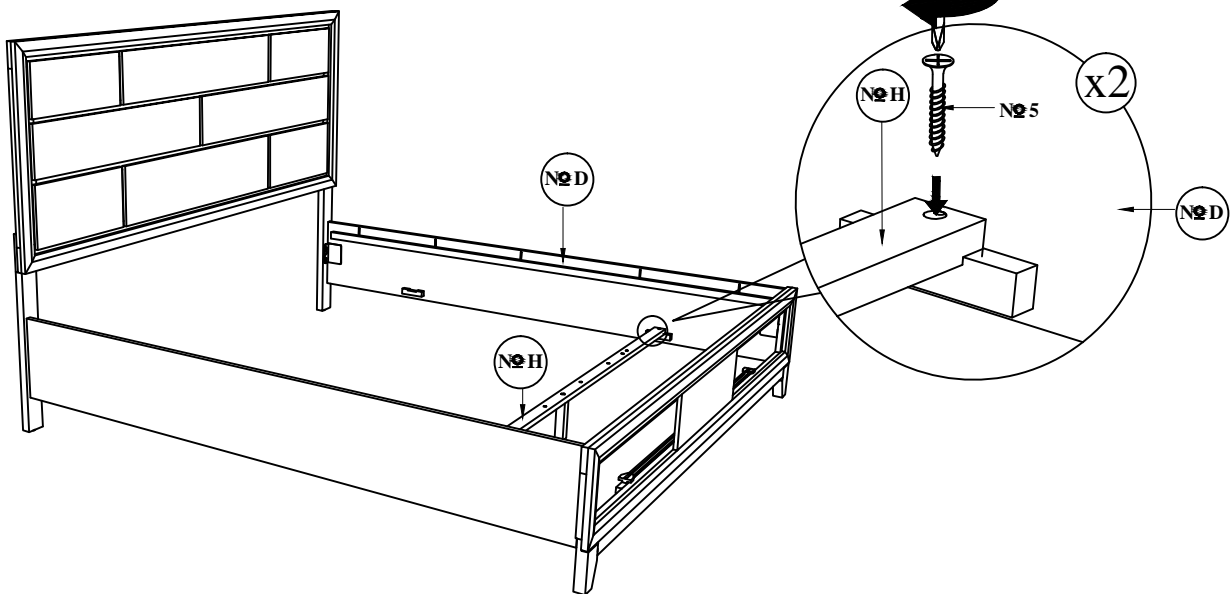
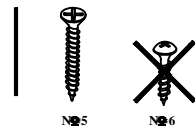
Footboard
Structure
Assembly
Installation



STEP
04

Attach drawer support rail (H) to side rail (D) Secure with CSK screw (5) and tighten them by screw driver .
(Not included)

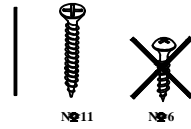
Box 2 : N° H + N° 5



B

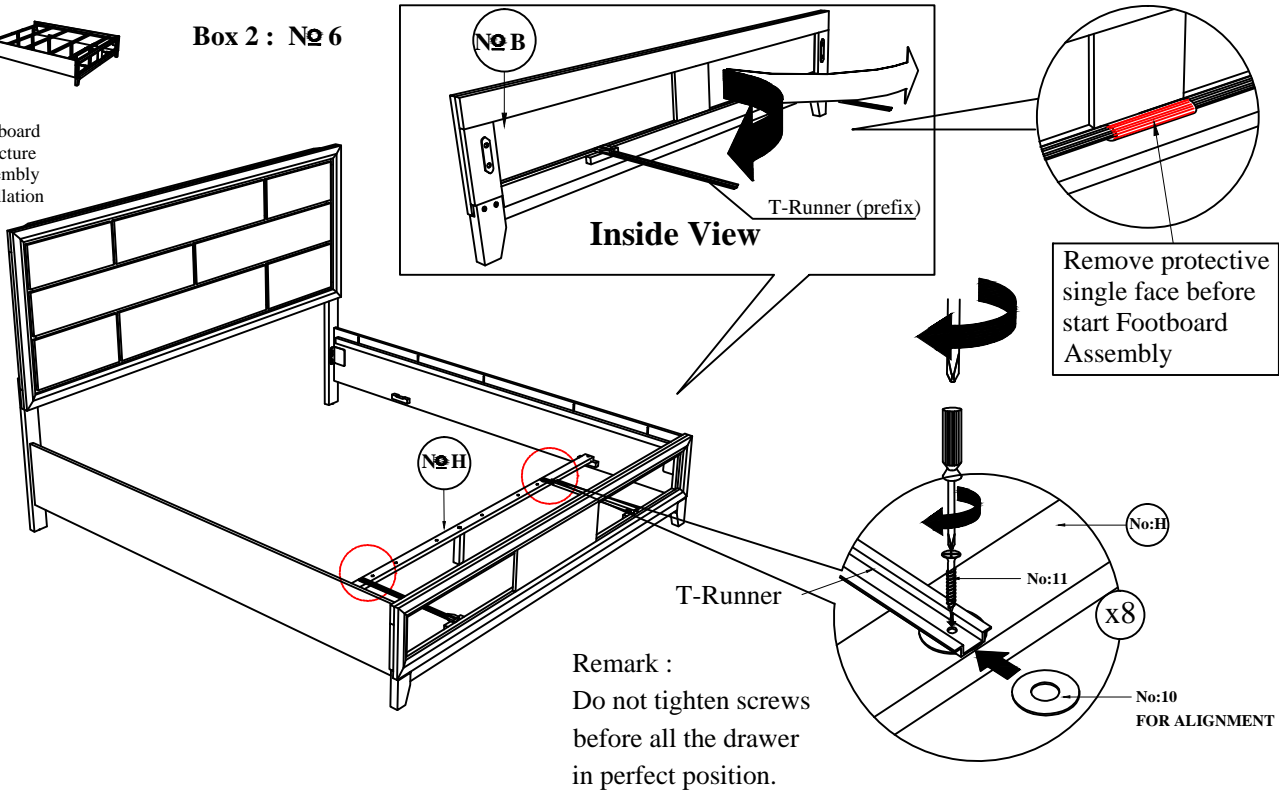
STEP
05

Attach footboard T runner (prefix with footboard) by rotate it to the T-Runner Center Support Frame (H) Secure with CSK screw (11) & place Flat washer (10) on underneath of the T- Runner tighten it by screw driver (Not included)



Box 2 : No 6

Footboard
Structure
Assembly
Installation

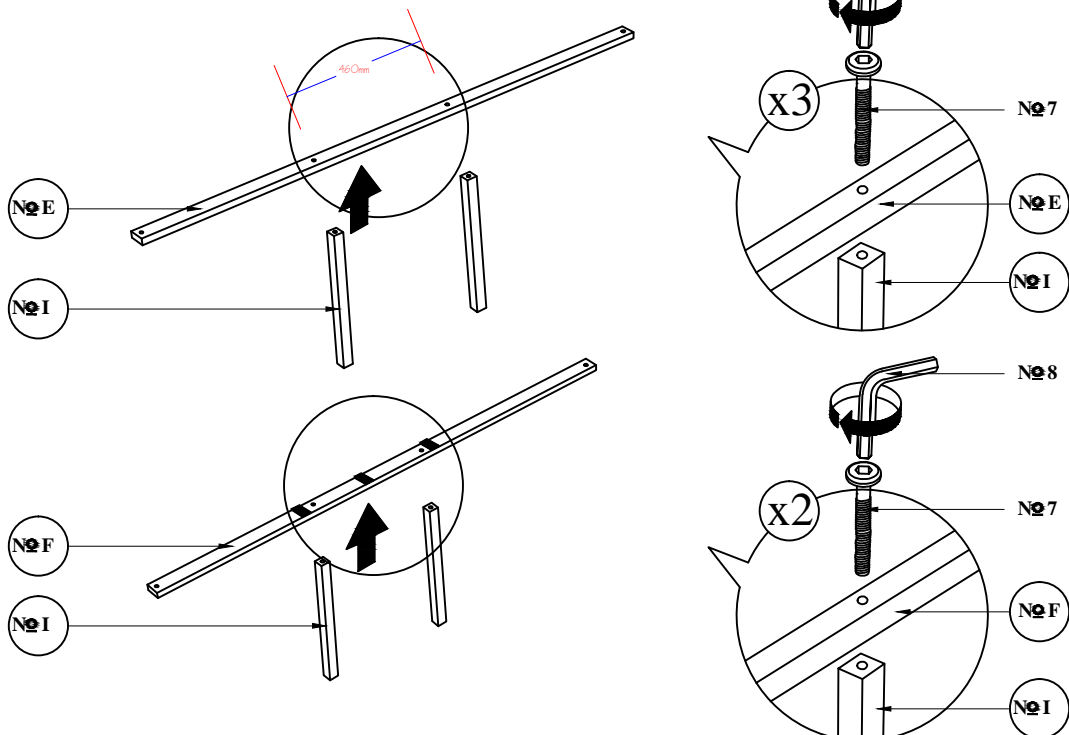


STEP
06

Attach Bed Slat (E) & (F) to the Bed Slat Support (I) . Secure with JCBC Bolt (7) and tighten them by using an Allen Key (8). (Loosen and tighten the Adjuster to stability of bed)



Box 2 : No E + No F + No I + No7 + No8

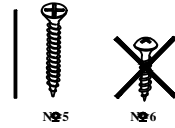


B

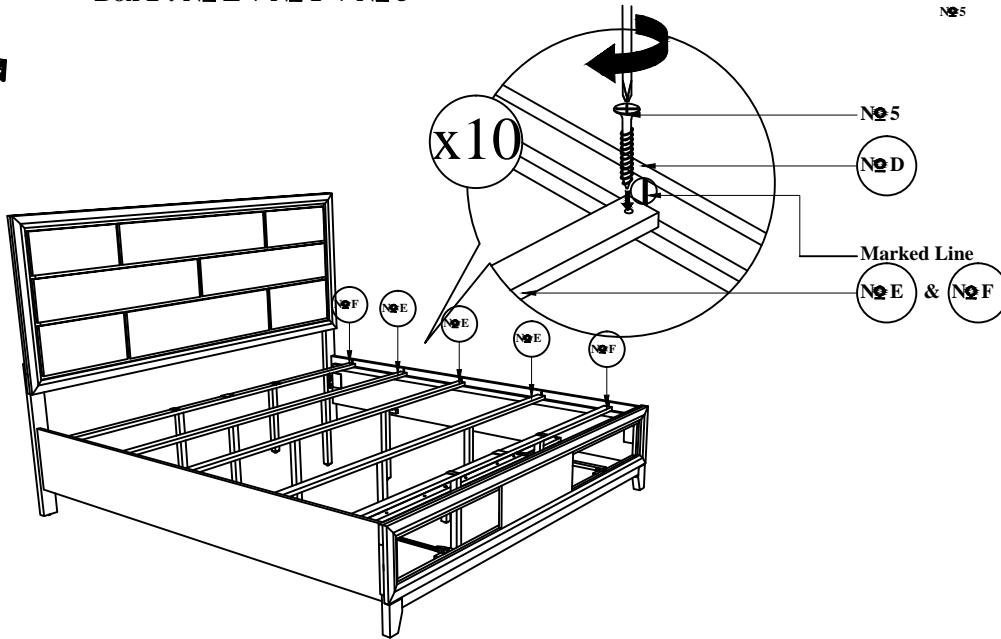
STEP 07

Attach the slat (E) & (F) to the Side Rail (D) by follow the marking line. Secure with CSK screw (5) and tighten them by using screw driver . (not included)

Box 2 : № E + № F + № 5



Footboard Structure Assembly Installation



STEP 08

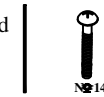
Insert Footboard drawer (L) onto position over T-runner as shown. Fully Tighten all screws that fix the T-runner.

Box 3 : № L

STEP 09

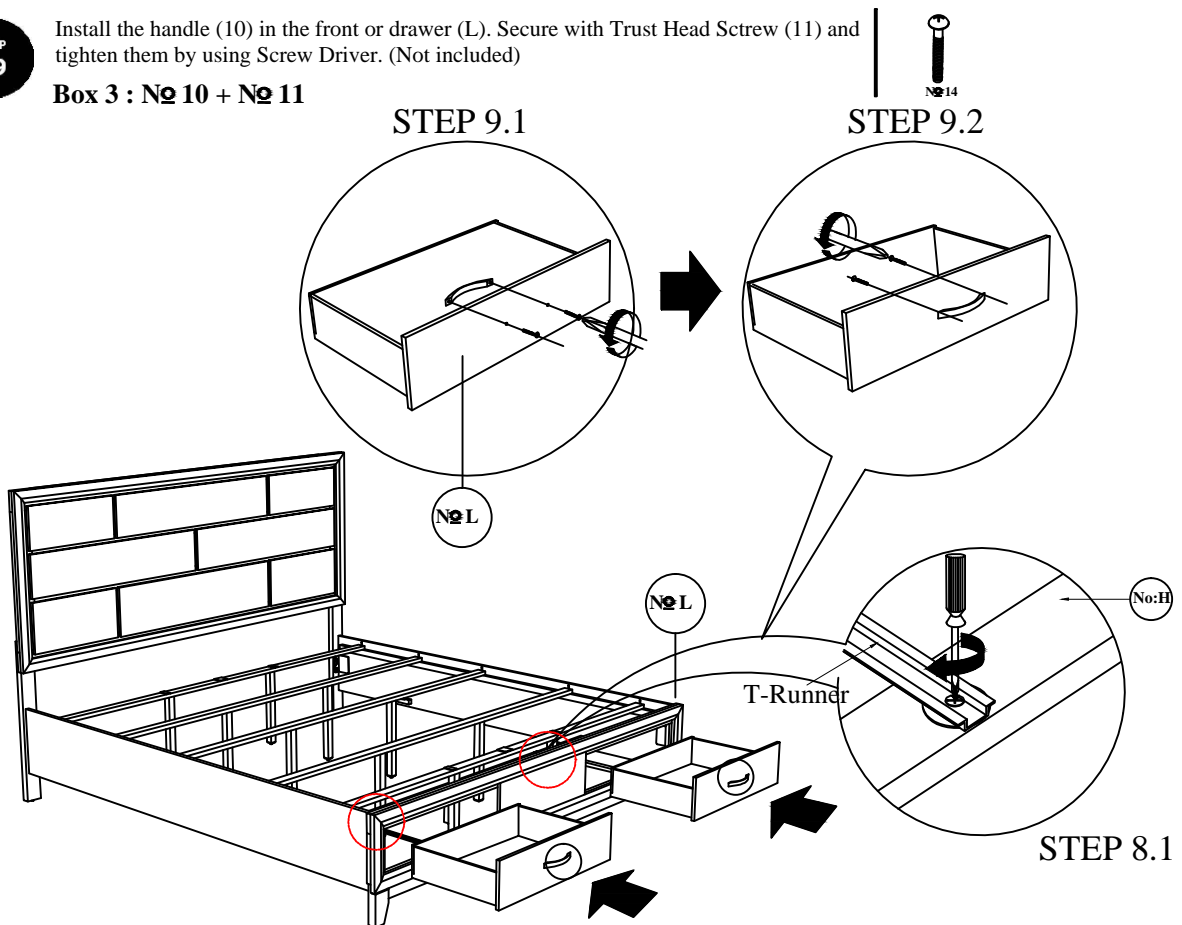
Install the handle (10) in the front of drawer (L). Secure with Trust Head Screw (11) and tighten them by using Screw Driver. (Not included)

Box 3 : № 10 + № 11



STEP 9.1

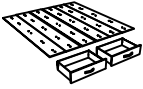
STEP 9.2



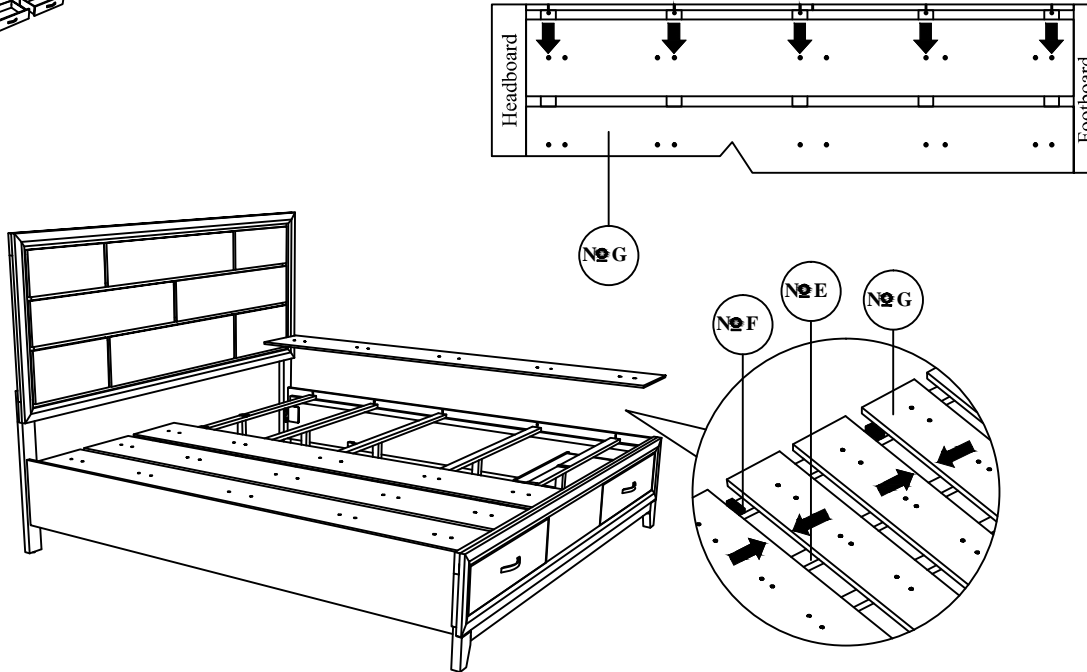
C

STEP
10

Attention! Screw on this markings on concealed panel slat (G).
Realign the Concealed Panel Slat (G) as shown.



Footboard
Structure
Assembly
Installation



STEP
11

Attach Concealed Panel (G) over the Bed Slat (E) & (F) secure with Panhead Screw (6) and tighten them by using Screw Driver. (Not included)

Box 2 : No G + No 6

