

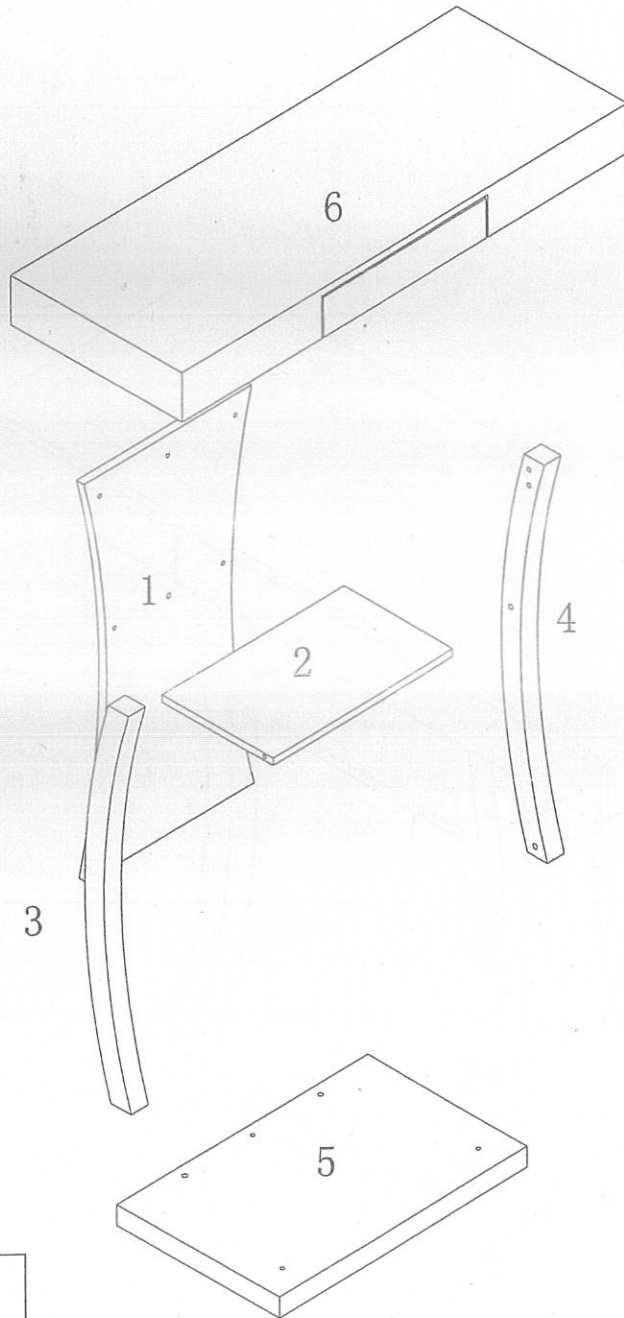
ASSEMBLY INSTRUCTIONS /
INSTRUCTIONS D'ASSEMBLAGE

ITEM NO/NO ARTICLE: Console/Table console
29308 172140 182307



PARTS IDENTIFICATIONS /
IDENTIFICATION DES PIECES

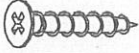

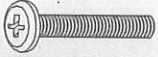



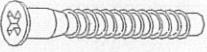
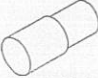
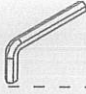


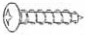
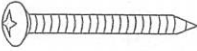

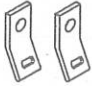
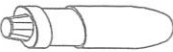
ITEM NO/NO ARTICLE: Console/Table console
29308 172140 182307



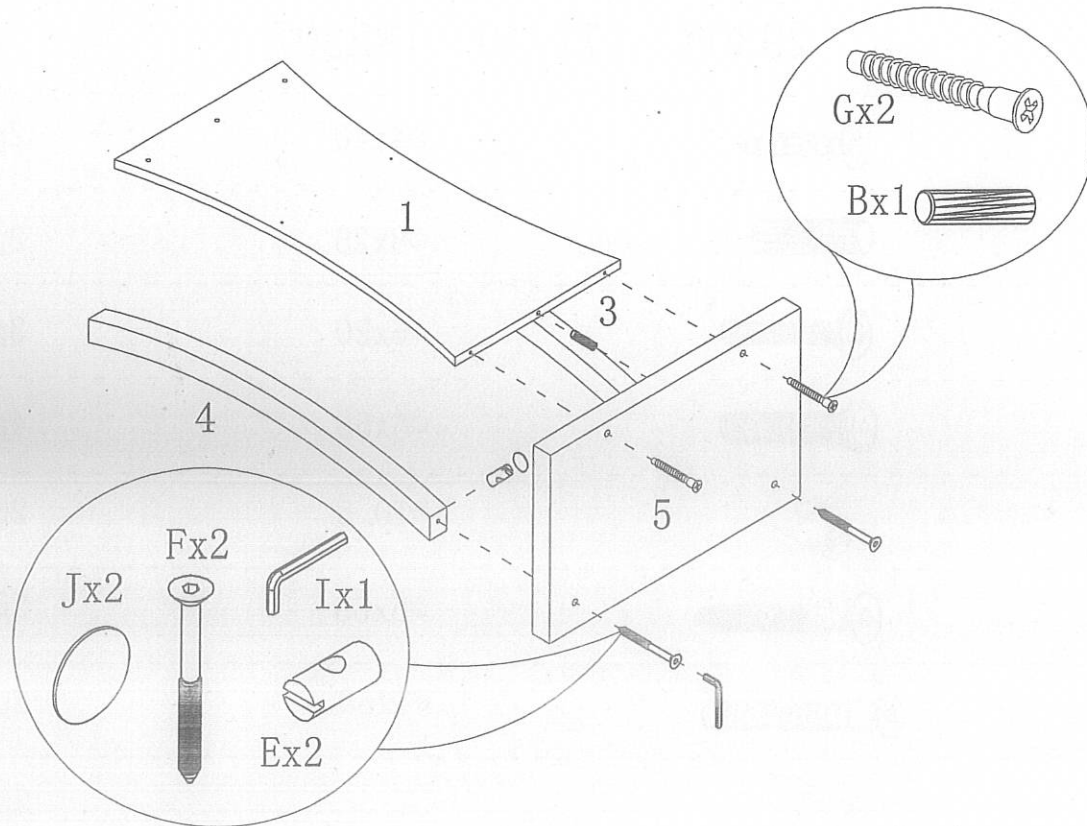
- | | |
|-----|-----|
| (1) | 1pc |
| (2) | 1pc |
| (3) | 1pc |
| (4) | 1pc |
| (5) | 1pc |

HARDWARE IDENTIFICATIONS/ IDENTIFICATION DU KIT D'ASSEMBLAGE

ITEM NO/NO ARTICLE: Console/Table console
29308 172140 182307

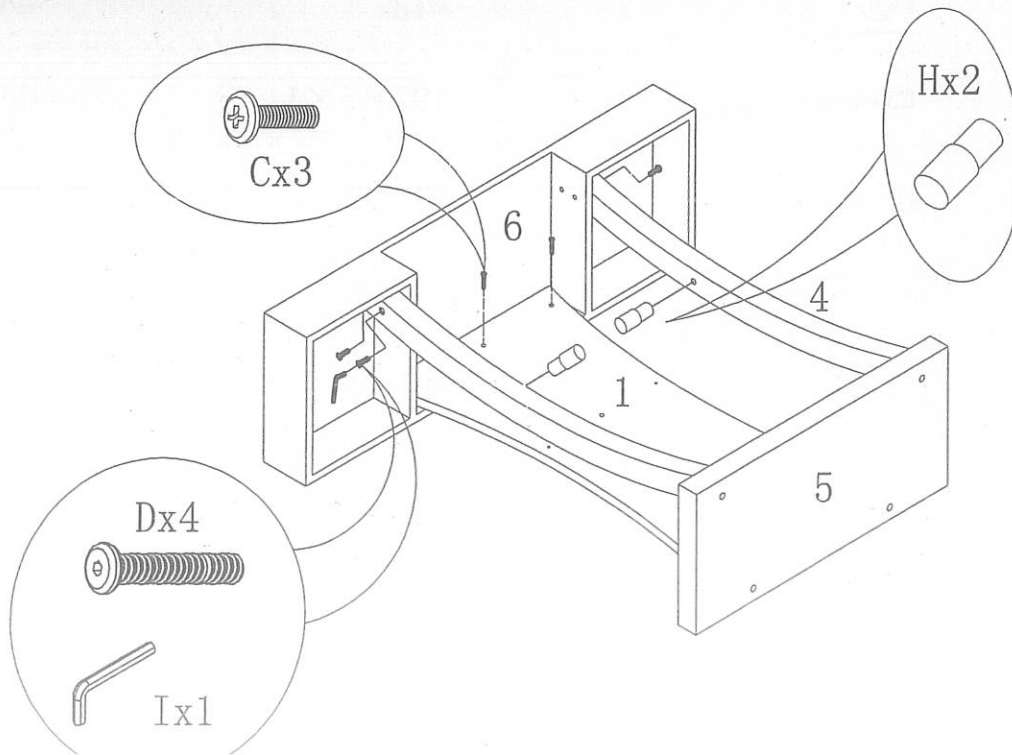
A		ø4x40	2pcs
B		ø8x25	2pcs
C		ø6x20	3pcs
D		ø6x50	4pcs
E		ø10.5	2pcs
F		ø6x65	2pcs
G		ø7x58	2pcs
H			2pcs
I		M4	1pc
J		ø13	2pcs
K		197×5×1	1pc
L		ø4×25	1pc
M		ø5×40	1pc
N		ø8×40	1pc
O		12×12×1	2pcs
P		Glue: For securing please apply to wood dowel first before inserting into panel	1pc

ITEM NO/NO ARTICLE: Console/Table console
29308 172140 182307

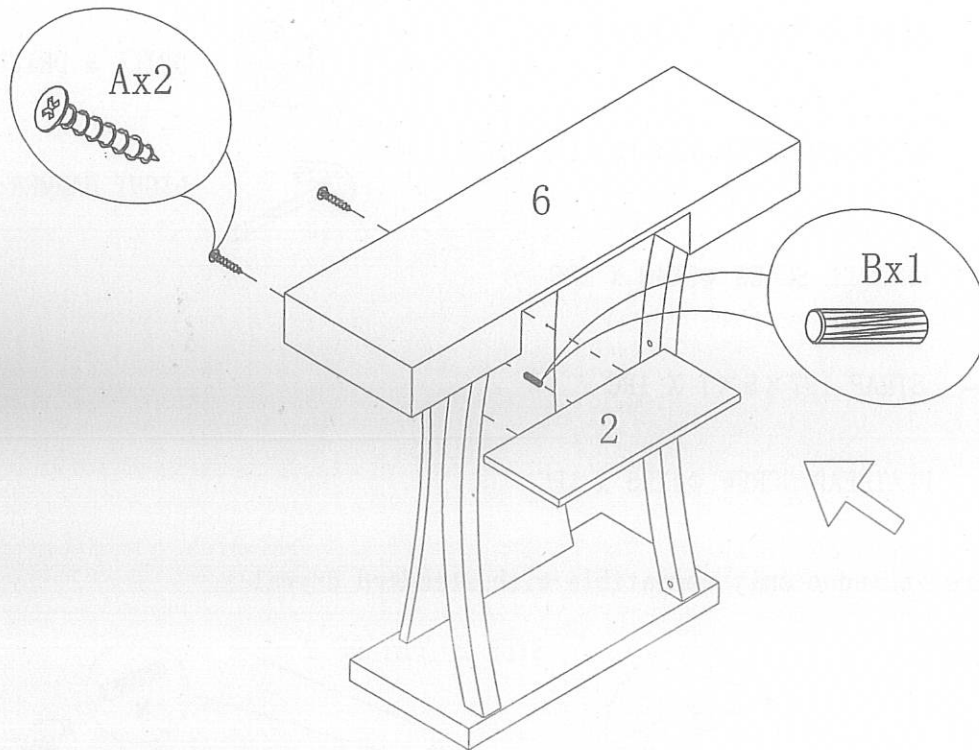


STEP 1 / ETAPE 1

STEP 2 / ETAPE 2

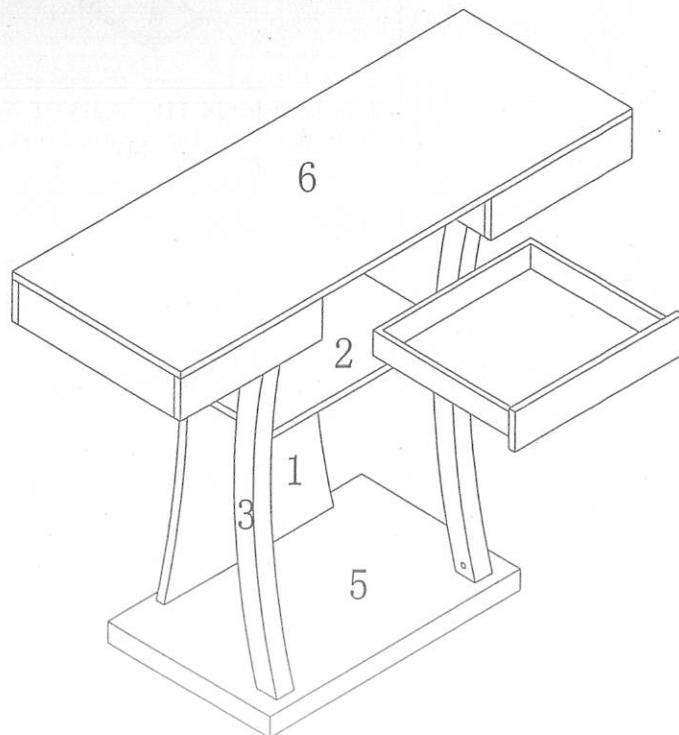


ITEM NO/NO ARTICLE: Console/Table console
29308 172140 182307



STEP 3 / ETAPE 3

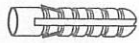
STEP 4 / ETAPE 4



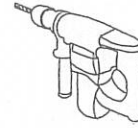
ANTI-TIPPING STRAP INSTRUCTION

HARDWARE (INCLUDED) :

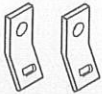
TOOLS NEEDED (NOT INCLUDED) :



DRYWALL ANCHOR $\phi 8 \times 40$ X 1PC



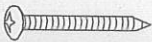
DRILL & DRILL BIT



METAL BRACKETS $12 \times 12 \times 1$ X 2PCS



LIGHT HAMMER



DRYWALL SCREW $\phi 5 \times 40$ X 1PC



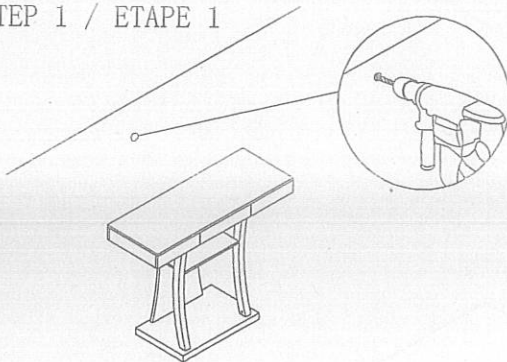
STRAP $197 \times 5 \times 1$ X 1PC



FLATHEAD SCREW $\phi 4 \times 25$ X 1PC

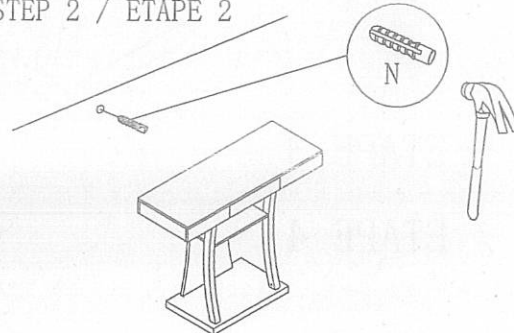
Note: Hardware included only compatible with standard drywalls.

STEP 1 / ETAPE 1



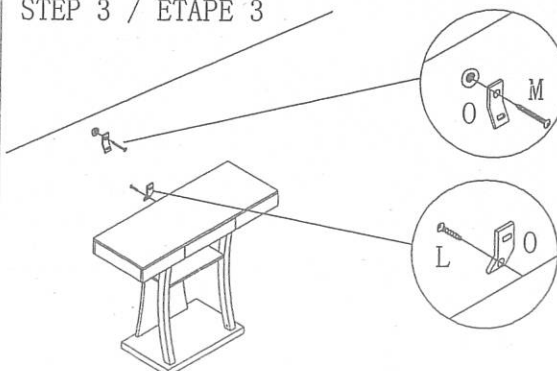
1. Find spot on wall 1" below top of item.
2. Using a drill bit slightly thinner than anchor, drill hole into drywall.

STEP 2 / ETAPE 2



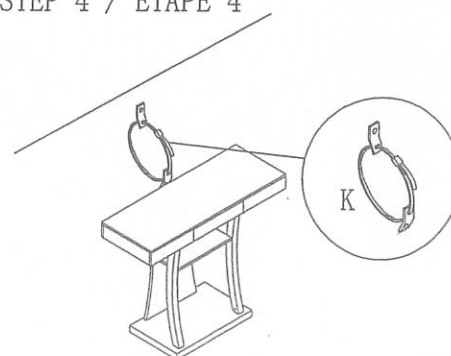
1. Use a light hammer to tap anchor into hole.
2. Anchor should fit snugly. If hole is too small, drill again to increase hole size. Do not force anchor into wall.

STEP 3 / ETAPE 3



1. Insert drywall screw into metal bracket and into drywall anchor.
2. Insert flathead screw into second metal bracket and into back of item, along top edge.

STEP 4 / ETAPE 4



1. Insert strap thru bracket attached to wall, then thru bracket on item, and into head of strap.
2. pull lightly til strap stops. Assembly is complete.