

# ASSEMBLY INSTRUCTIONS

## 1901 TWIN/TWIN XL

### COMPONENT PARTS

Please check that you have all the parts listed below



1

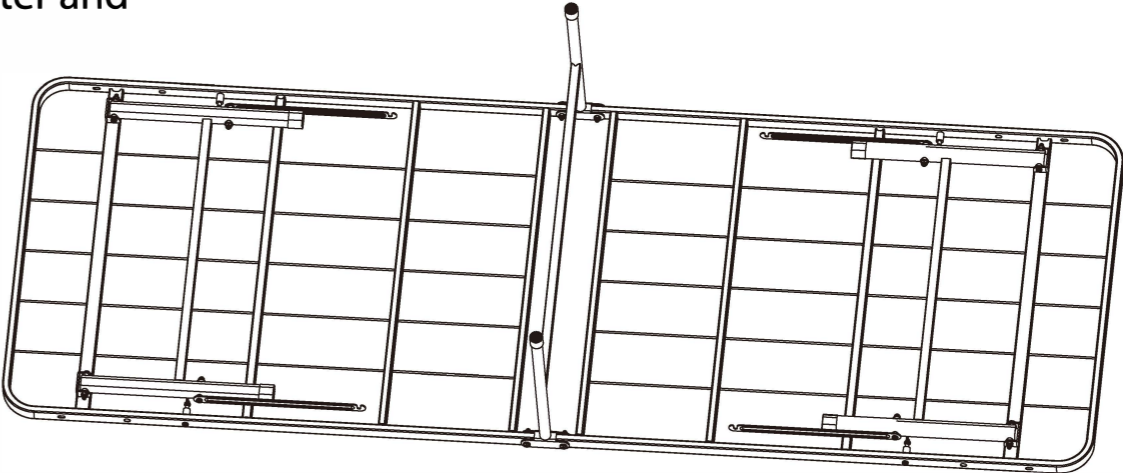
Remove all components from the carton(s) and position them on the floor.

NOTE: Twin / Twin XL sizes (quantity 1). All other sizes (quantity 2).



2

Unfold the unit from the center and lay flat.

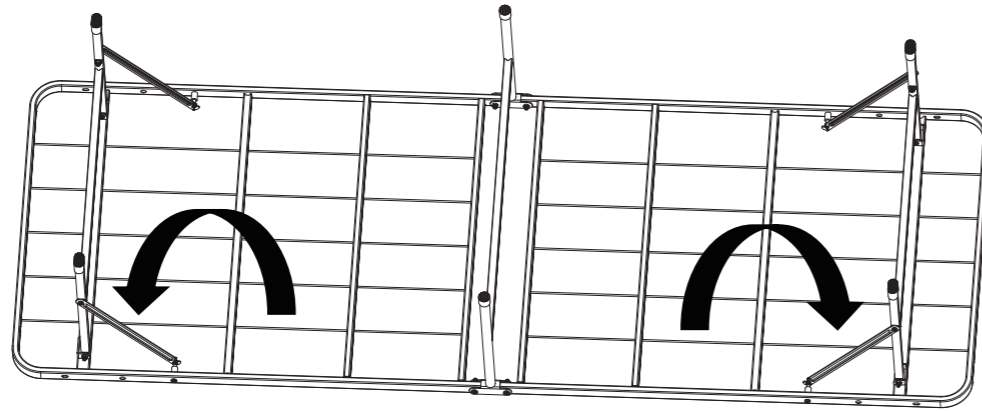


## ASSEMBLY INSTRUCTIONS

3

Raise all six legs to the upright position.

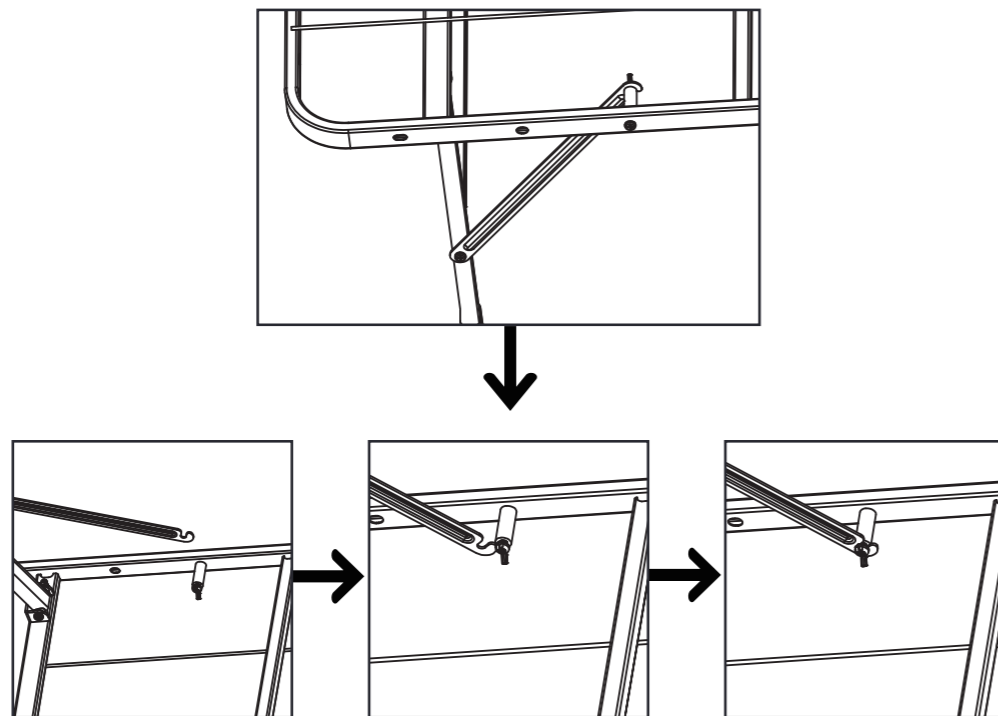
Each of the four end legs have separate support arms.



4

Rotate the support arms to hook onto the bolts and tighten with installed wing nuts. Repeat the process for the remaining three end legs

NOTE: The two center legs do not require wing nuts.



## ASSEMBLY INSTRUCTIONS

5

Turn the IdealBase over and upright

For Twin or Twin XL, Your Bed is Complete.

For all other sizes, repeat steps 1 - 4 for the additional Ideal-Base unit.



## ASSEMBLY COMPLETE

