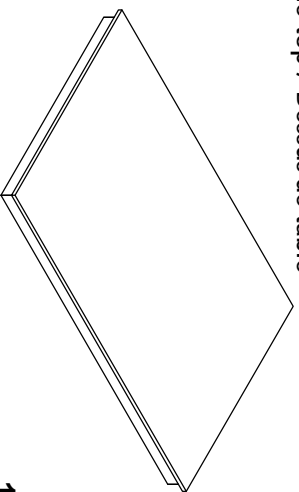


# ASSEMBLY INSTRUCTION / INSTRUCTIONS D'ASSEMBLAGE

Description: DINING TABLE  
Item No: 4921 TN-492-DT

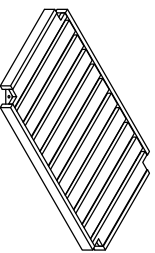
## LIST OF PARTS / IDENTIFICATION DES PIÈCES

(A) Table top / Dessus de table



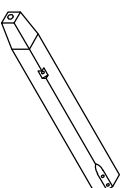
1PC

(B) Bottom shelf / Étagère



1 PC

(C) Leg / Pied



4 PCS

## LIST OF HARDWARE / IDENTIFICATION DU KIT

1. Bolt / Boulon



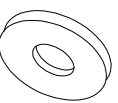
5/16" x 60mm (12 pcs)

2. Spring washer / Rondelle



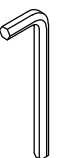
5/16" (12 pcs)

3. Flat washer / Rondelle



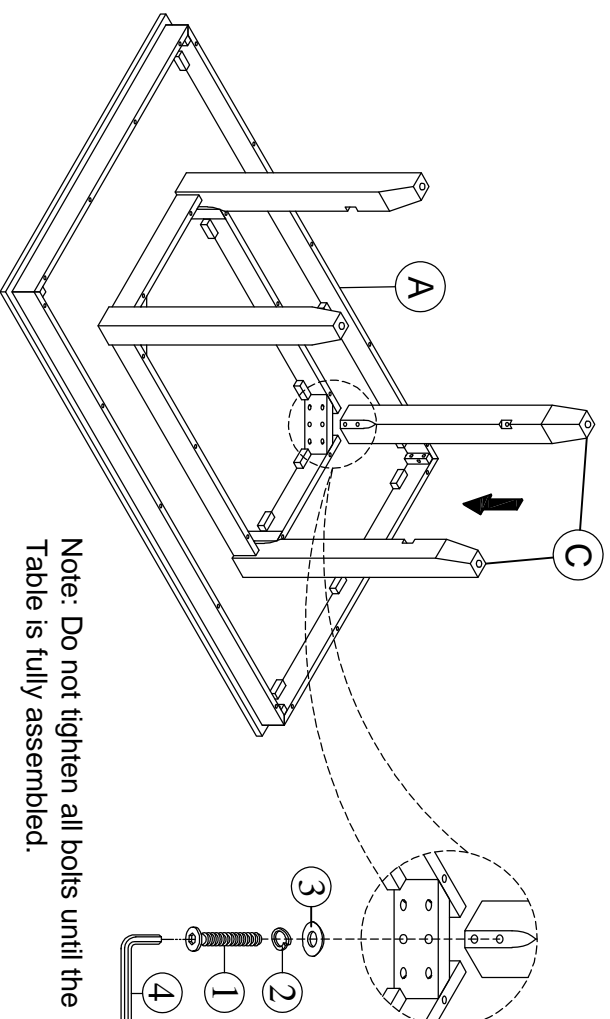
5/16" x 19mm(12 pcs)

4. Allen key / Cle hexagonale



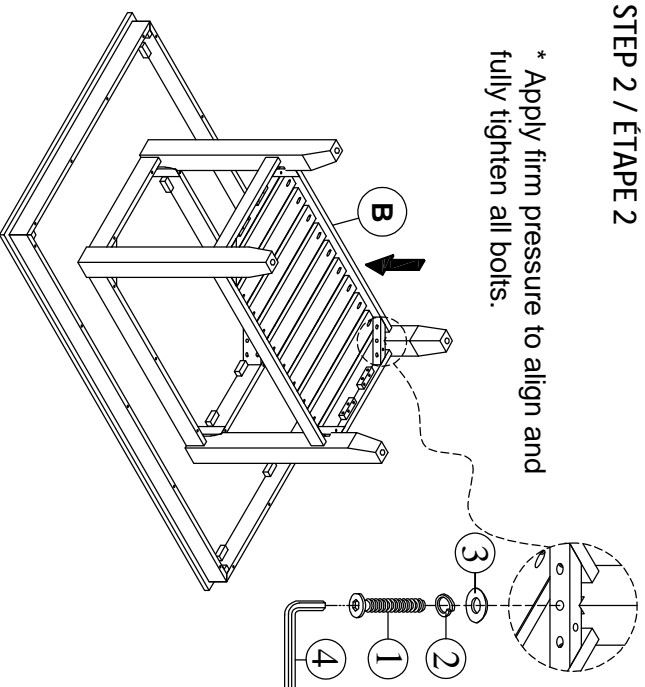
4mm(1 pc)

## STEP 1 / ÉTAPE 1



## STEP 2 / ÉTAPE 2

\* Apply firm pressure to align and fully tighten all bolts.



## COMPLETED / TERMINE

