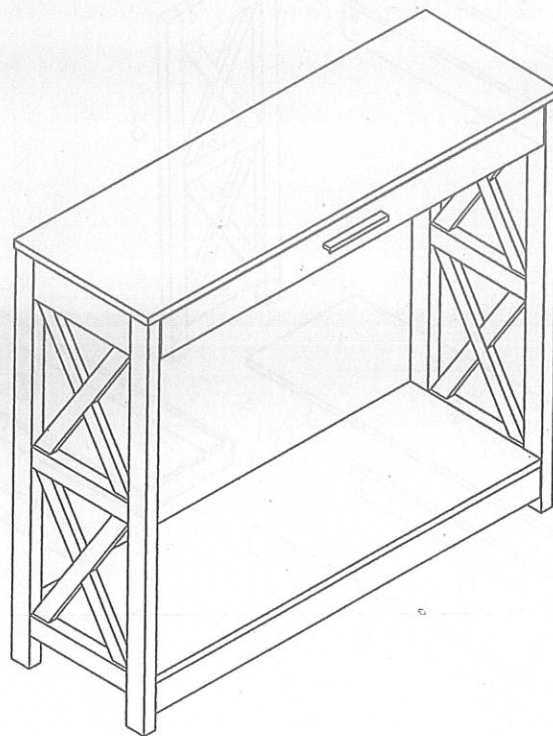


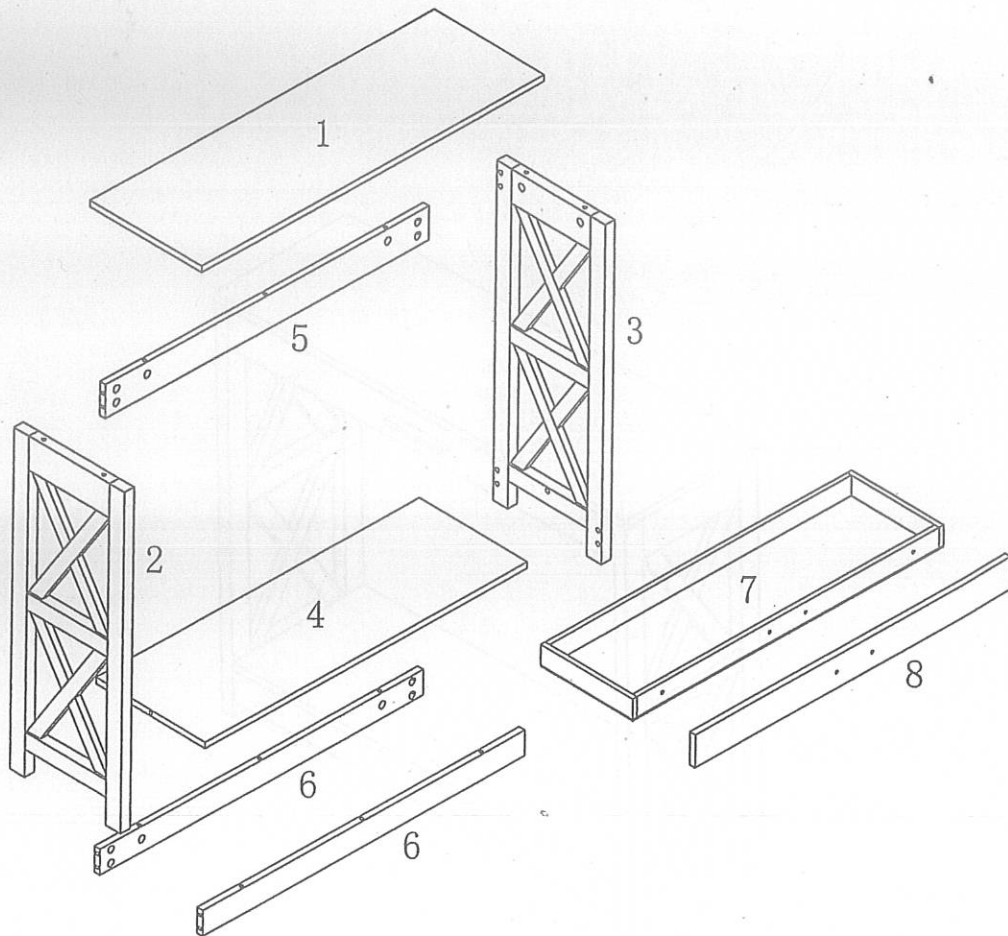
ASSEMBLY INSTRUCTIONS / INSTRUCTIONS D'ASSEMBLAGE

ITEM NO/NO ARTICLE: CONSOLE/TABLE
192614 192615 192616



ASSEMBLY INSTRUCTIONS / INSTRUCTIONS D'ASSEMBLAGE

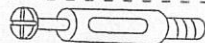


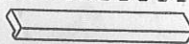
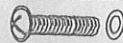



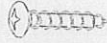
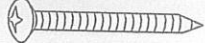
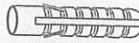


ITEM NO/NO ARTICLE: CONSOLE/TABLE
192614 192615 192616



(1)	1pc	(4)	1pc	(7)	1pc
(2)	1pc	(5)	1pc	(8)	1pc
(3)	1pc	(6)	2pcs		

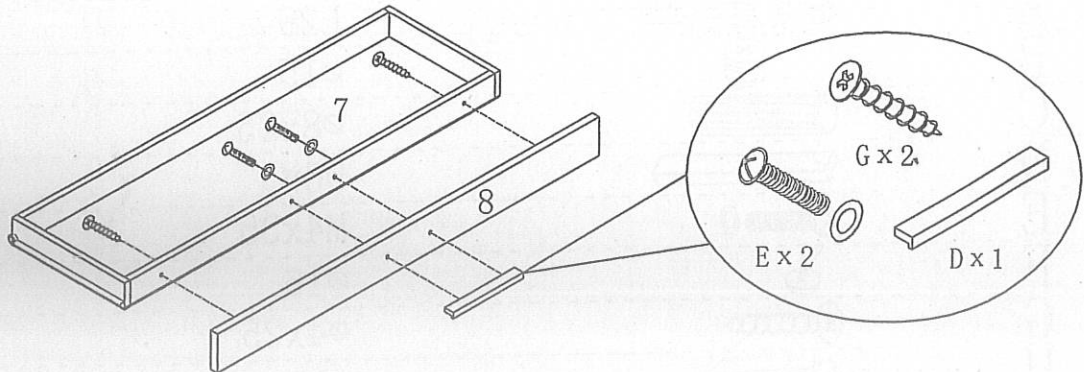
ASSEMBLY INSTRUCTIONS / INSTRUCTIONS D'ASSEMBLAGE

ITEM NO/NO ARTICLE: CONSOLE/TABLE
192614 192615 192616

A		L29	24pcs
B		∅15	24pcs
C		∅8x25	3pcs
D		96#	1pc
E		M4x35	2pcs
F		∅16	4pcs
G		∅4x25	2pcs
H		197×5×1	1pc
I		∅4x25	1pc
J		∅5x40	1pc
K		∅8 x 40	1pc
L		12×12×1	2pcs
M			1pc

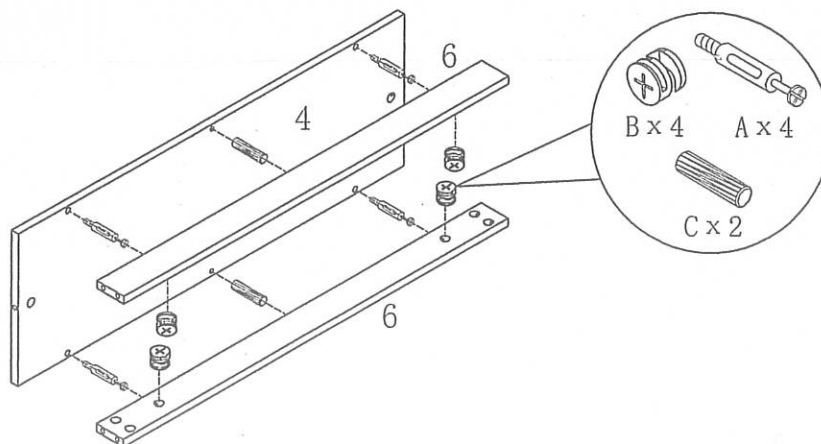
Glue: For securing please apply to wood
dowel first before inserting into panel

ITEM NO/NO ARTICLE: CONSOLE/TABLE
192614 192615 192616

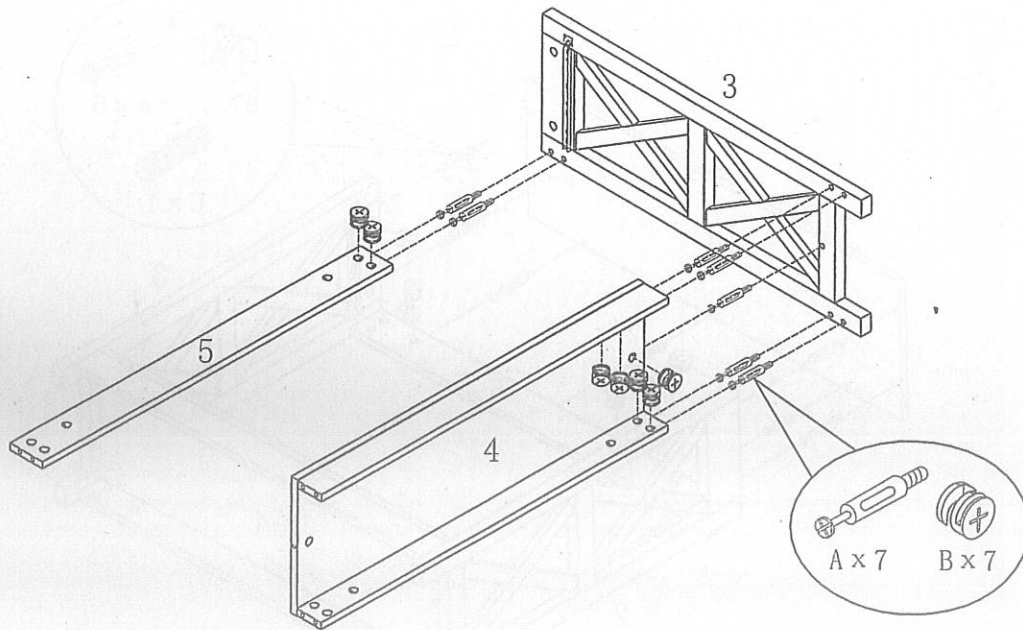


STEP 1 / ETAPE 1

STEP 2 / ETAPE 2

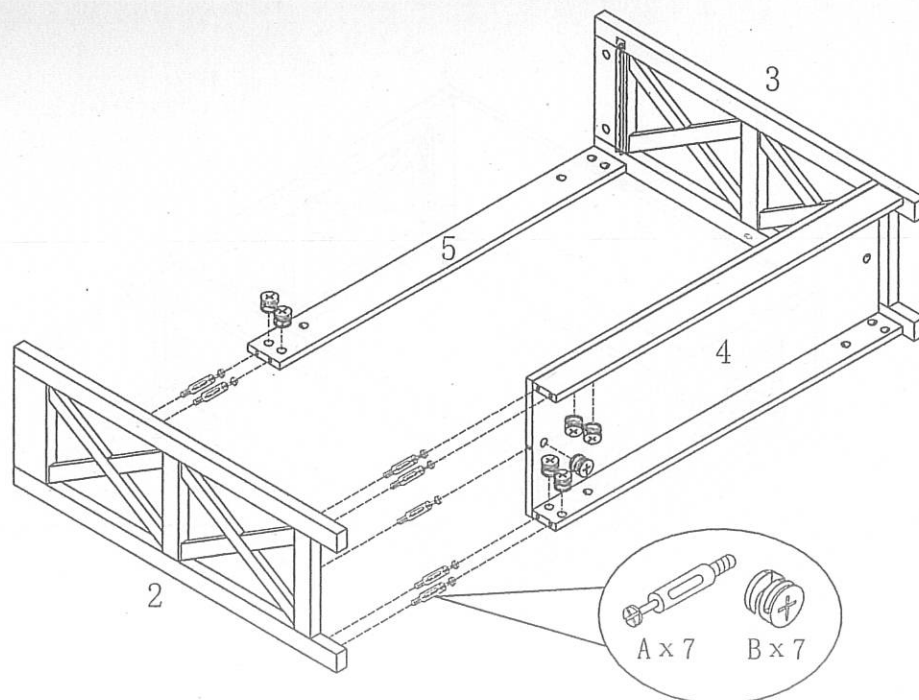


ITEM NO/NO ARTICLE: CONSOLE/TABLE
192614 192615 192616

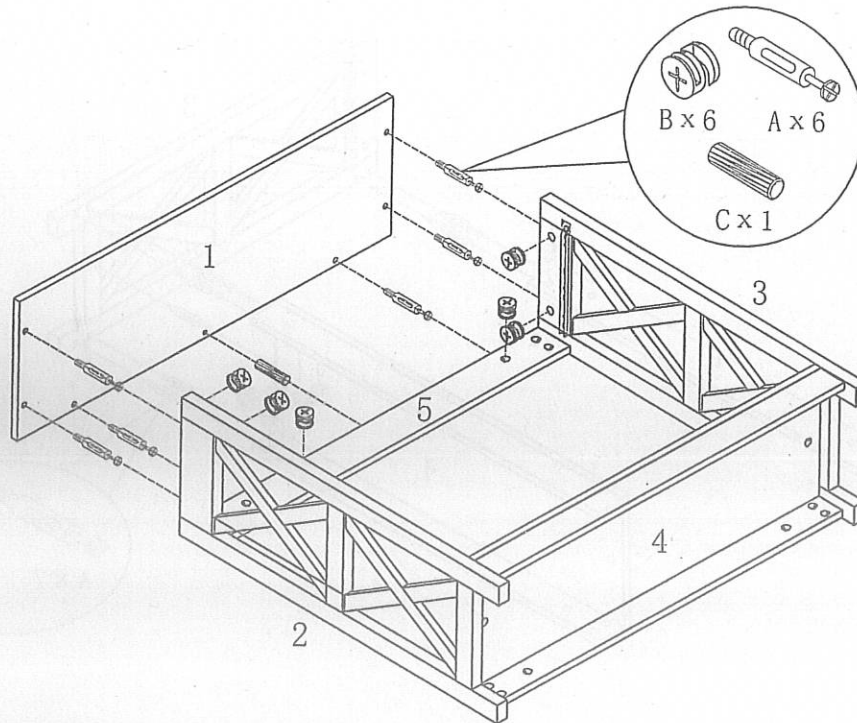


STEP 3 / ETAPE 3

STEP 4 / ETAPE 4

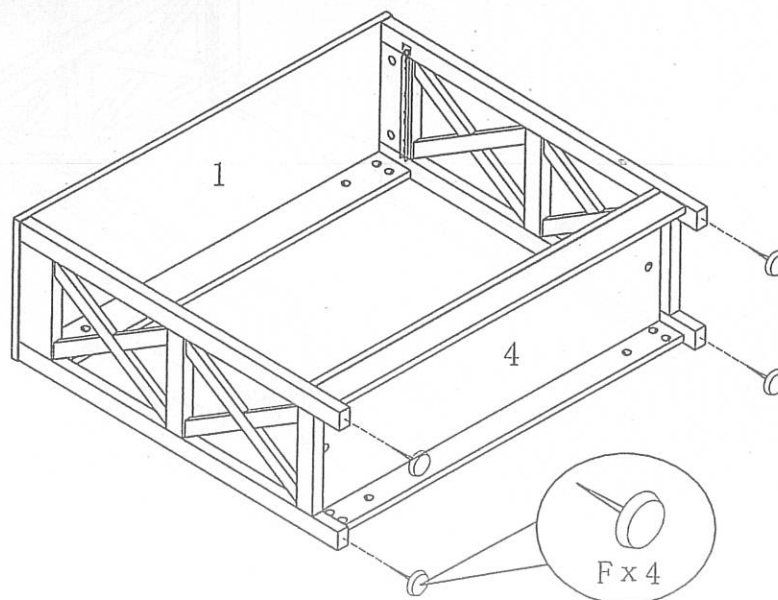


ITEM NO/NO ARTICLE: CONSOLE/TABLE
192614 192615 192616

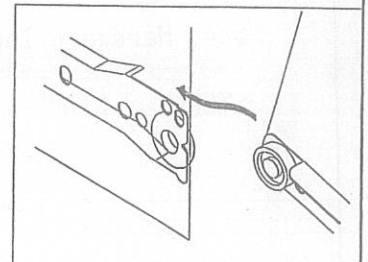
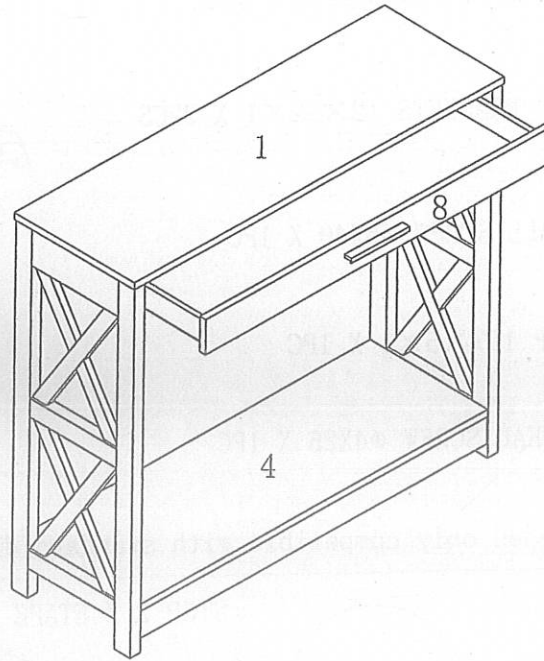


STEP 5 / ETAPE 5

STEP 6 / ETAPE 6

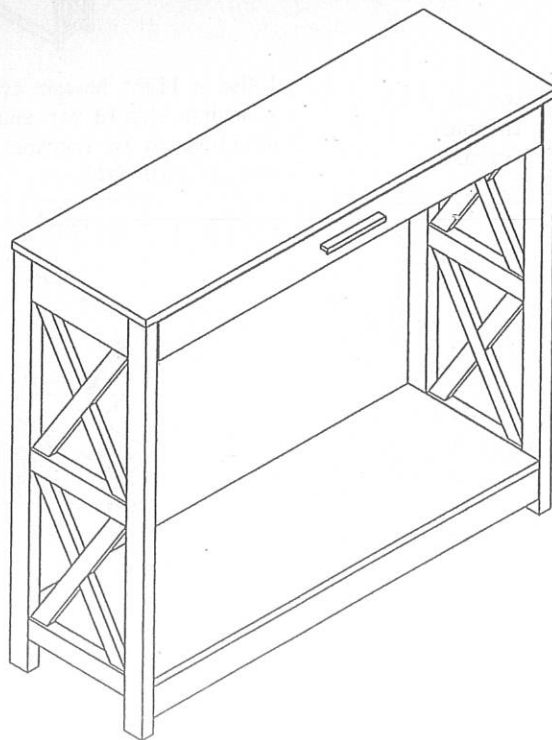


ITEM NO/NO ARTICLE: CONSOLE/TABLE
192614 192615 192616



STEP 7 / ETAPE 7

STEP 8 / ETAPE 8



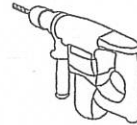
ANTI-TIPPING STRAP INSTRUCTION

HARDWARE (INCLUDED) :

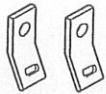
TOOLS NEEDED (NOT INCLUDED) :



DRYWALL ANCHOR $\phi 8 \times 40$ X 1PC



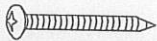
DRILL & DRILL BIT



METAL BRACKETS $12 \times 12 \times 1$ X 2PCS



LIGHT HAMMER



DRYWALL SCREW $\phi 5 \times 40$ X 1PC



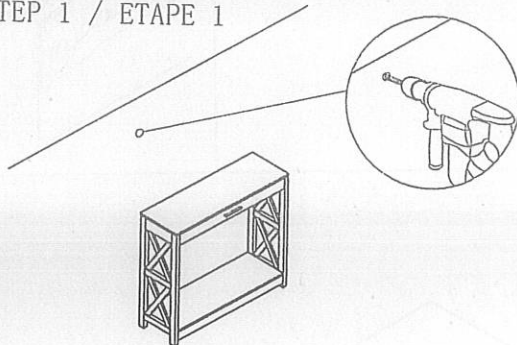
STRAP $197 \times 5 \times 1$ X 1PC



FLATHEAD SCREW $\phi 4 \times 25$ X 1PC

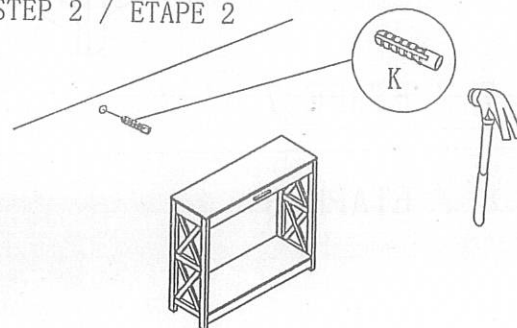
Note: Hardware included only compatible with standard drywalls.

STEP 1 / ETAPE 1



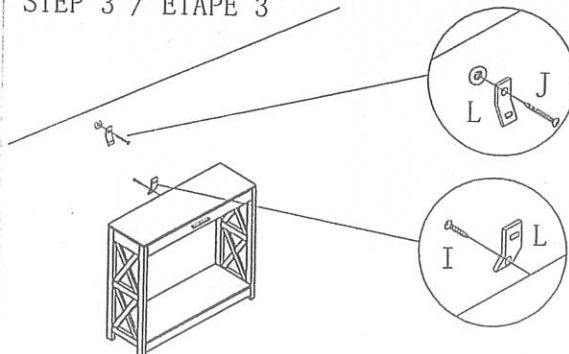
1. Find spot on wall 1" below top of item.
2. Using a drill bit slightly thinner than anchor, drill hole into drywall.

STEP 2 / ETAPE 2



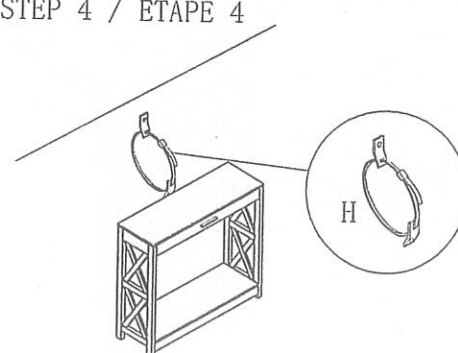
1. Use a light hammer to tap anchor into hole.
2. Anchor should fit snugly. If hole is too small, drill again to increase hole size. Do not force anchor into wall.

STEP 3 / ETAPE 3



1. Insert drywall screw into metal bracket and into drywall anchor.
2. Insert flathead screw into second metal bracket and into back of item, along top edge.

STEP 4 / ETAPE 4



1. Insert strap thru bracket attached to wall, then thru bracket on item, and into head of strap.
2. pull lightly til strap stops. Assembly is complete.