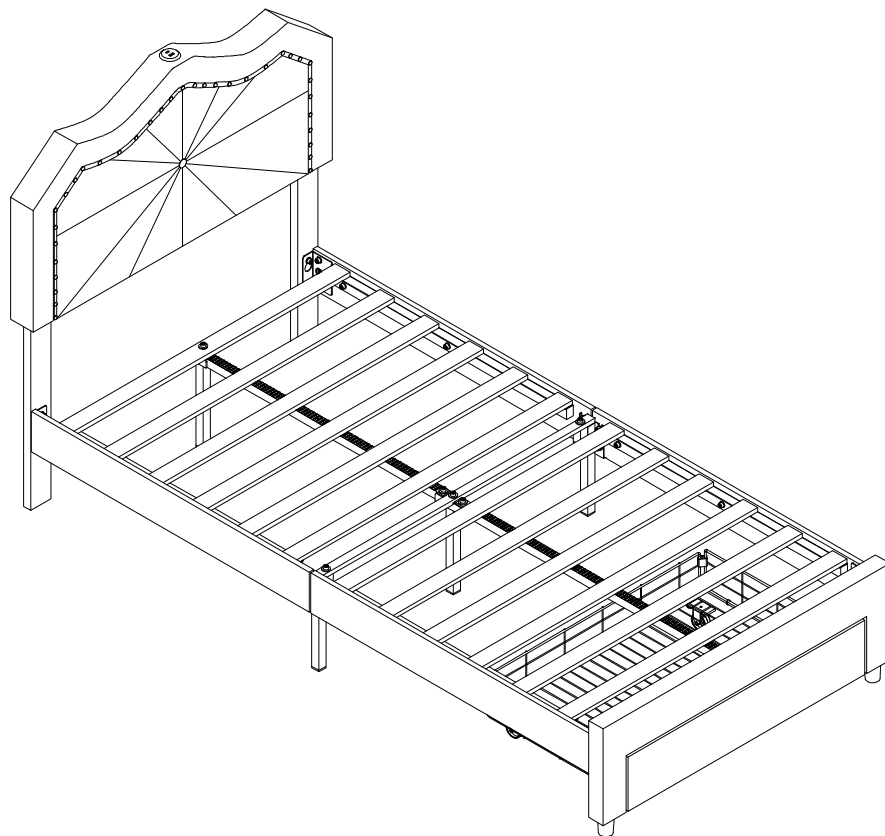
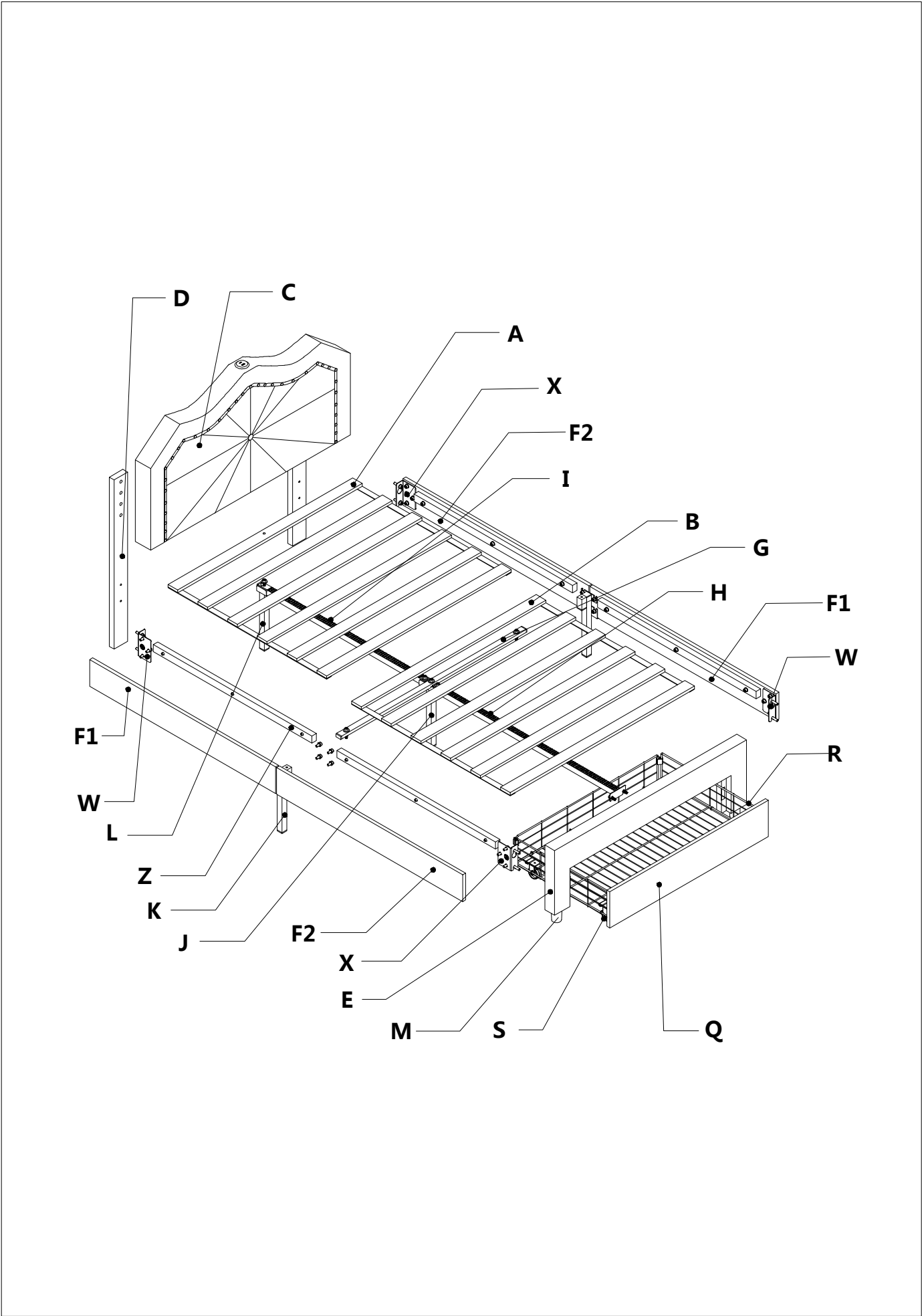


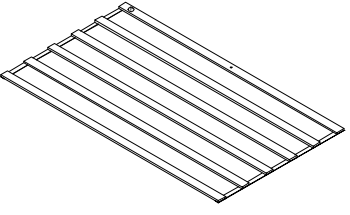
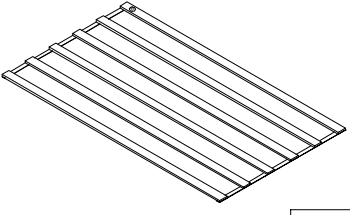
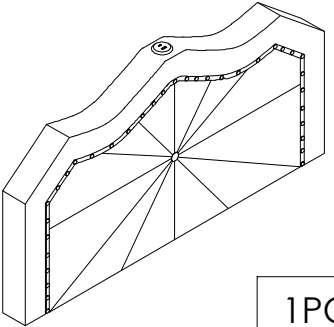
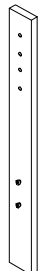
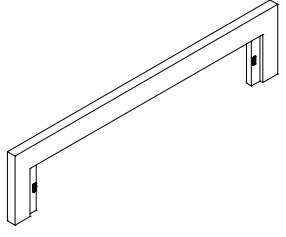
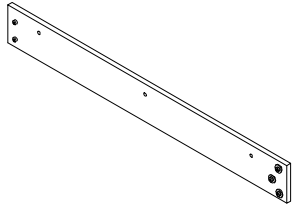
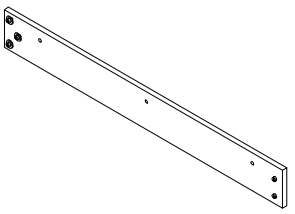
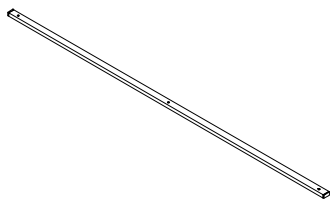
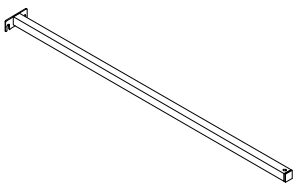
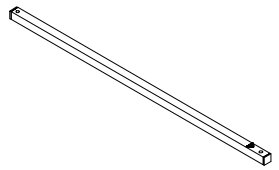
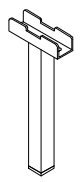
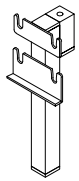
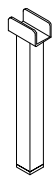

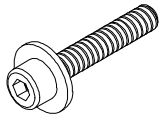
ASSEMBLY INSTRUCTION INSTRUCTIONS D'ASSEMBLAGE



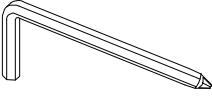
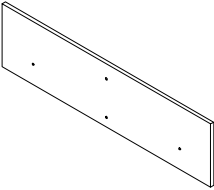


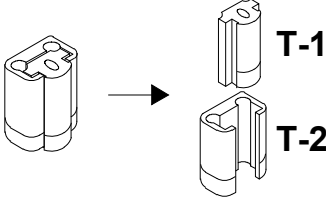

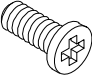
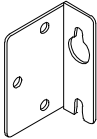
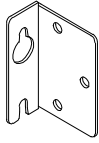
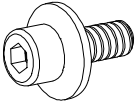
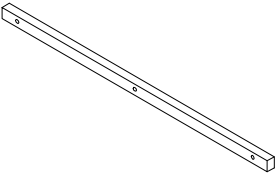
22182 TWIN PLATFORM BED / LIT PLATEFORME JUMELÉ



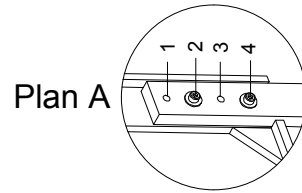
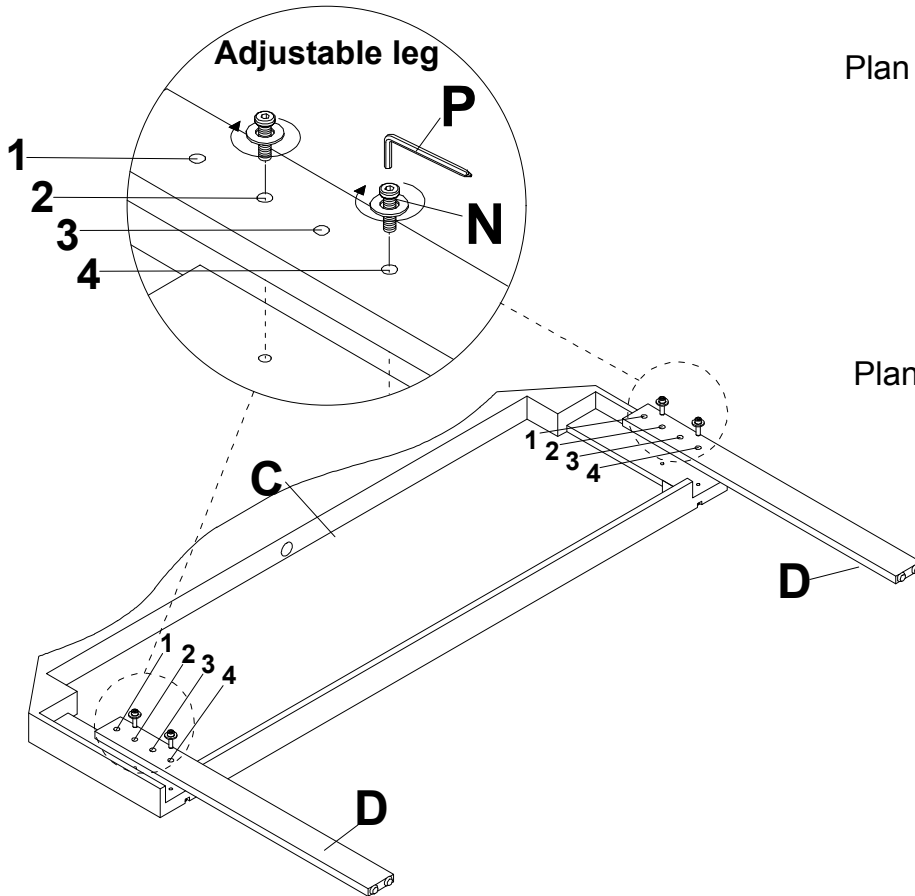
Parts List(EN) / Teile Liste(DE)

<p>A Front Slat</p>  <p>1PC</p>	<p>B Back Slat</p>  <p>1PC</p>	<p>C Headboard</p>  <p>1PC</p>
<p>D Headboard side leg</p>  <p>2PCS</p>	<p>E Footboard</p>  <p>1PC</p>	<p>F1 Left siderails</p>  <p>2PCS</p>
<p>F2 Right siderails</p>  <p>2PCS</p>	<p>G Middle cross beam</p>  <p>1PCS</p>	<p>H Back Middle cross beam</p>  <p>1PC</p>
<p>I Front Middle cross beam</p>  <p>1PC</p>	<p>J Middle leg</p>  <p>1PC</p>	<p>K Edge of the foot</p>  <p>2PCS</p>
<p>L Front Leg</p>  <p>1PC</p>	<p>M Bed leg</p>  <p>2PCS</p>	<p>N Innerscrew</p>  <p>M8×45mm 10+1PCS</p>

Parts List(EN) / Teile Liste(DE)

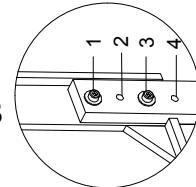
<p>P Inner allen wrench</p>  <p>1PC</p>	<p>Q Drawer panel</p>  <p>1PC</p>	<p>R Drawer</p>  <p>1PC</p>
<p>S Drawer wheel</p>  <p>4PCS</p>	<p>T Drawer connector</p>  <p>2PCS</p>	<p>U Screw</p>  <p>M6×6mm 4+1PCS</p>
<p>V Screw</p>  <p>M6×15mm 3+1PCS</p>	<p>W Left Bracket</p>  <p>2PCS</p>	<p>X Right Bracket</p>  <p>2PCS</p>
<p>Y Innerscrew</p>  <p>M8×40mm 12PCS</p>	<p>Z Support Wood</p>  <p>4PCS</p>	

STEP 1 / ÉTAPE 1





Plan A

Fits a 10 inch thick mattress when attach screws to Hole 2 & Hole 4.

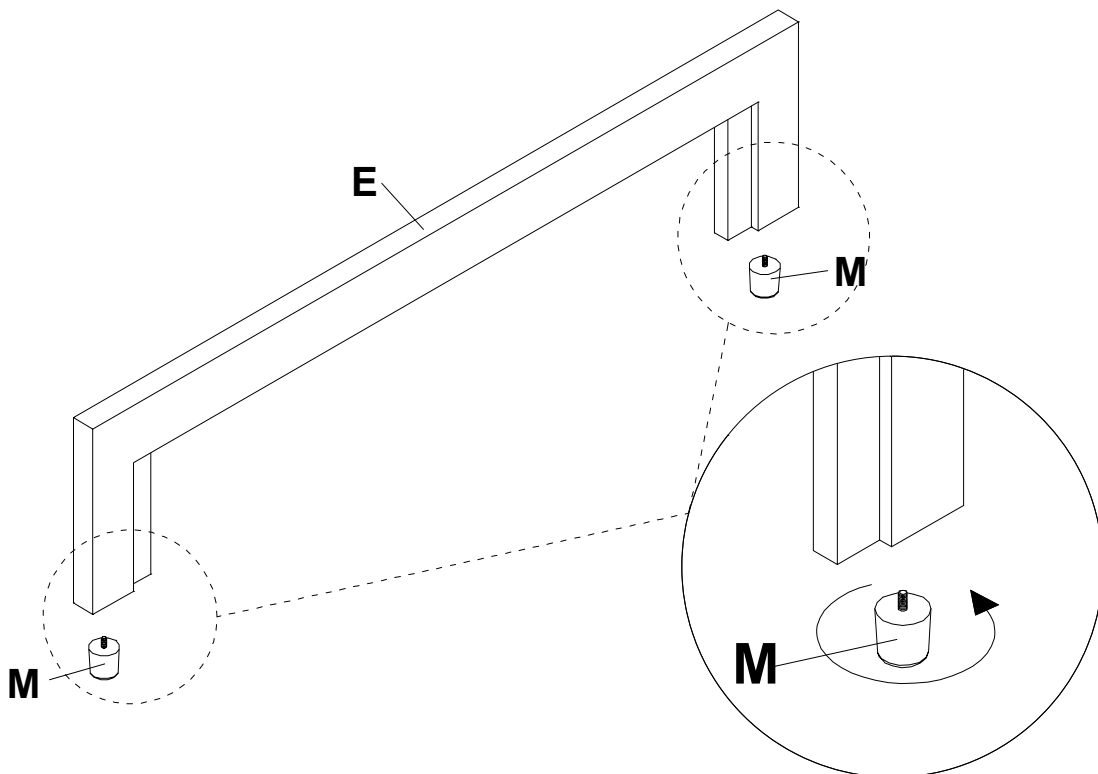


Plan B

Fits a 12 inch thick mattress when attach screws to Hole 1 & Hole 3.

	N x 4pcs
	P x 1pc

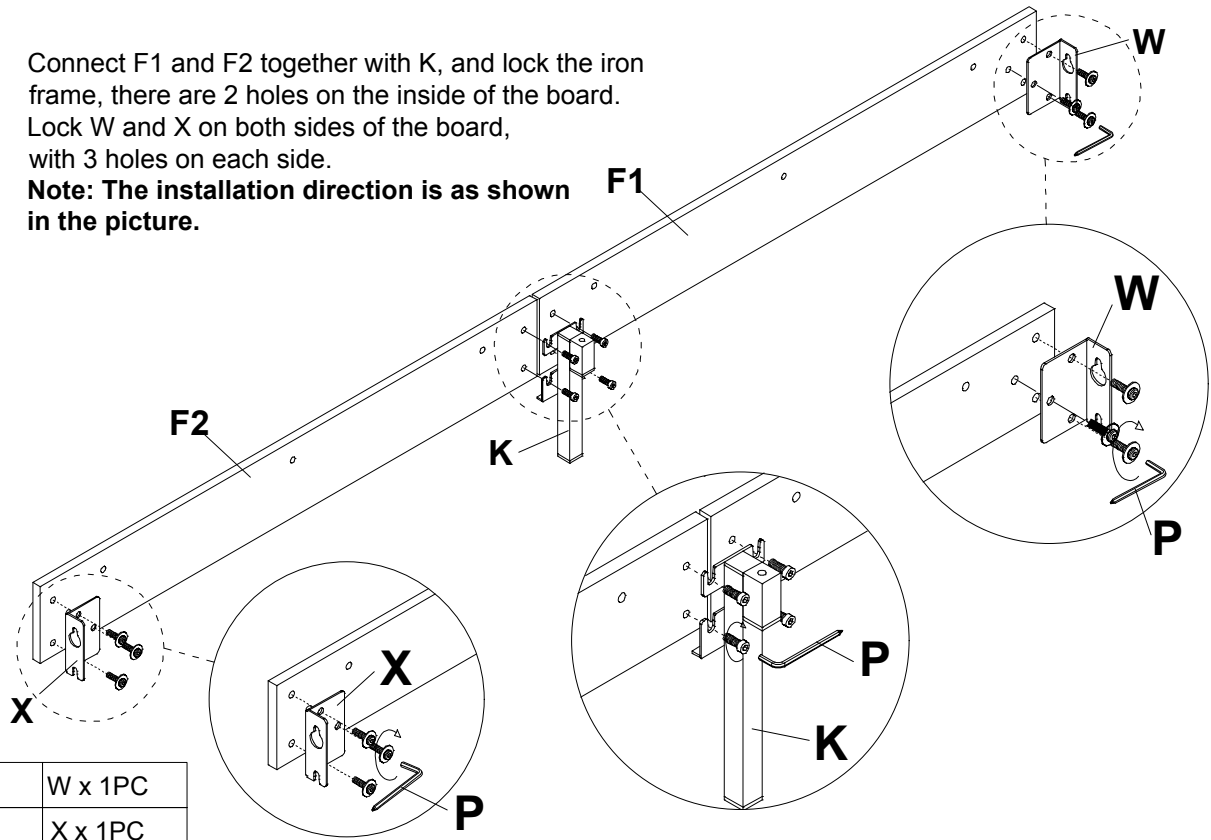
STEP 2 / ÉTAPE 2



STEP 3 / ÉTAPE 3

Connect F1 and F2 together with K, and lock the iron frame, there are 2 holes on the inside of the board.
Lock W and X on both sides of the board, with 3 holes on each side.

Note: The installation direction is as shown in the picture.

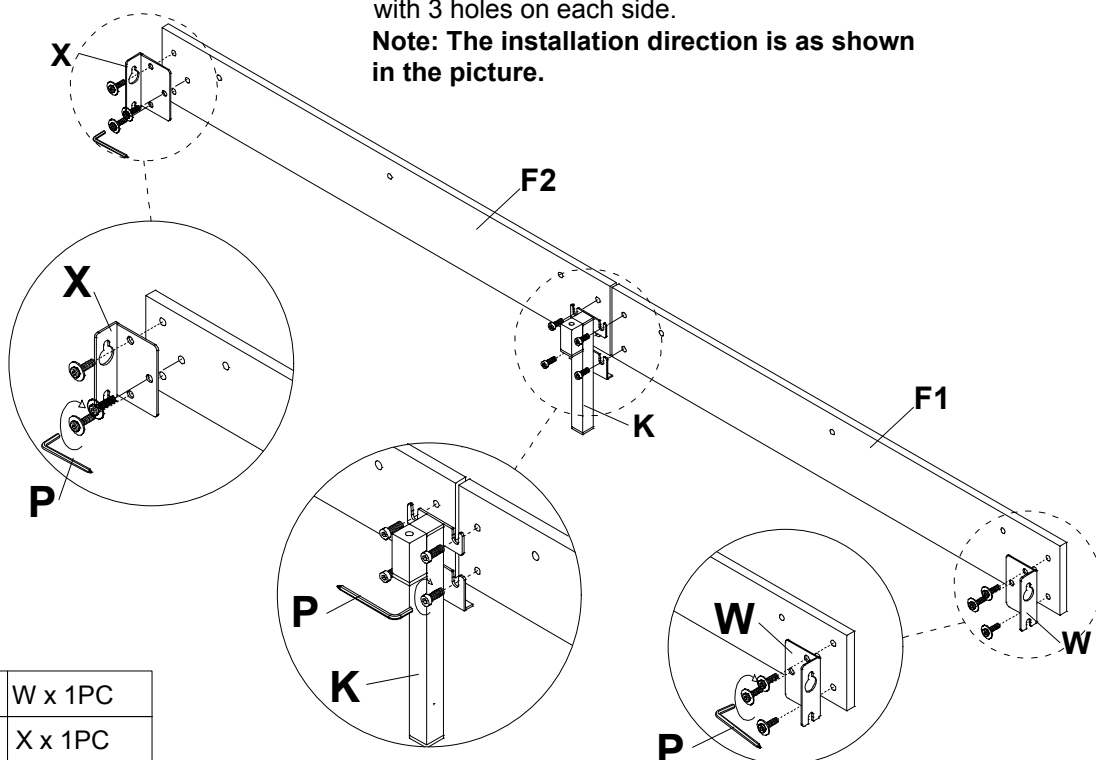


	W x 1PC
	X x 1PC
	P x 1PC

STEP 4 / ÉTAPE 4

Connect F1 and F2 together with K, and lock the iron frame, there are 2 holes on the inside of the board.
Lock W and X on both sides of the board, with 3 holes on each side.

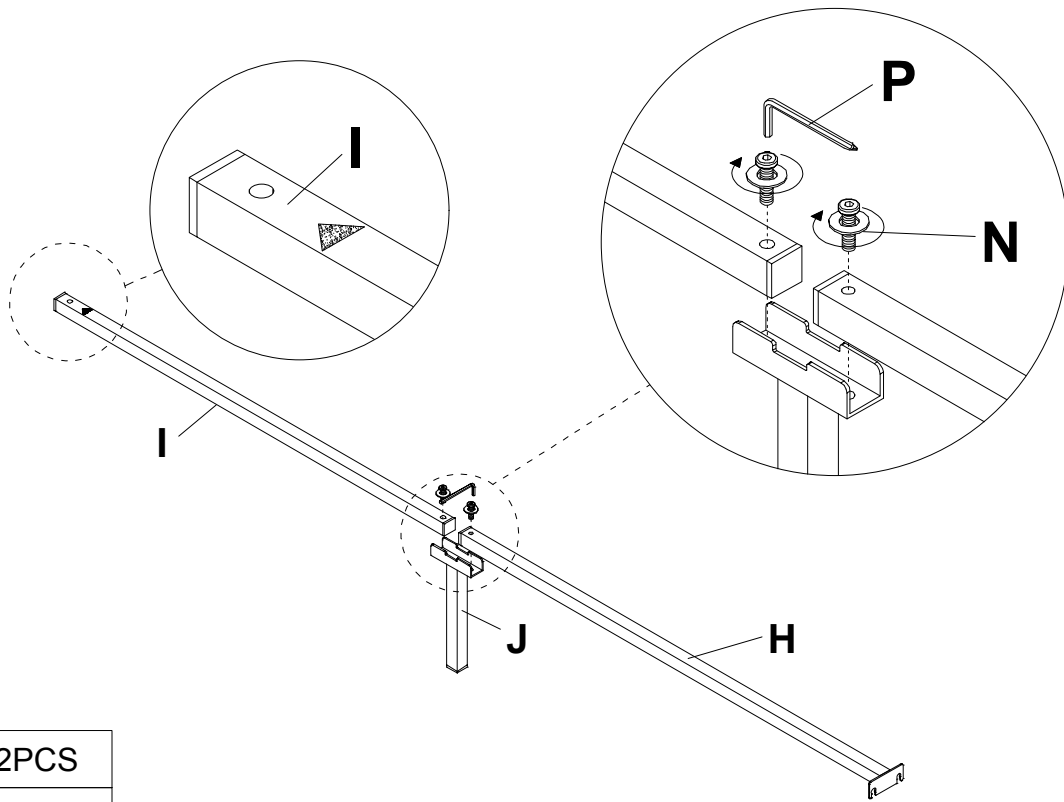
Note: The installation direction is as shown in the picture.





	W x 1PC
	X x 1PC
	P x 1PC

STEP 5 / ÉTAPE 5

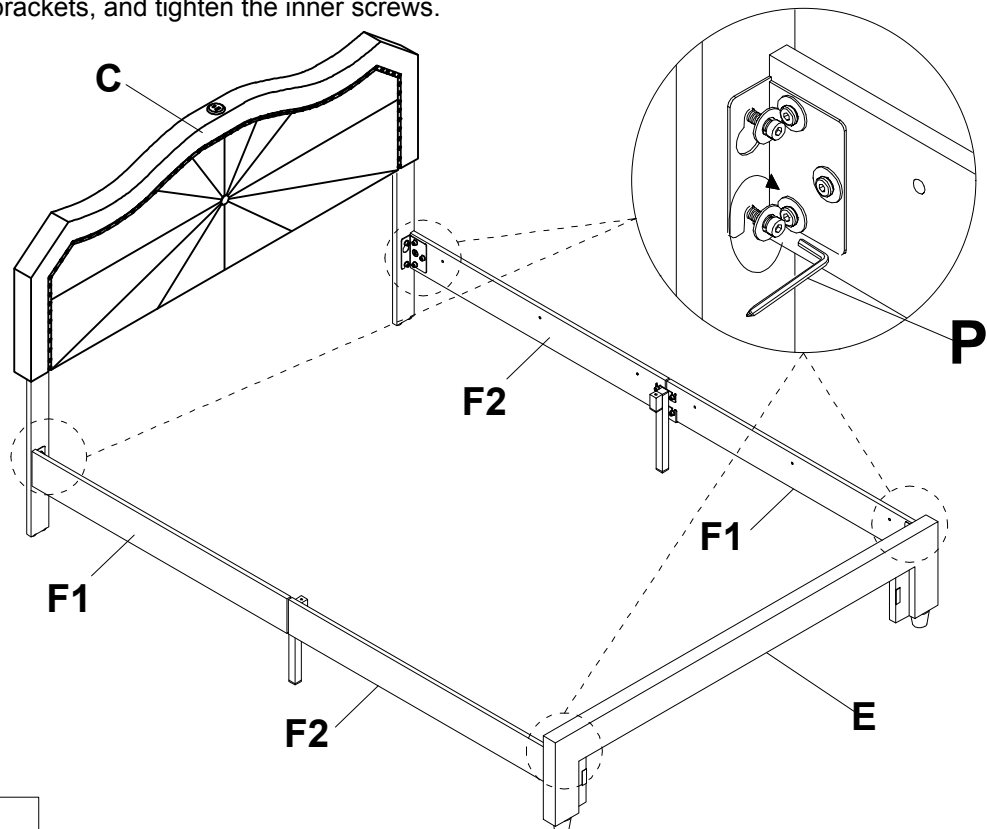
Noted that the red arrow is pointing towards the front.




	N x 2PCS
	P x 1PC

STEP 6 / ÉTAPE 6

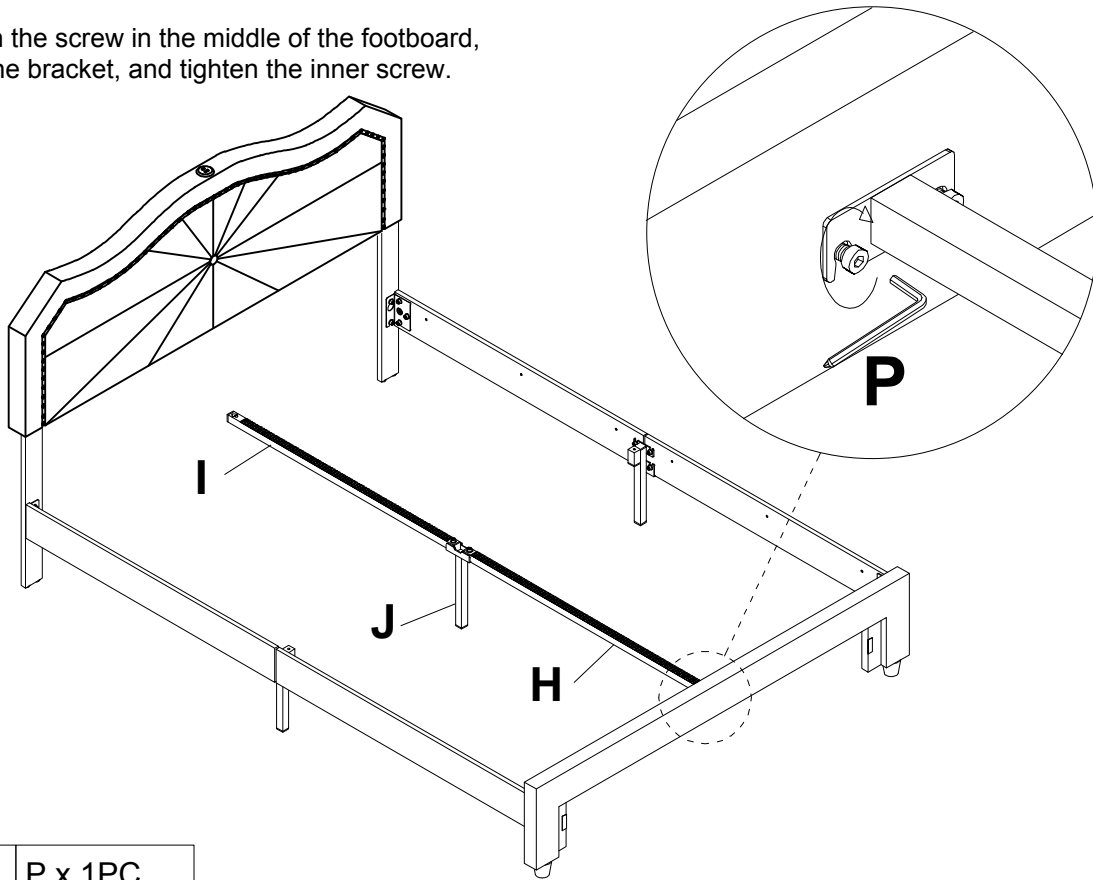
Loosen the screws on the side legs of the headboard and footboard, hang the brackets, and tighten the inner screws.



	P x 1PC
---	---------

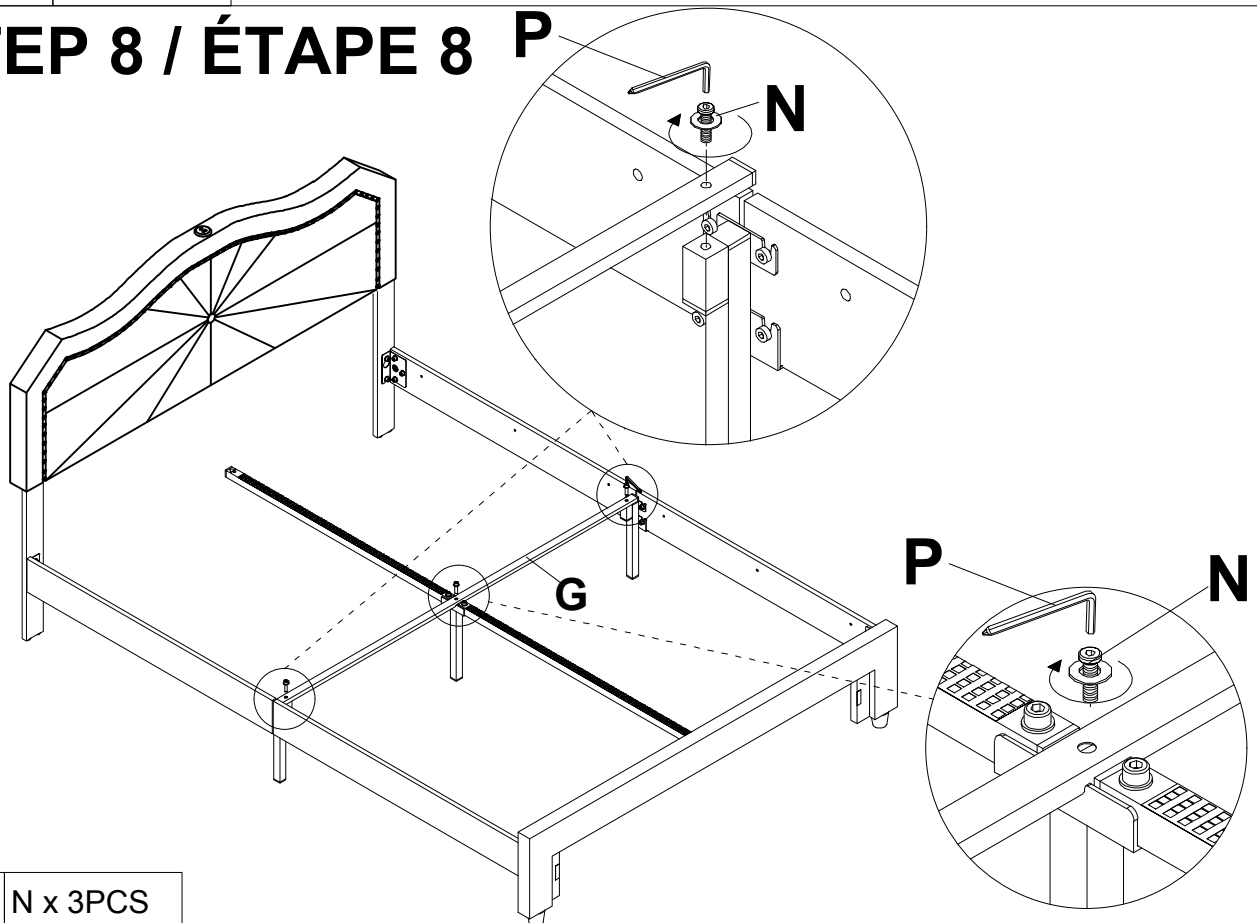
STEP 7 / ÉTAPE 7

Loosen the screw in the middle of the footboard, hang the bracket, and tighten the inner screw.



P x 1PC

STEP 8 / ÉTAPE 8

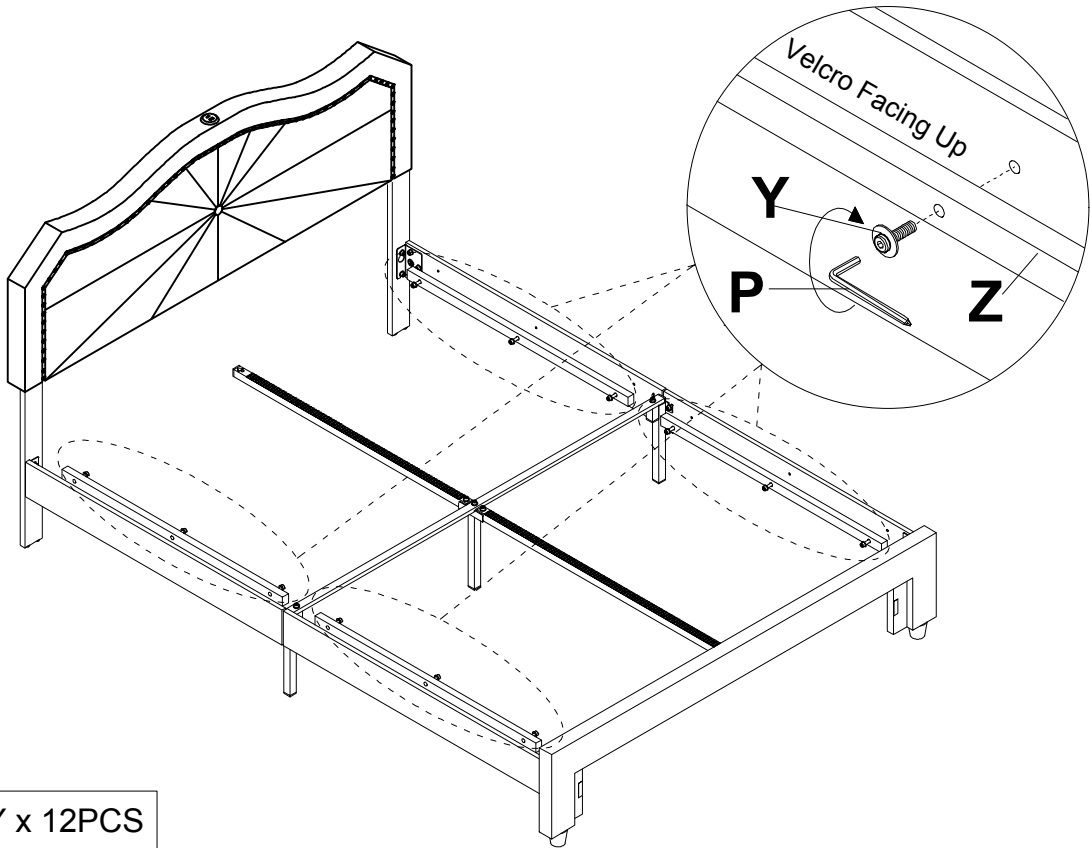




N x 3PCS



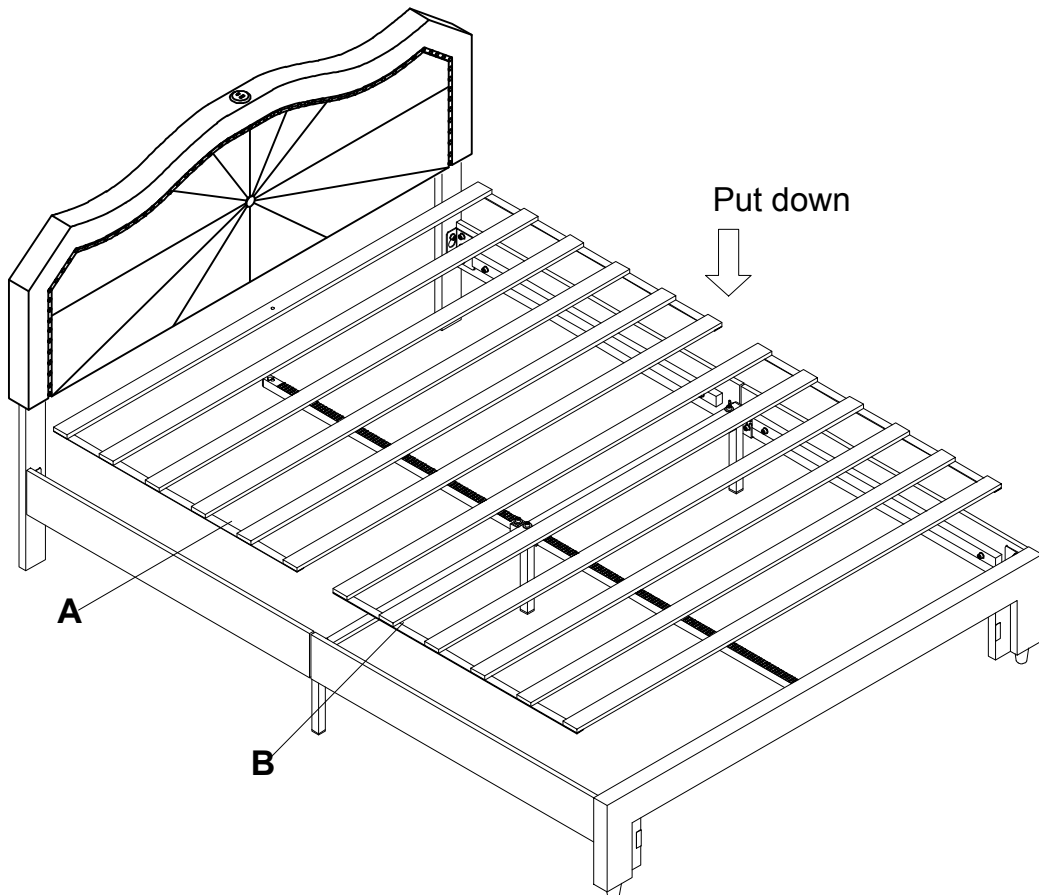
P x 1PC

STEP 9 / ÉTAPE 9

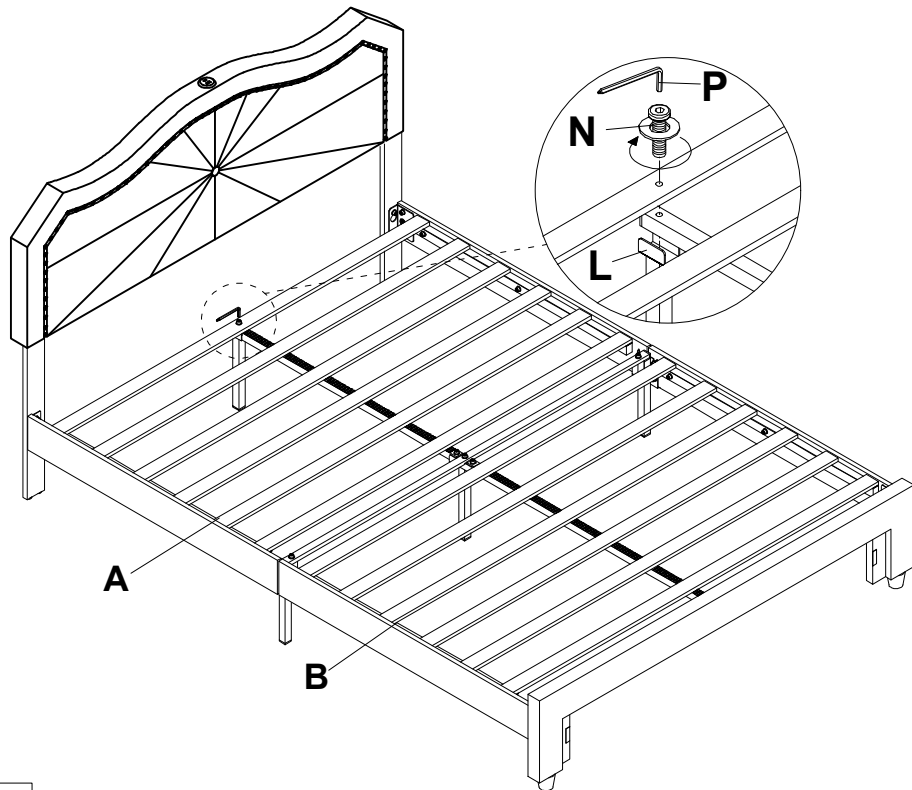




	Y x 12PCS
	P x 1PC

STEP 10 / ÉTAPE 10

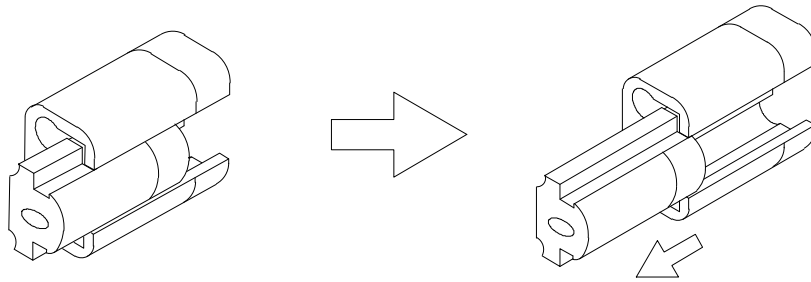


STEP 11 / ÉTAPE 11

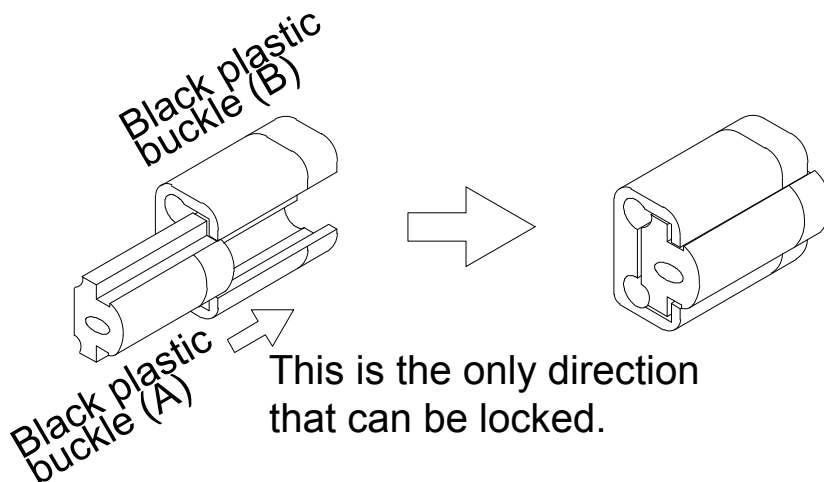


	N x 1PC
	P x 1PC

STEP 12 / ÉTAPE 12

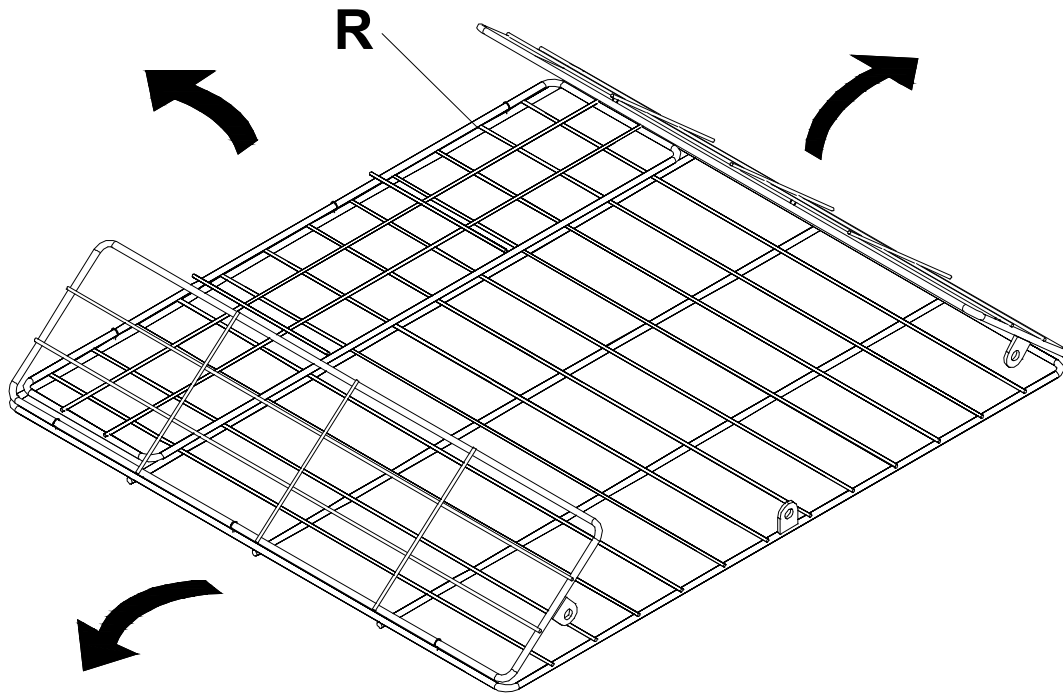


You can pull the buckle out by following the direction indicated by the arrow



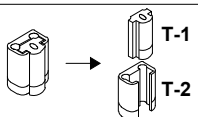
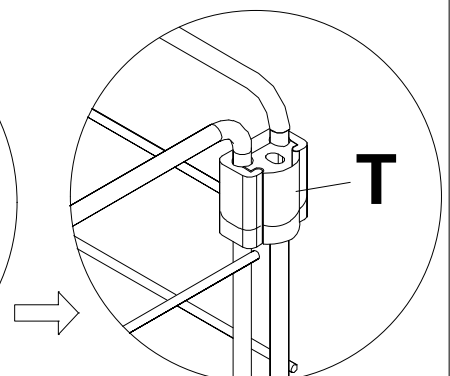
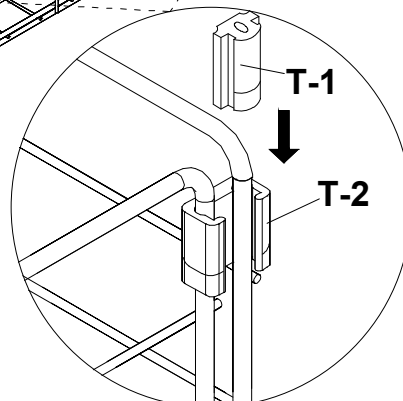
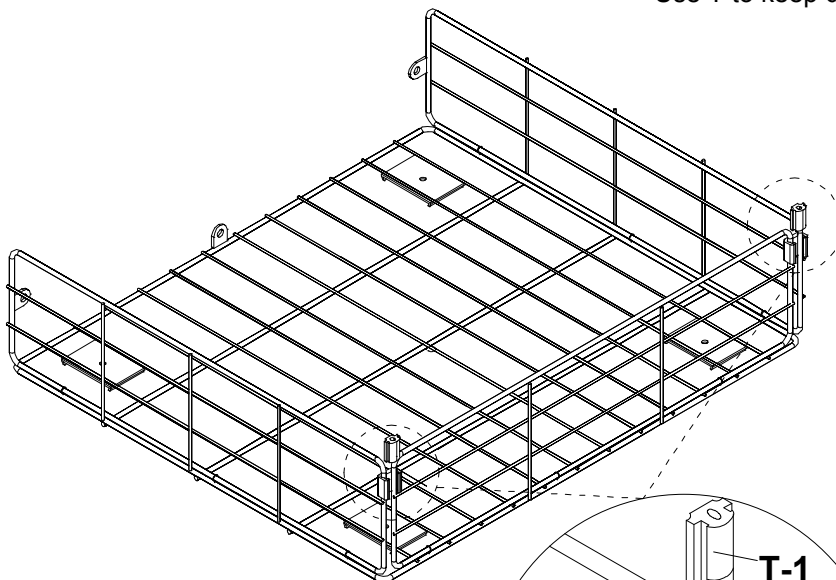
STEP 13 / ÉTAPE 13

Unfold the drawer sides



STEP 14 / ÉTAPE 14

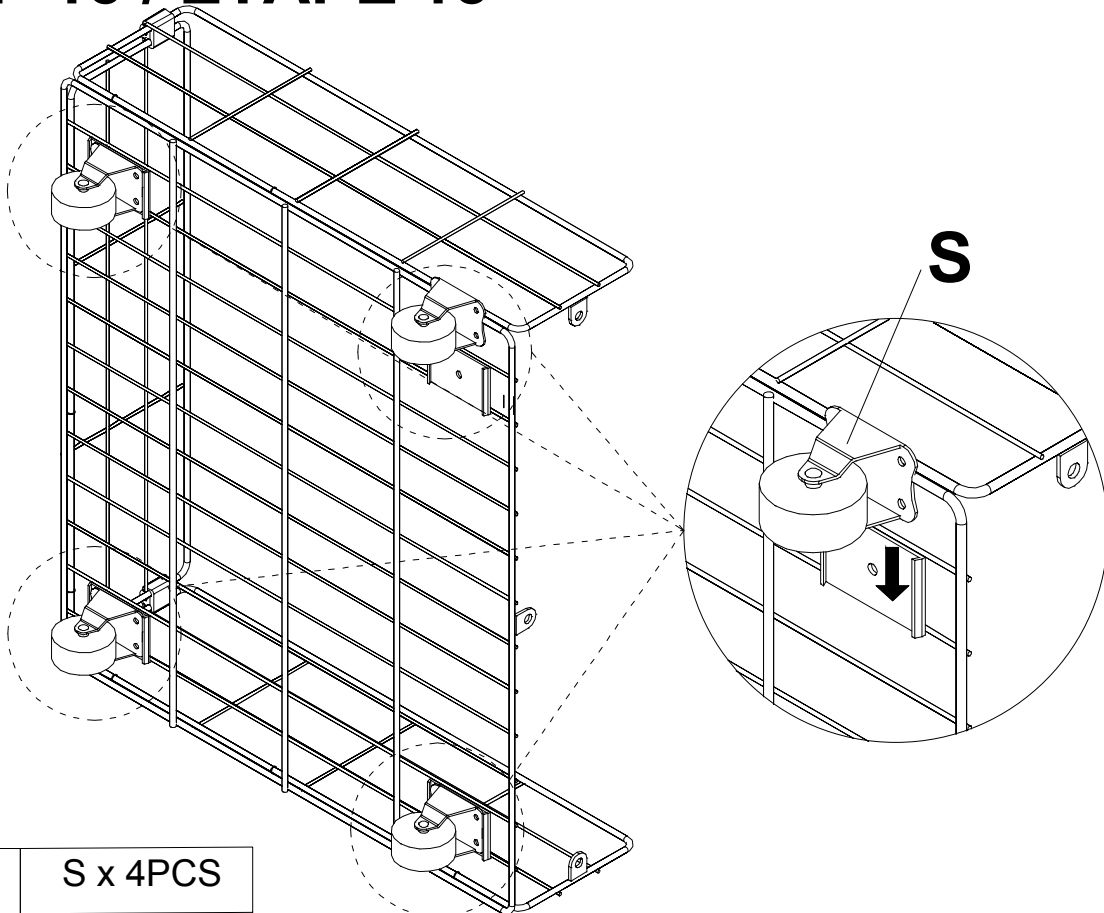
Use T to keep drawer sides in place



T x 2PCS

STEP 15 / ÉTAPE 15

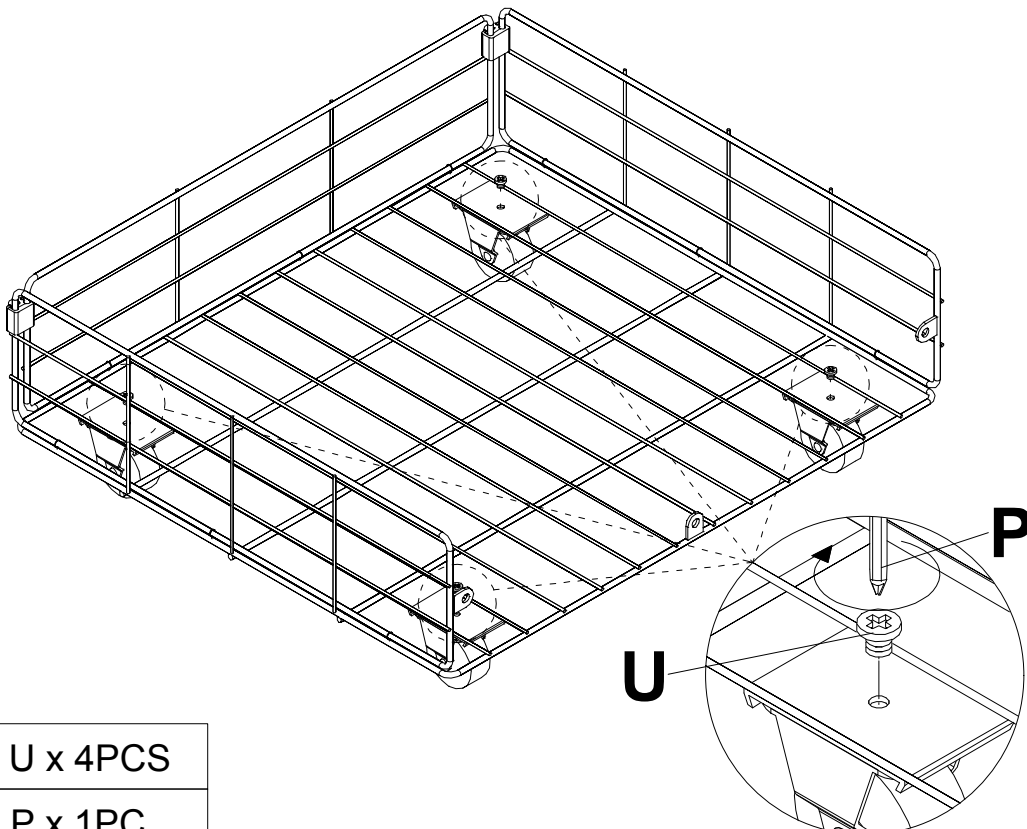
Insert wheels into slot from side



S x 4PCS

STEP 16 / ÉTAPE 16

Secure the wheels with screws U

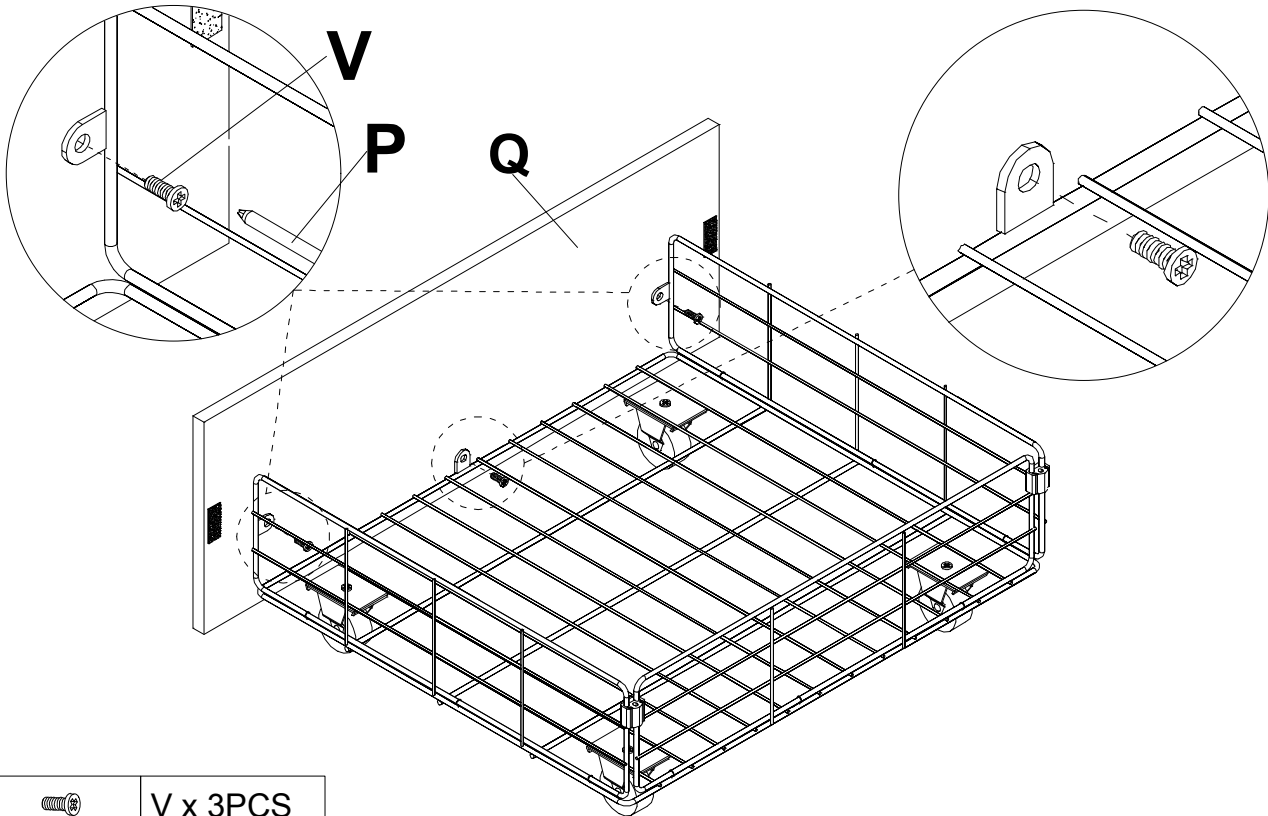




U x 4PCS



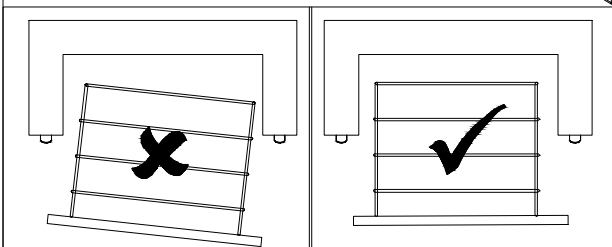
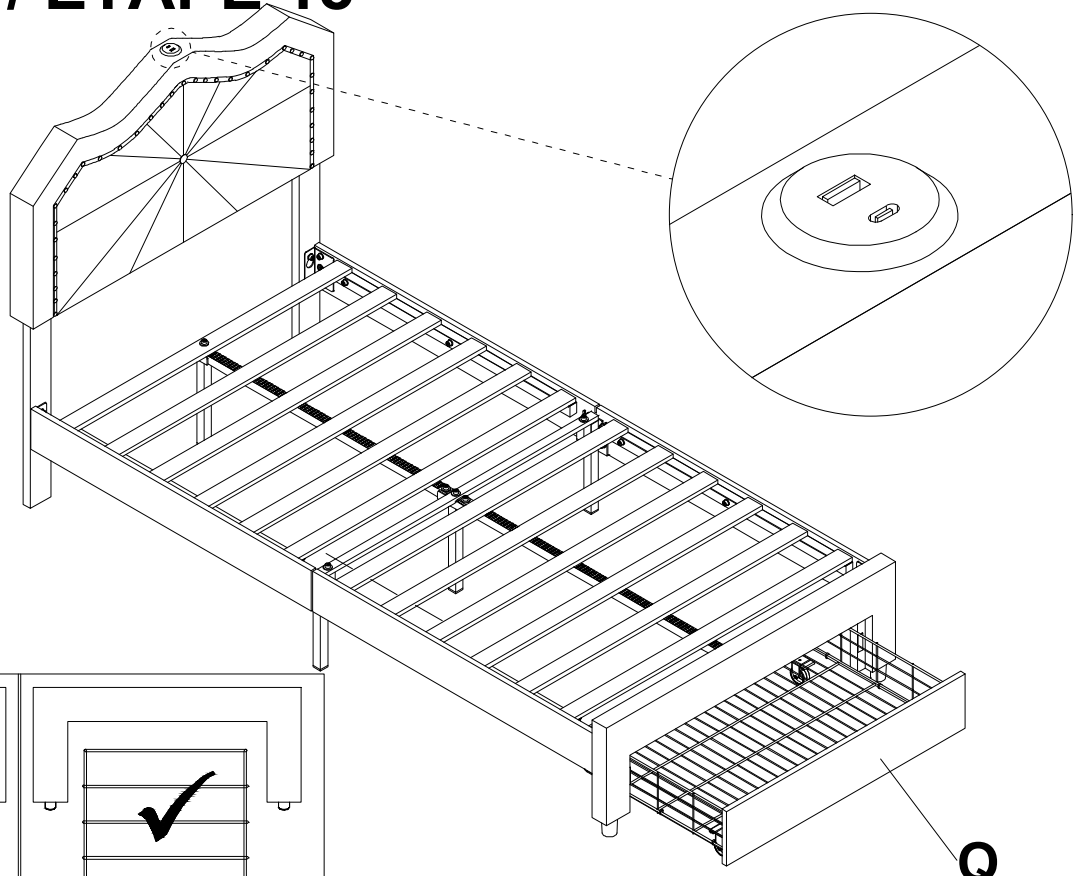
P x 1PC

STEP 17 / ÉTAPE 17



	V x 3PCS
	P x 1PC

STEP 18 / ÉTAPE 18



22182 TWIN PLATFORM BED / LIT PLATEFORME JUMELÉ

