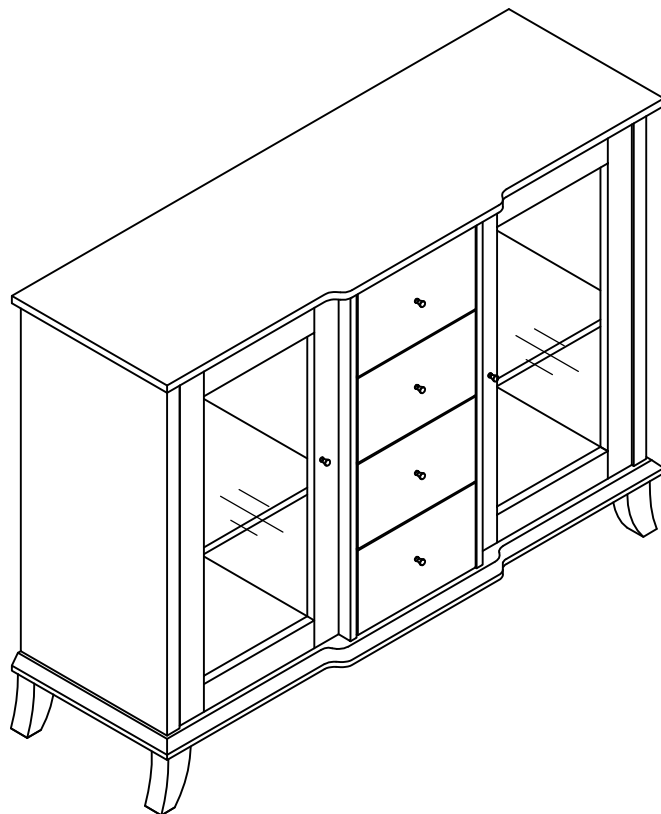


ASSEMBLY INSTRUCTIONS /  
INSTRUCTIONS D'ASSEMBLAGE

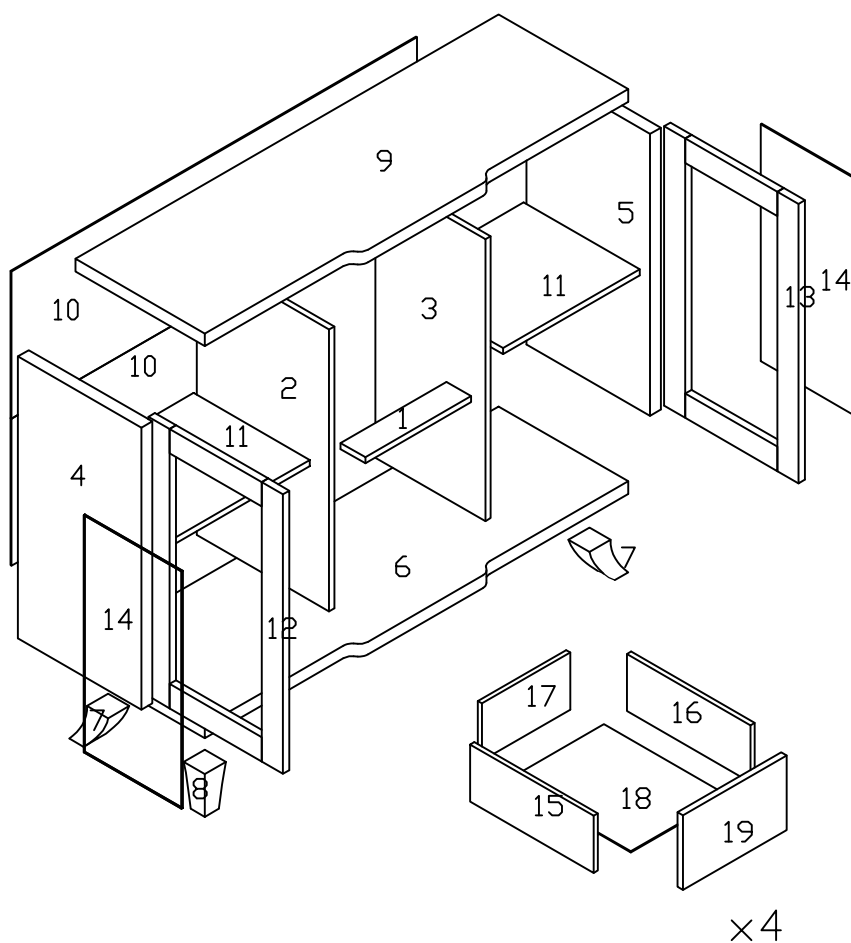
---

ITEM NO/NO ARTICLE: Buffet/desserte  
13808 172257



# PARTS IDENTIFICATIONS / IDENTIFICATION DES PIÈCES

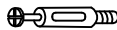










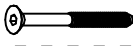



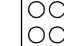


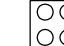
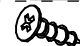




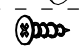
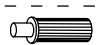
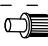


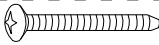
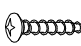
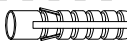


ITEM NO/NO ARTICLE: Buffet/desserte  
13808 172257



×4

|     |     |      |      |      |      |
|-----|-----|------|------|------|------|
| (1) | 1pc | (7)  | 2pcs | (13) | 1pc  |
| (2) | 1pc | (8)  | 2pcs | (14) | 2pcs |
| (3) | 1pc | (9)  | 1pc  | (15) | 4pcs |
| (4) | 1pc | (10) | 2pc  | (16) | 4pcs |
| (5) | 1pc | (11) | 2pcs | (17) | 4pcs |
| (6) | 1pc | (12) | 1pc  | (18) | 4pcs |
|     |     |      |      | (19) | 4pcs |

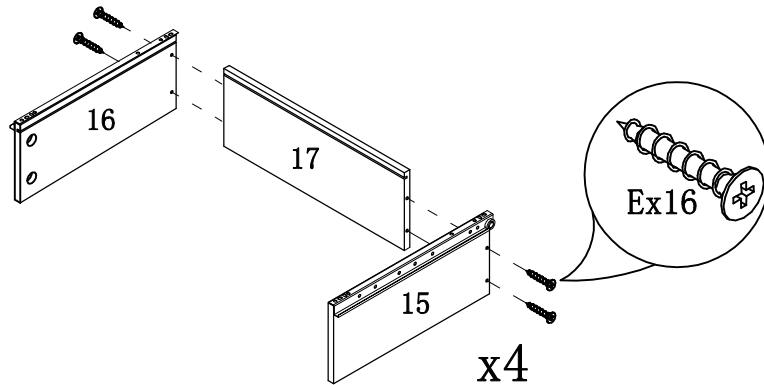
HARDWARE IDENTIFICATIONS/  
IDENTIFICATION DU KIT D'ASSEMBLAGE  
ITEM NO/NO ARTICLE: Buffet/desserte  
13808 172257

|    |   |               |       |
|----|---|---------------|-------|
| A  |    | L29           | 10pcs |
| B  |    | ø15           | 10pcs |
| C  |    | ø8 x 25       | 14pcs |
| D  |    | Z1016         | 40pcs |
| E  |    | ø4 x 30       | 16pcs |
| F  |    |               | 6pcs  |
| G  |    | ø4 x 25       | 6pcs  |
| H  |    | L20           | 16pcs |
| I  |    | ø12           | 16pcs |
| J  |    |               | 12pcs |
| K  |    | M6x12         | 2pcs  |
| L  |    | ø6x55         | 4pcs  |
| M  |    | ø10 x 15      | 4pcs  |
| N  |   | M4            | 1pc   |
| O  |  | 80 x 25 x 78H | 1pc   |
| P  |  | ø15           | 4pcs  |
| Q  |  | ø7 x 48       | 4pcs  |
| R  |  | ø4 x 40       | 4pcs  |
| S  |  | ø20           | 4pcs  |
| T  |  | ø3.5x12       | 12pcs |
| U  |  | ø5            | 8pcs  |
| V  |  |               | 2pcs  |
| W  |  |               | 2pcs  |
| X  |  | ø3x16         | 4pcs  |
| Y  |  | ø3x14         | 4pcs  |
| Z  |  | ø5            | 2pcs  |
| Aa |  | ø5            | 2pcs  |
| Ab |  | ø16           | 5pcs  |
| Ac |  | 197×5×1       | 1pc   |
| Ad |  | ø5 x 40       | 1pc   |
| Ae |  | ø4 x 25       | 1pc   |
| Af |  | ø8 x 40       | 1pc   |
| Ah |  | 12×12×1       | 2pcs  |
| Ag |  |               | 1pc   |

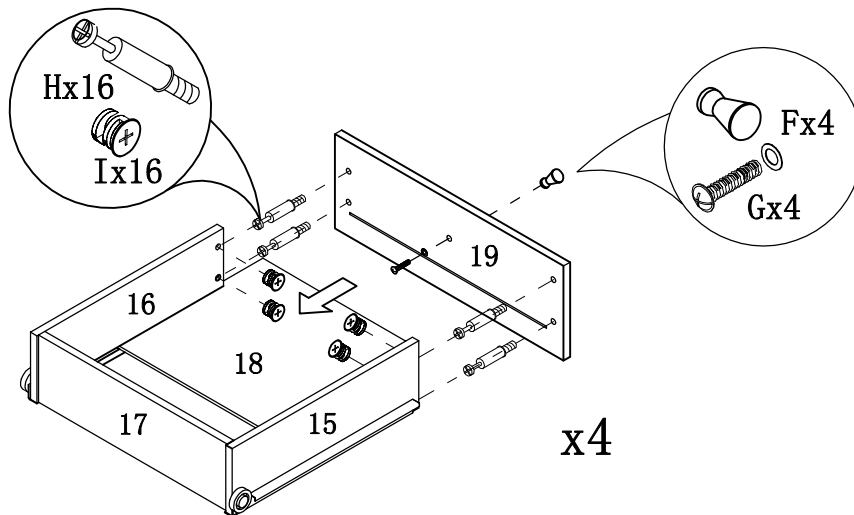
Glue: For securing please apply to wood  
dowel first before inserting into panel

ITEM NO/NO ARTICLE: Buffet/desserte  
13808 172257

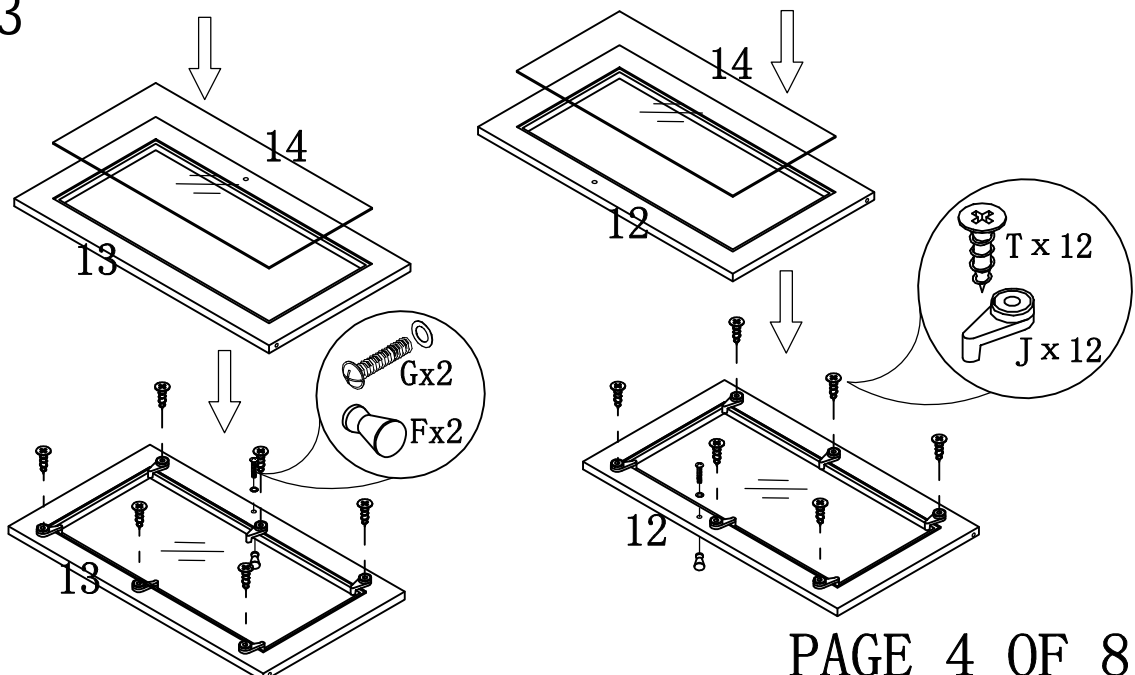
STETP 1



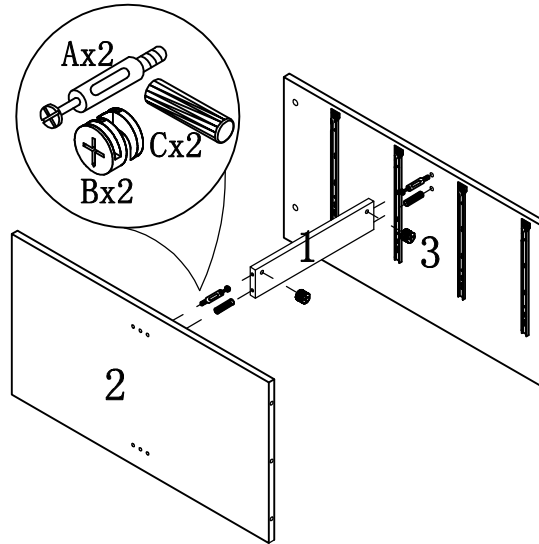
STETP 2



STETP 3

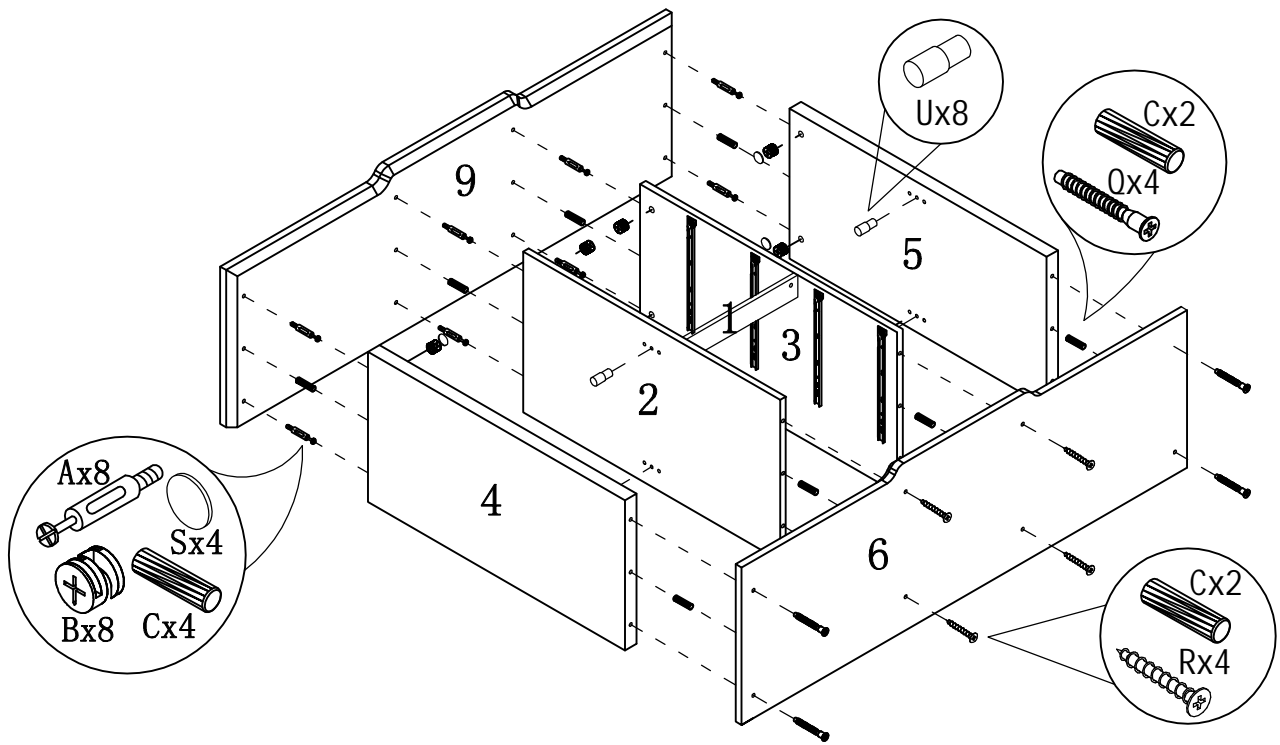


ITEM NO/NO ARTICLE: Buffet/desserte  
13808 172257

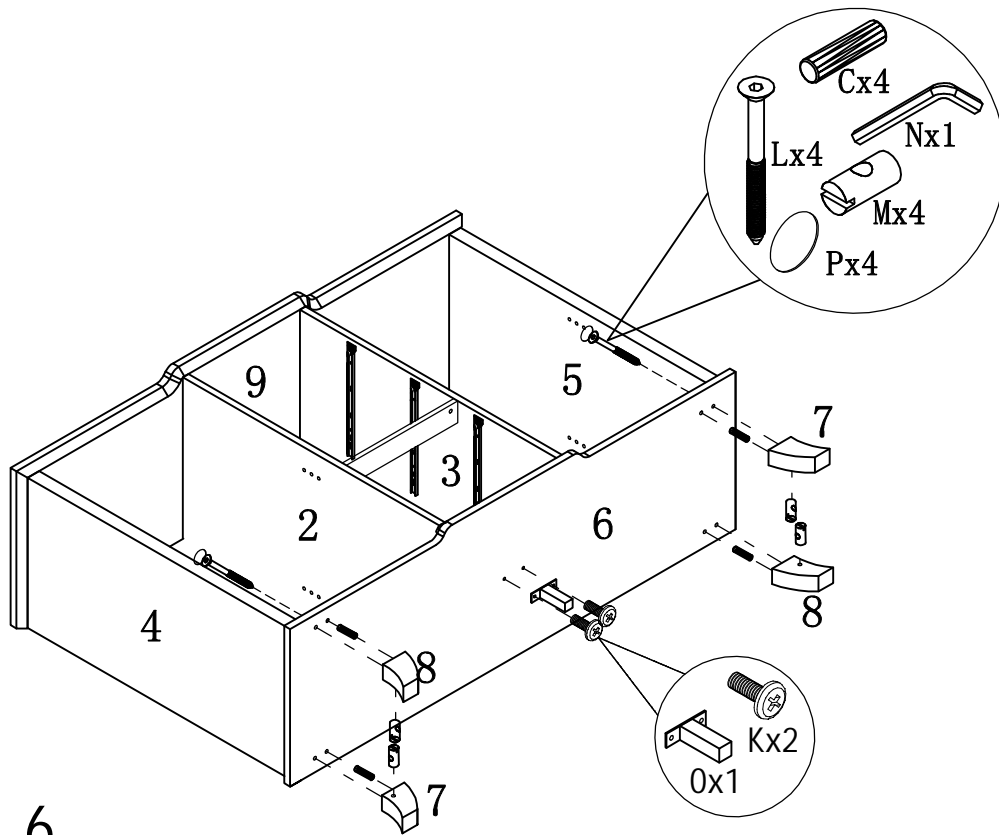


STETP 4

STETP 5

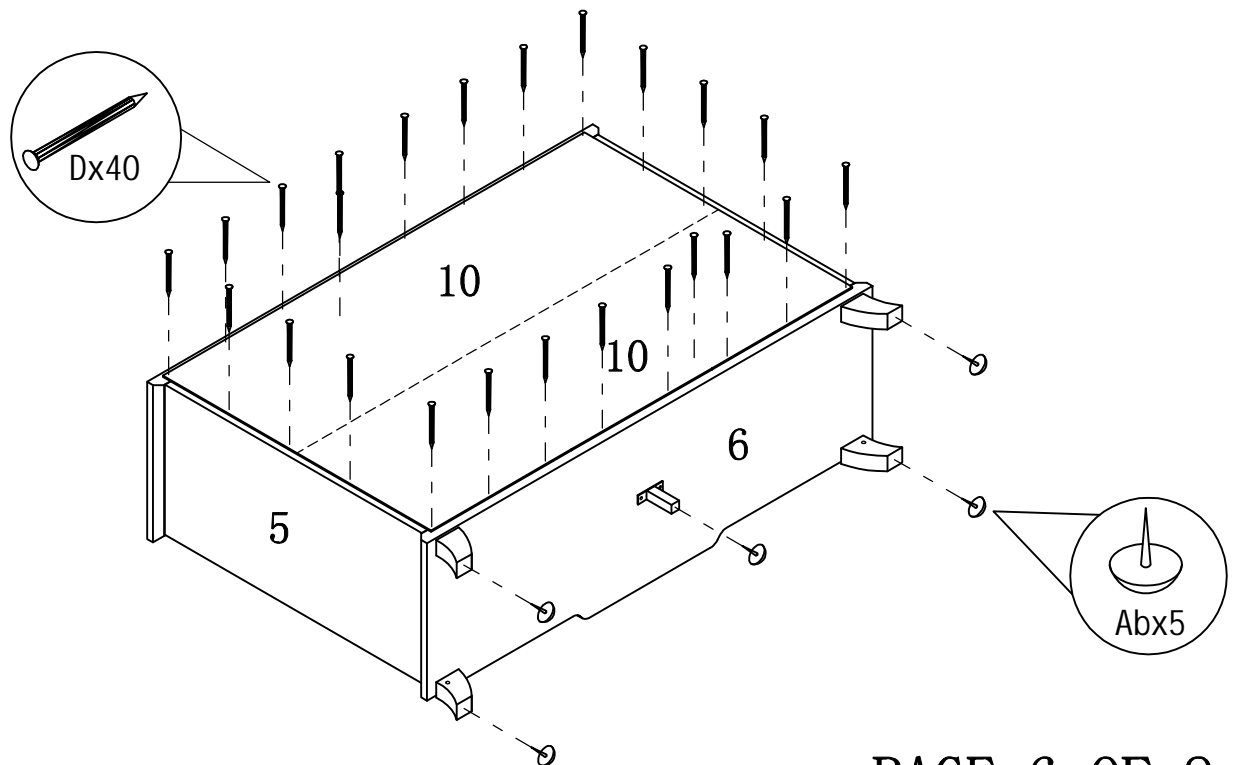


ITEM NO/NO ARTICLE: Buffet/desserte  
13808 172257

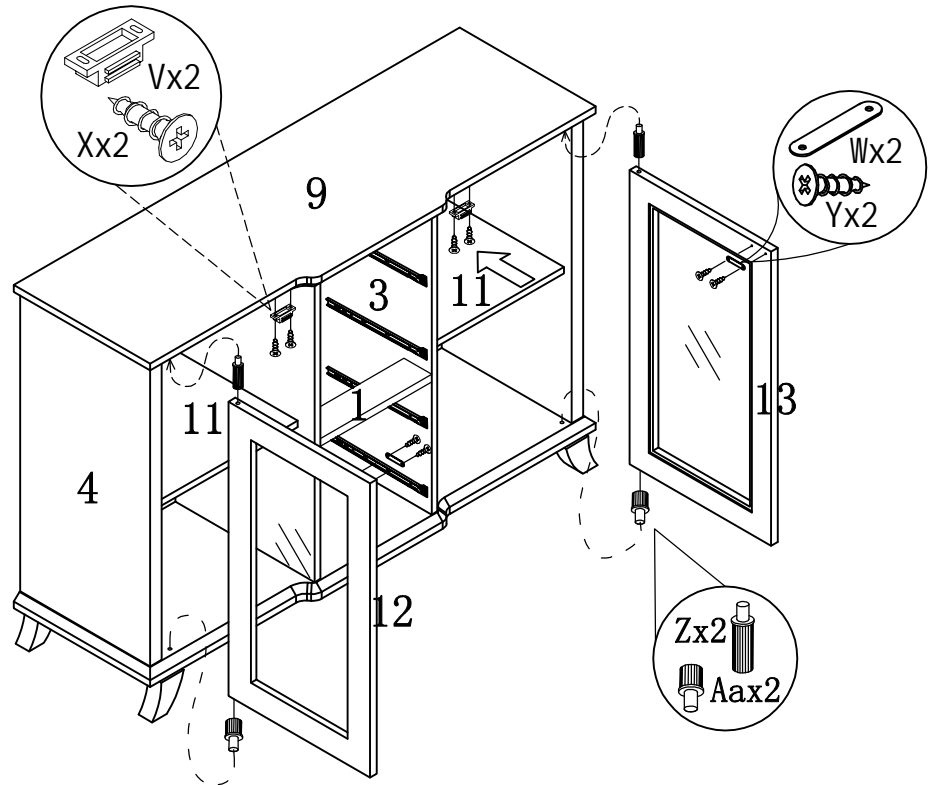


STETP 6

STETP 7

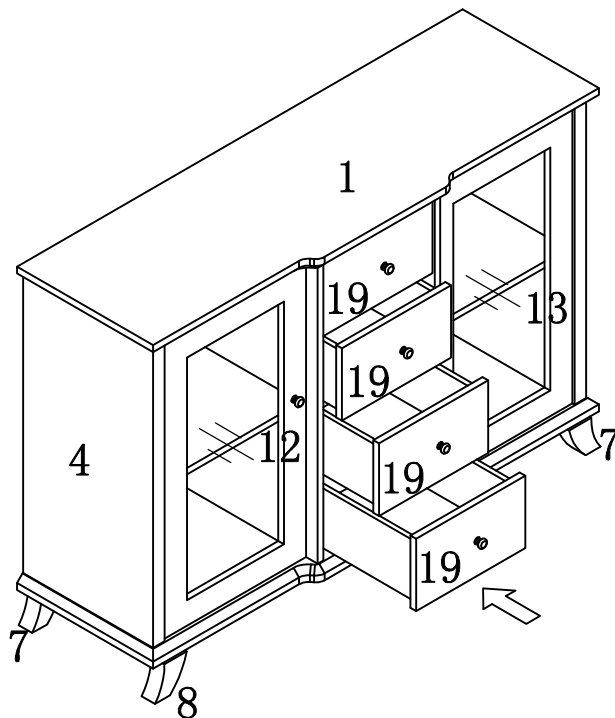


ITEM NO/NO ARTICLE: Buffet/desserte  
13808 172257



STETP 8

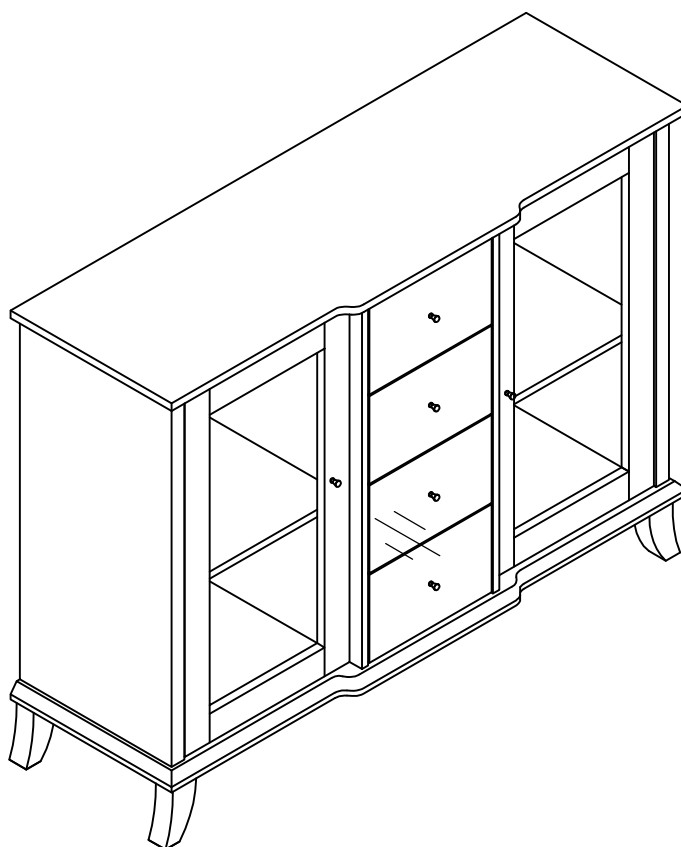
STETP 9



ITEM NO/NO ARTICLE: Buffet/desserte  
13808 17257

---

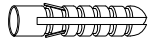
STETP 10



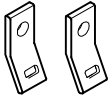


# ANTI-TIPPING STRAP INSTRUCTION

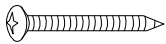
## HARDWARE (INCLUDED) :



DRYWALL ANCHOR  $\phi 8 \times 40$  X 1PC



METAL BRACKETS  $12 \times 12 \times 1$  X 2PCS



DRYWALL SCREW  $\phi 5 \times 40$  X 1PC

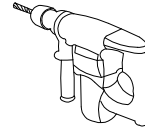


STRAP  $197 \times 5 \times 1$  X 1PC



FLATHEAD SCREW  $\phi 4 \times 25$  X 1PC

## TOOLS NEEDED ( NOT INCLUDED) :



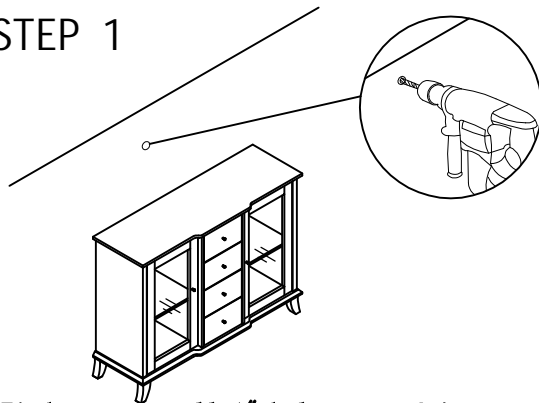
DRILL & DRILL BIT



LIGHT HAMMER

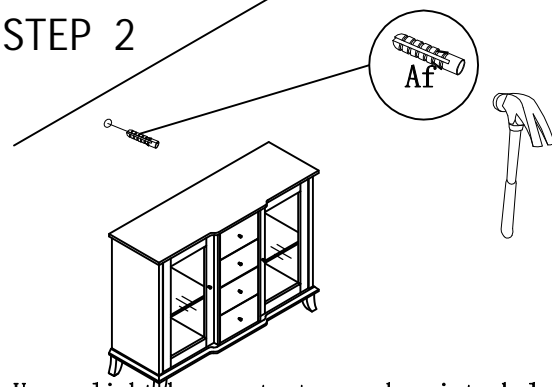
Note: Hardware included only compatible with standard drywalls.

### STEP 1



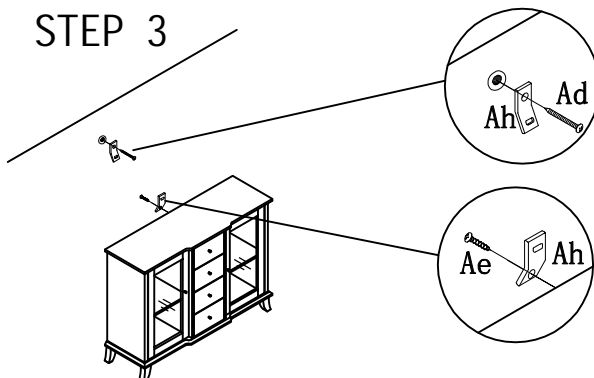
1. Find spot on wall 1" below top of item.
2. Using a drill bit slightly thinner than anchor, drill hole into drywall.

### STEP 2



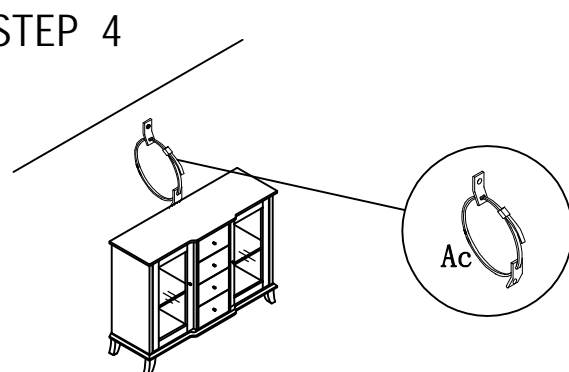
1. Use a light hammer to tap anchor into hole.
2. Anchor should fit snugly. If hole is too small, drill again to increase hole size. Do not force anchor into wall.

### STEP 3



1. Insert drywall screw into metal bracket and into drywall anchor.
2. Insert flathead screw into second metal bracket and into back of item along top edge.

### STEP 4



1. Insert strap thru bracket attached to wall, then thru bracket on item, and into head of strap.
  2. pull lightly til strap stops.
- Assembly is complete.