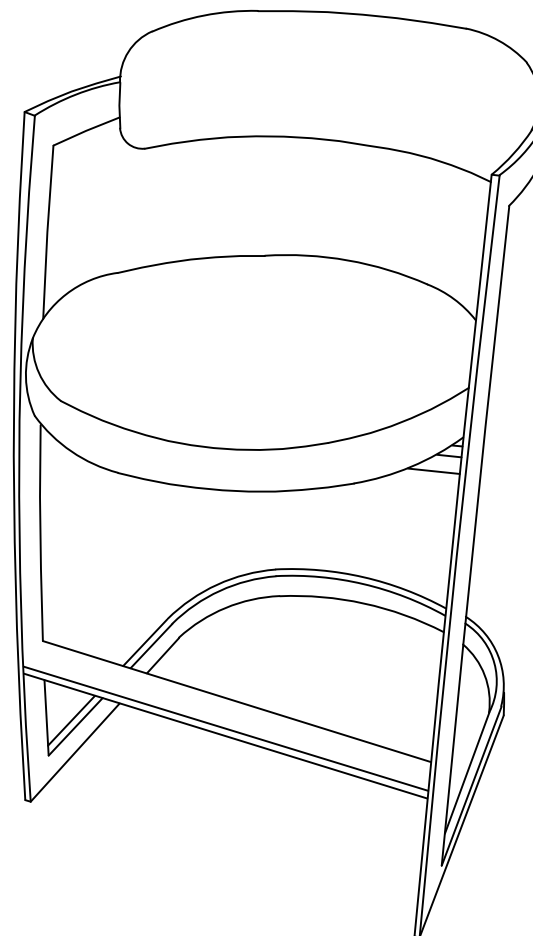
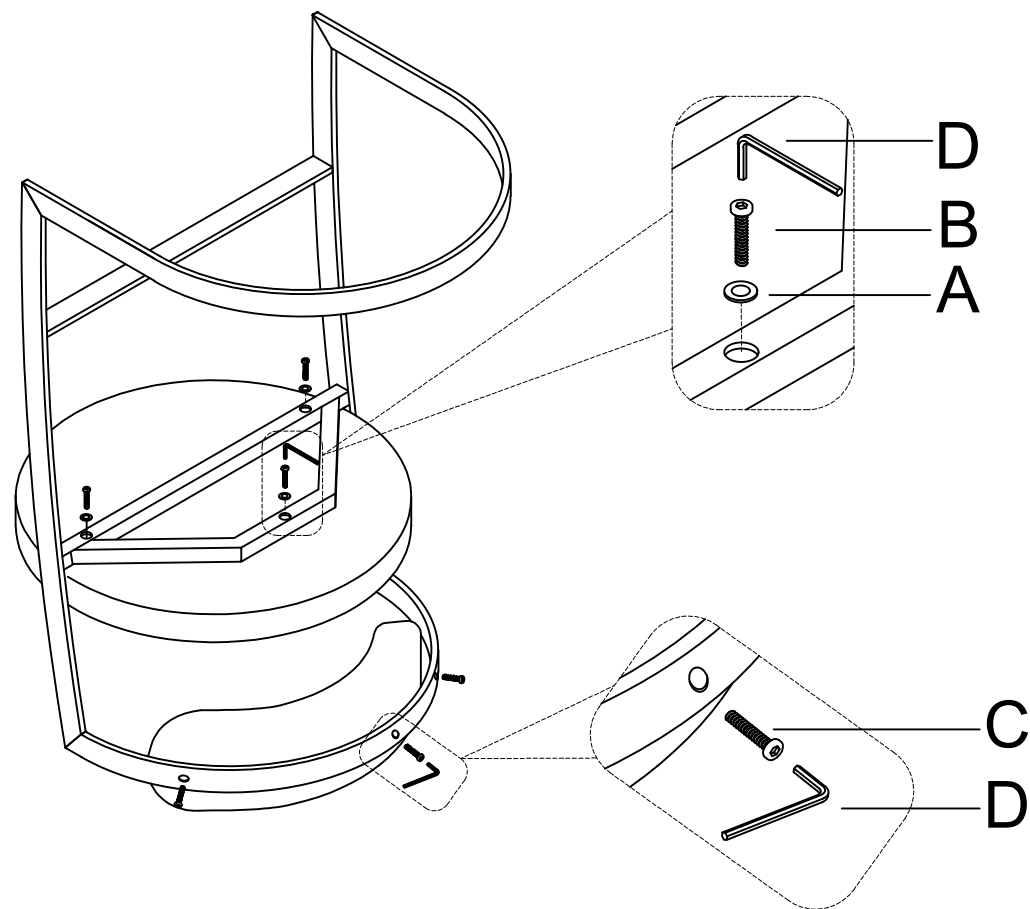


# ASSEMBLY INSTRUCTION

## STEP 1



DX-2450

A



3pcs

B



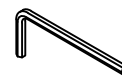
3pcs

C



3pcs

D



1pc