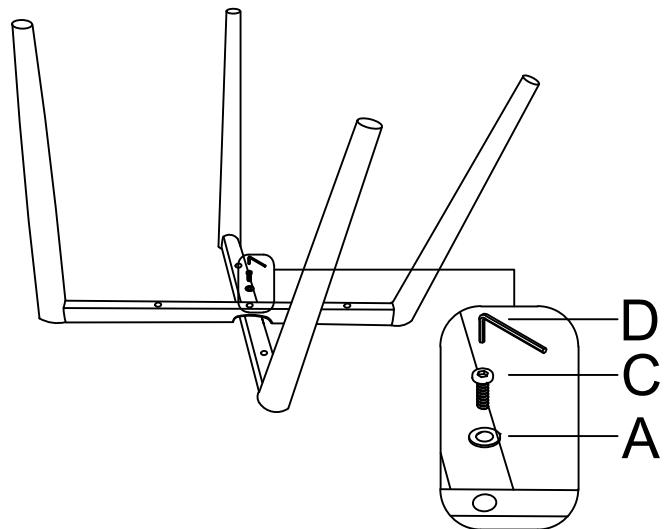
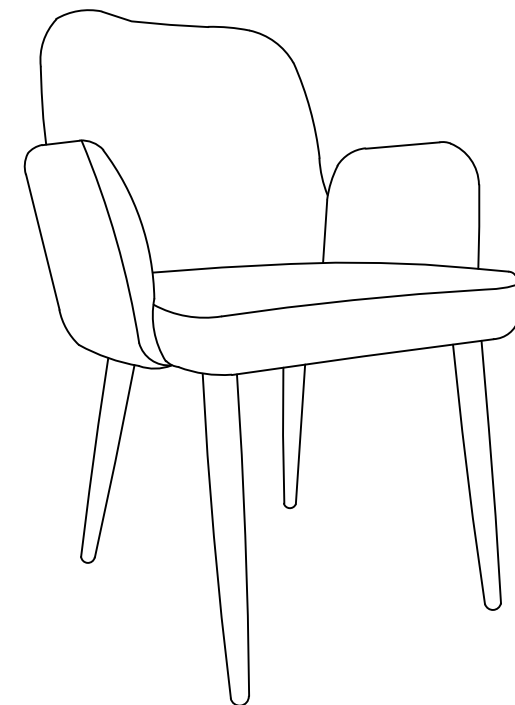
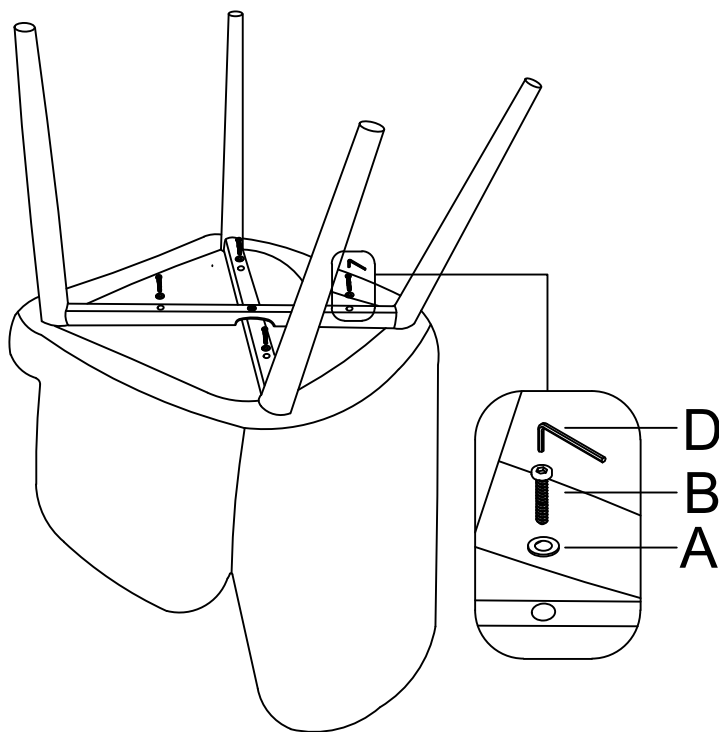


# ASSEMBLY INSTRUCTION

STEP 1



STEP 2



DX-2295

A



5pcs

B



4pcs

C



1pc

D



1pc