



BRASSEX INC.
THE FURNITURE PEOPLE
SINCE 1985

ASSEMBLY INSTRUCTIONS INSTRUCTIONS D'ASSEMBLAGE

11622/11623

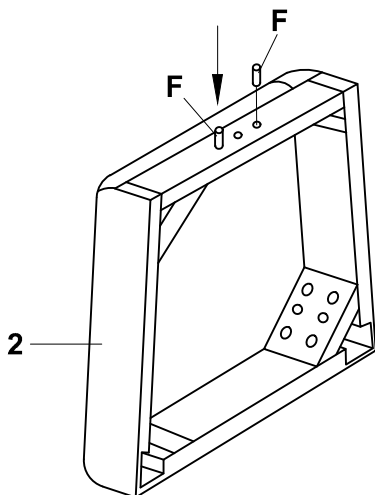
HARDWARE LIST IDENTIFICATION DU LIT

NO.	SKETCH	DESCRIPTION	QTY
A		Bolt(5/16 "x3-1/2") Boulon	4 PCS 4 PCES
B		Bolt(5/16 "x2-1/4") Boulon	5 PCS 5 PCES
C		Lock washer(5/16") Rondelle plate	9 PCS 9 PCES
D		Flat washer(5/16") Rondelle plate	9 PCS 9 PCES
E		Allen wrench(4mm) Clé hexagonale	1 PCS 1 PCES
F		Wood Dowel (Ø10x30mm) Cheville de bois	6 PC 6 PCE

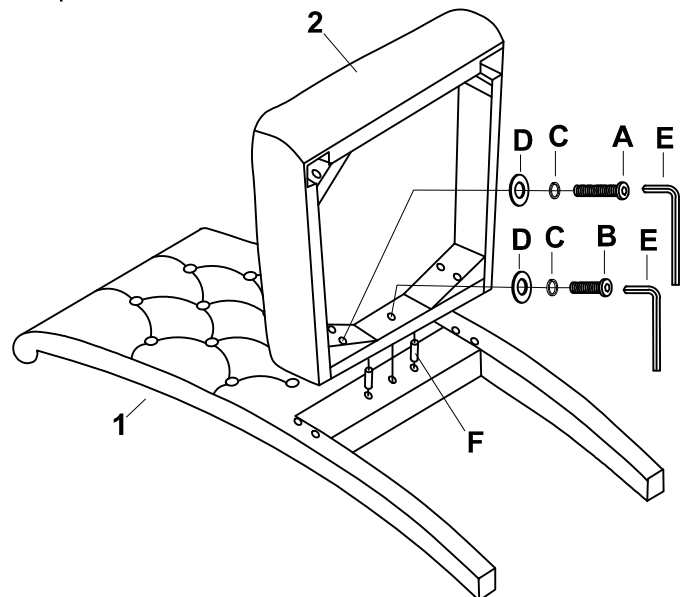
PARTS LIST

NO.	SKETCH	DESCRIPTION	QTY
1		Backrest Dossier	1 PC 1 PCE
2		Seat Siège	1 PC 1 PCE
3		Front leg Pied avant	2 PC 2 PCE

Step 1
Étape 1



Step 2
Étape 2



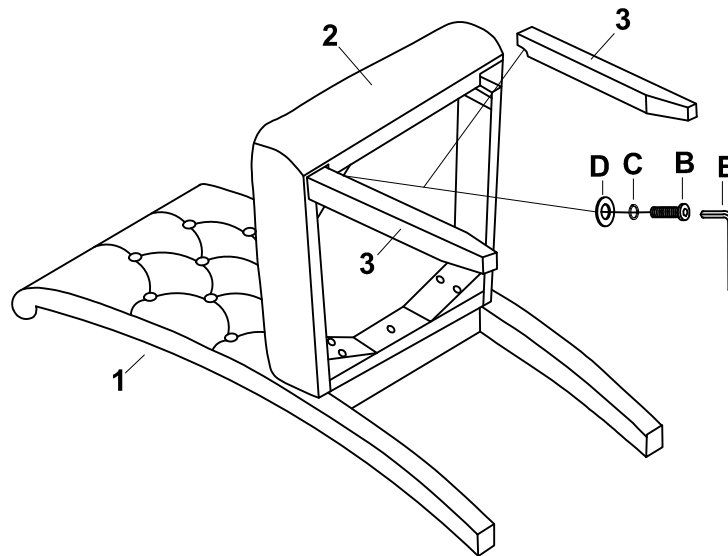


BRASSEX INC.
THE FURNITURE PEOPLE
SINCE 1985

ASSEMBLY INSTRUCTIONS INSTRUCTIONS D'ASSEMBLAGE

11622/11623

Step 3
Étape 3



Step 4
Étape 4

