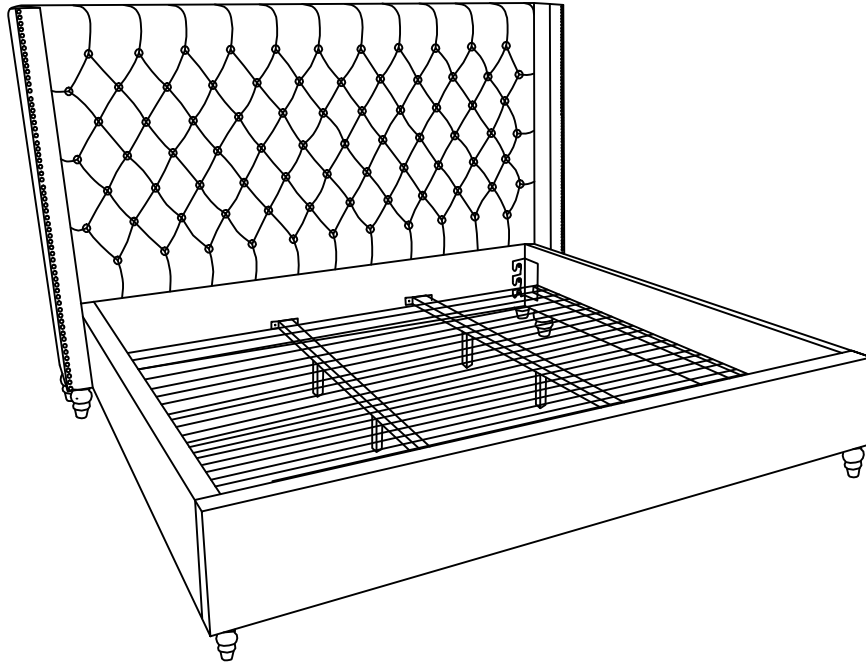
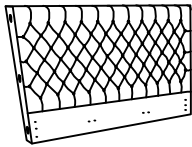
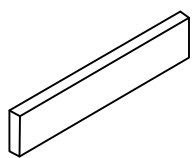
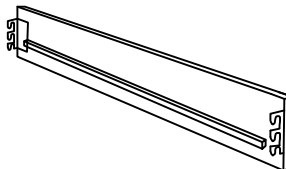
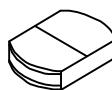
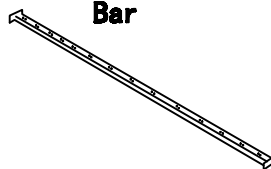
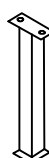
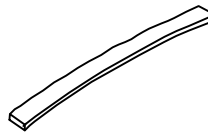


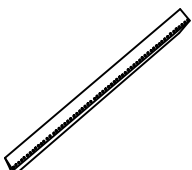











1920 EK



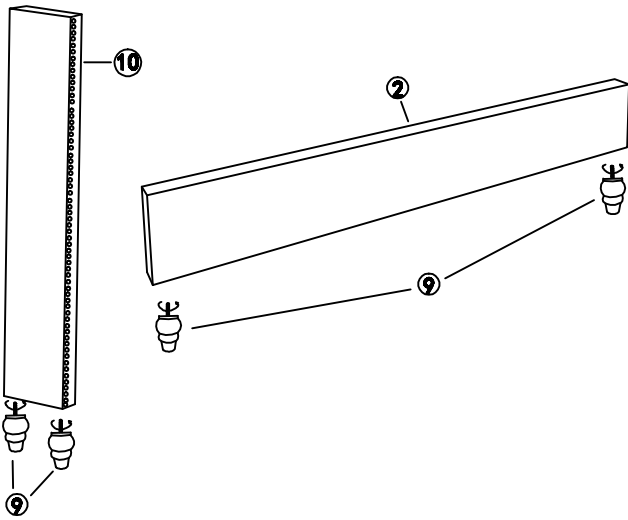
PARTS LIST

<p>1-Head Board (1pc)</p> 	<p>2-Foot Board(1pc)</p> 	<p>3-side rails(2pcs)</p> 	<p>4_Double Plastic cap (26pcs)</p> 
<p>5-center Support (2pcs) Bar</p> 	<p>6-Support Legs(4pcs)</p> 	<p>7-Slats (39pcs)</p> 	<p>8_Single Plastic cap (26pcs)</p> 
<p>9-Legs (6pcs)</p> 	<p>10_Bed the ears(2pcs)</p> 		

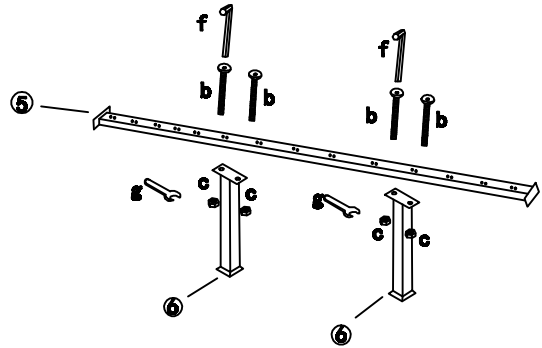
HARDWARE LIST

<p>A-Bolt M8*30mm (20pcs)</p> 	<p>B-Bolt M8*35(8pcs)</p> 	<p>C-Nut M8*13mm(8pcs)</p> 	<p>D-Spring Washer (12pcs)</p> 
<p>E-Flat WashetM8*16 (12pcs)</p> 	<p>F-Allen Key M5(1pc)</p> 	<p>G-Spanner (1pc)</p> 	<p>H-Bolt M8* 55(6pcs)</p> 
<p>I-Flat WashetM8*25 (6pcs)</p> 			

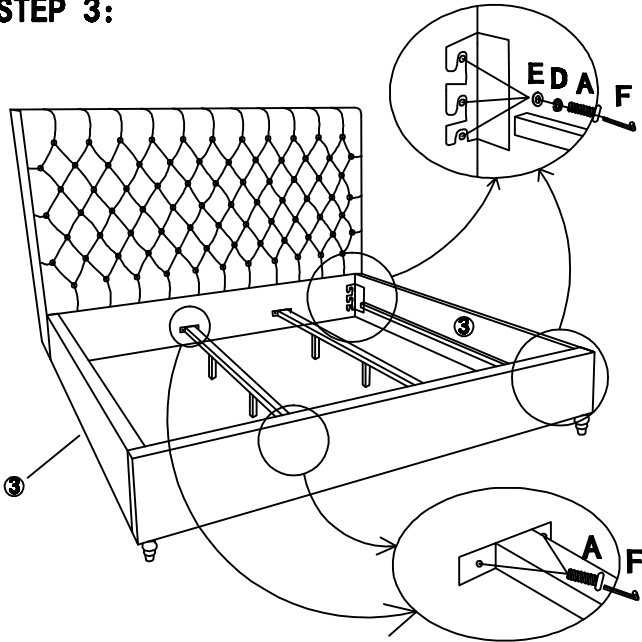
STEP 1:



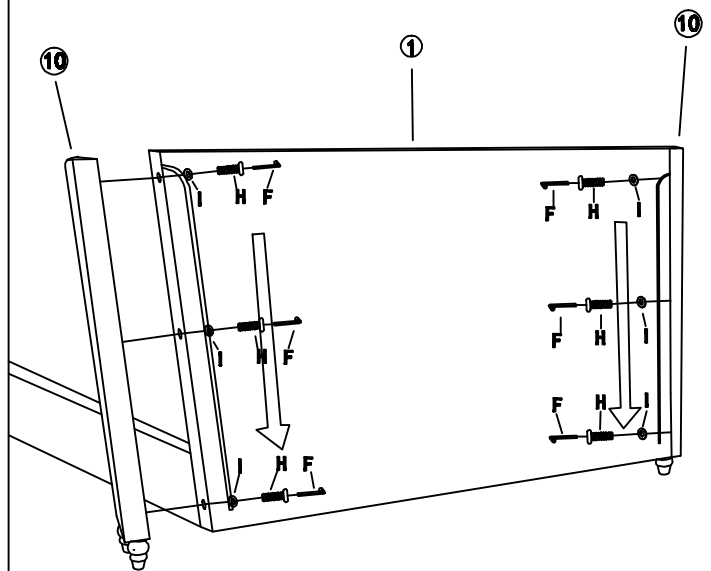
STEP 2:



STEP 3:



STEP 4:



STEP 5:

