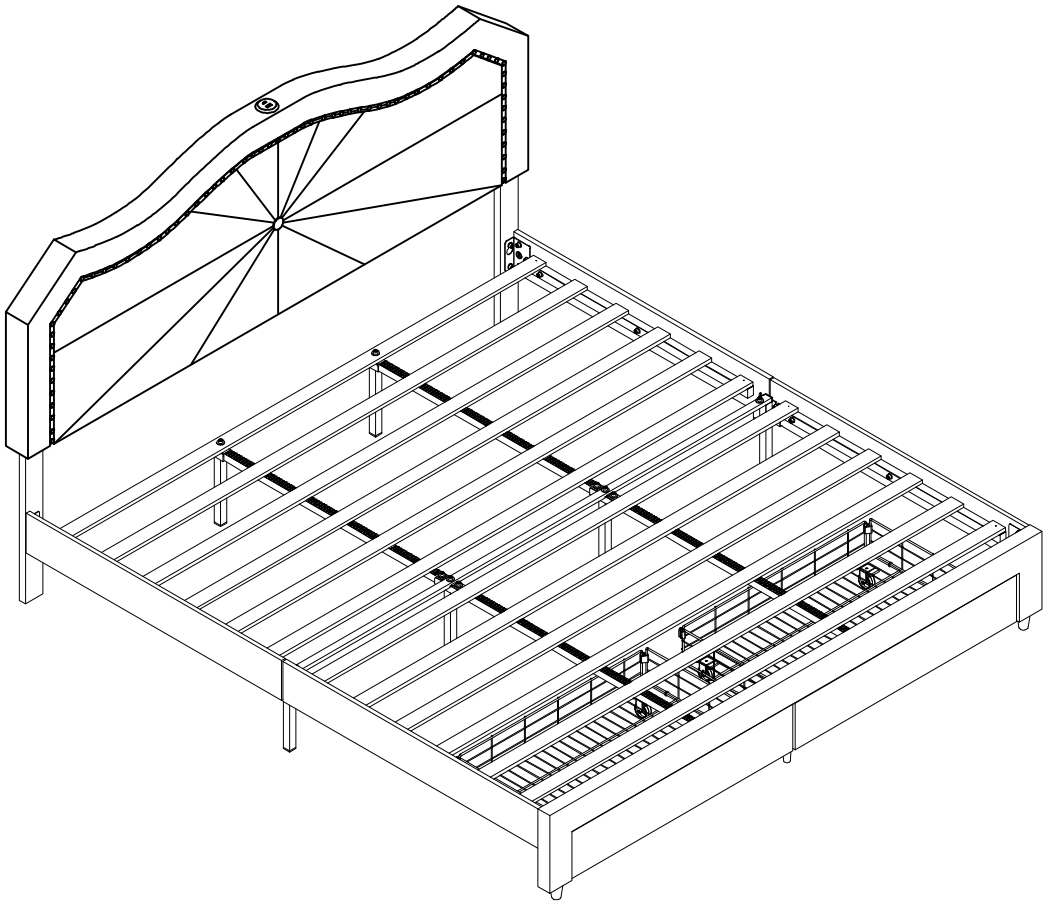
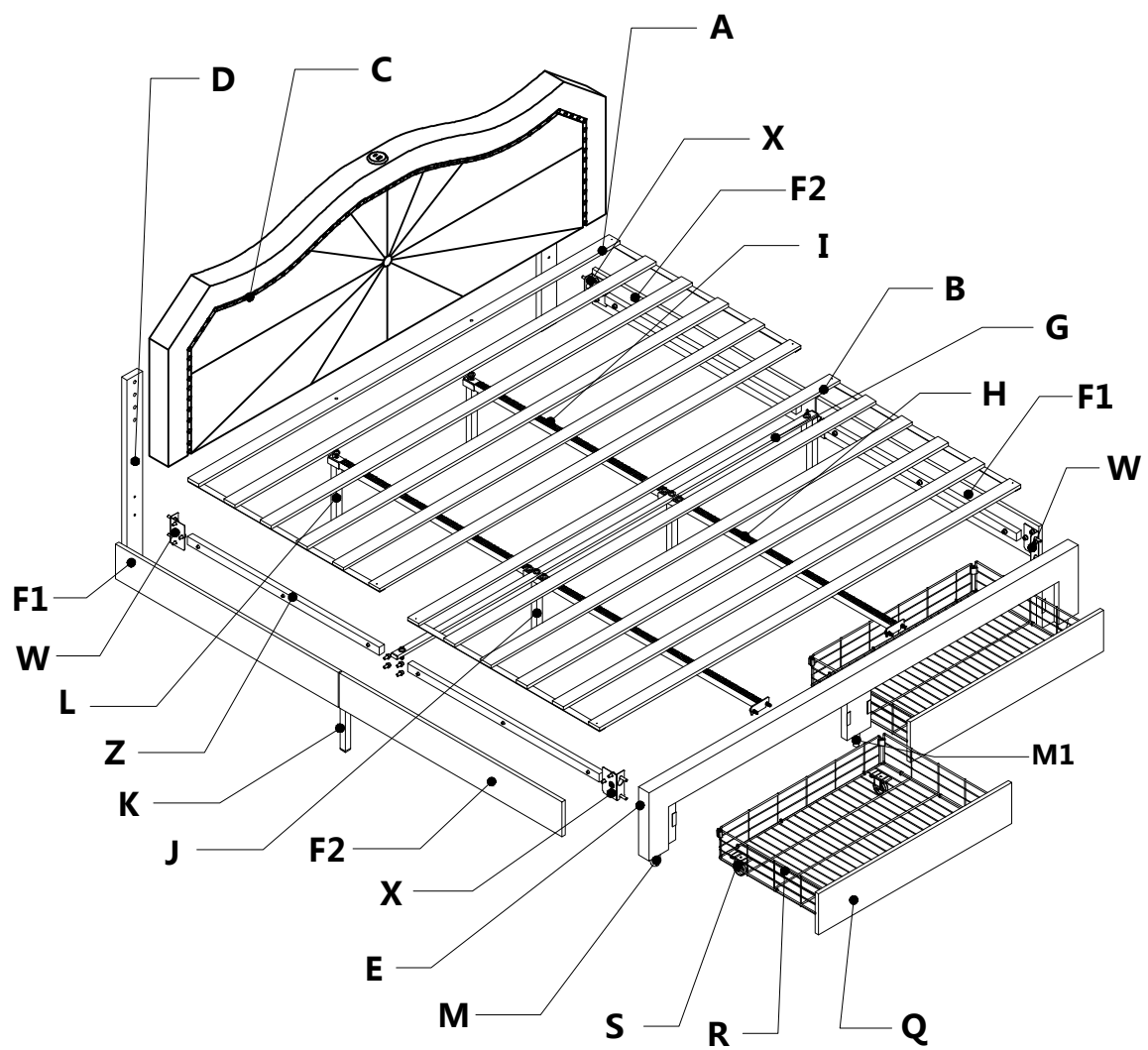


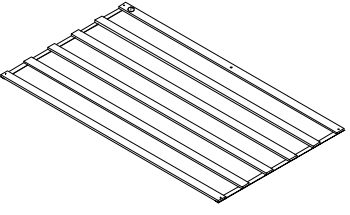
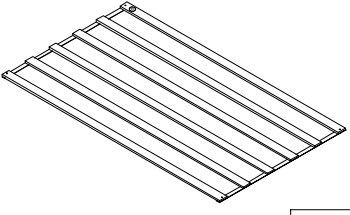
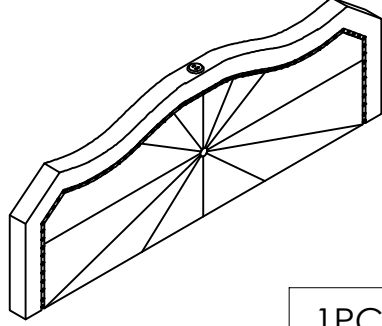
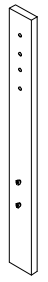
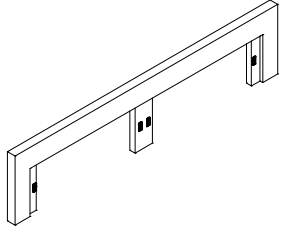
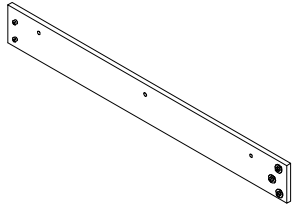
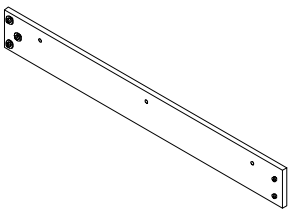
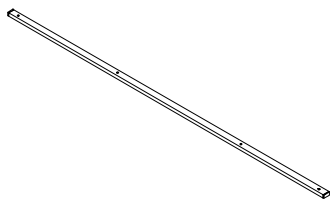
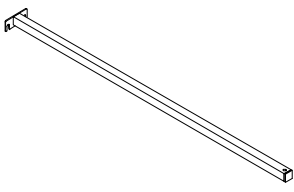
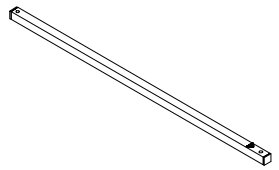
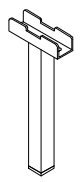
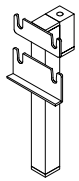
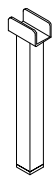

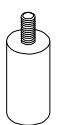
ASSEMBLY INSTRUCTIONS



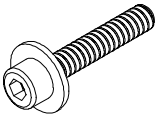
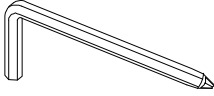
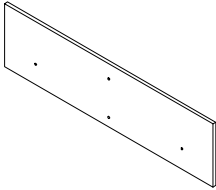


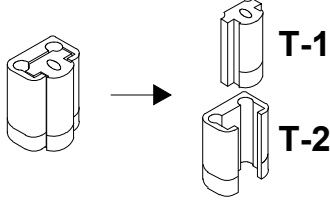

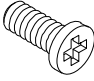
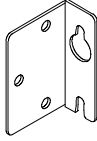
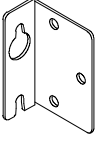
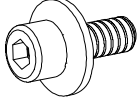
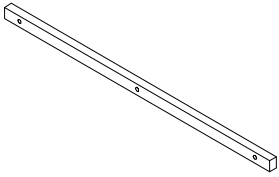
22185 KING PLATFORM BED



Parts List(EN) / Teile Liste(DE)

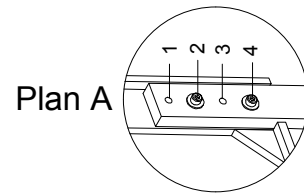
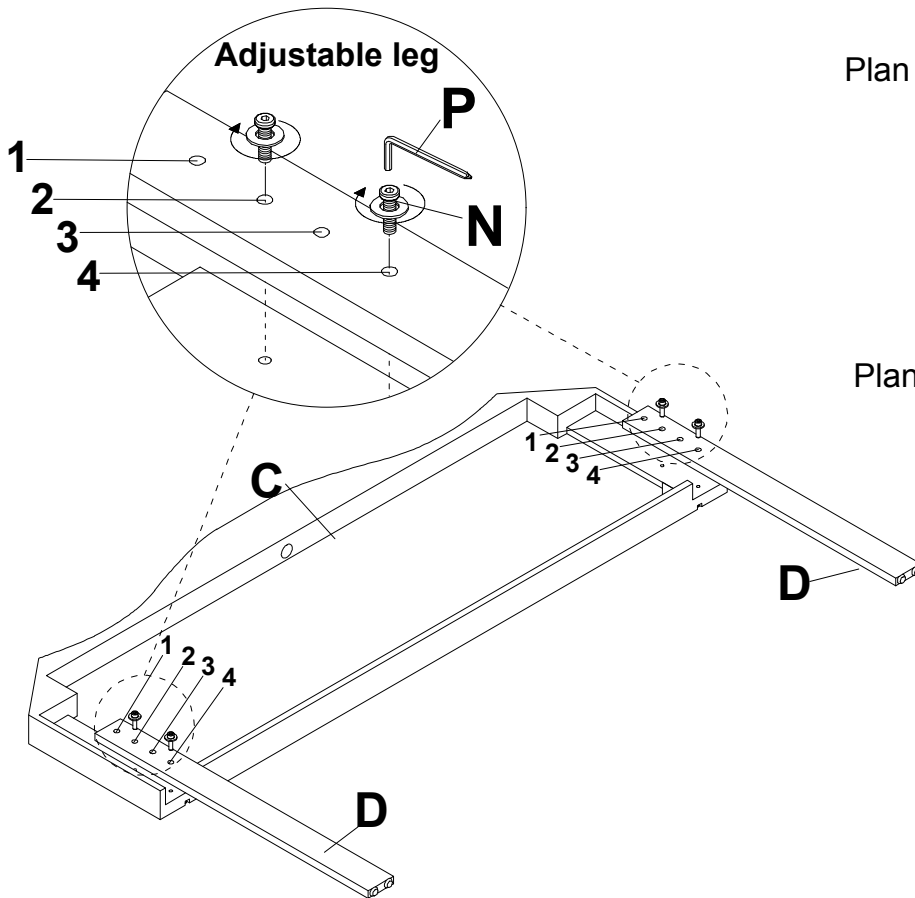
<p>A Front Slat</p>  <p>1PC</p>	<p>B Back Slat</p>  <p>1PC</p>	<p>C Headboard</p>  <p>1PC</p>
<p>D Headboard side leg</p>  <p>2PCS</p>	<p>E Footboard</p>  <p>1PC</p>	<p>F1 Left siderails</p>  <p>2PCS</p>
<p>F2 Right siderails</p>  <p>2PCS</p>	<p>G Middle cross beam</p>  <p>1PCS</p>	<p>H Back Middle cross beam</p>  <p>2PCS</p>
<p>I Front Middle cross beam</p>  <p>2PCS</p>	<p>J Middle leg</p>  <p>2PCS</p>	<p>K Edge of the foot</p>  <p>2PCS</p>
<p>L Front Leg</p>  <p>2PCS</p>	<p>M Bed leg</p>  <p>2PCS</p>	<p>M1 Bed leg</p>  <p>1PC</p>

Parts List(EN) / Teile Liste(DE)

<p>N Innerscrew</p>  <p>M8×45mm</p> <p>14+1PCS</p>	<p>P Inner allen wrench</p>  <p>1PC</p>	<p>Q Drawer panel</p>  <p>2PCS</p>
<p>R Drawer</p>  <p>2PCS</p>	<p>S Drawer wheel</p>  <p>8PCS</p>	<p>T Drawer connector</p>  <p>T-1 T-2</p> <p>4PCS</p>
<p>U Screw</p>  <p>M6×6mm</p> <p>8+1PCS</p>	<p>V Screw</p>  <p>M6×15mm</p> <p>6PCS</p>	<p>W Left Bracket</p>  <p>2PCS</p>
<p>X Right Bracket</p>  <p>2PCS</p>	<p>Y Innerscrew</p>  <p>M8×40mm</p> <p>12PCS</p>	<p>Z Support Wood</p>  <p>4PCS</p>

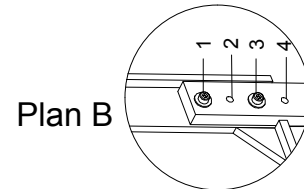
Assembly Steps(EN) / Montageschritte(DE)

STEP 1




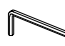
Plan A

Fits a 10 inch thick mattress when attach screws to Hole 2 & Hole 4.

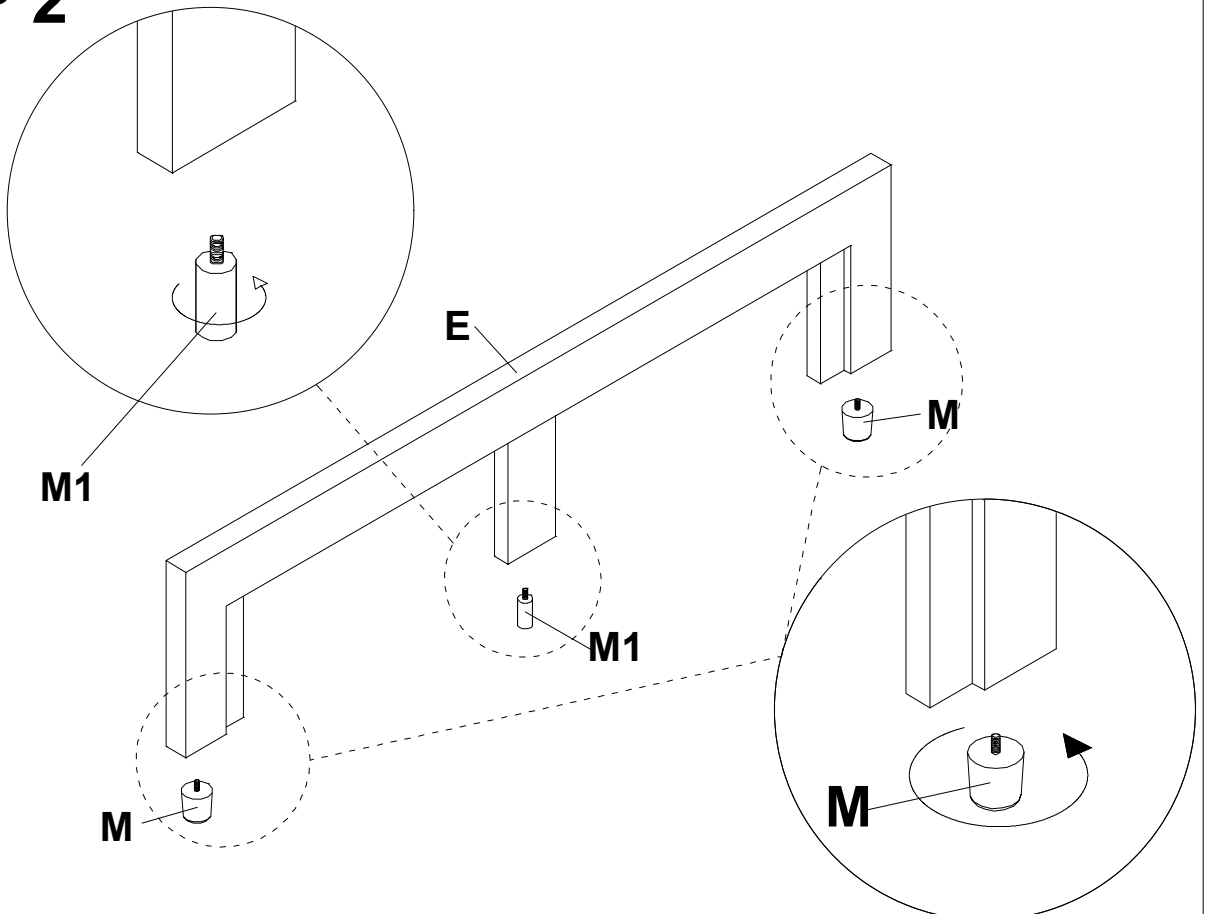


Plan B

Fits a 12 inch thick mattress when attach screws to Hole 1 & Hole 3.

	N x 4pcs
	P x 1pc

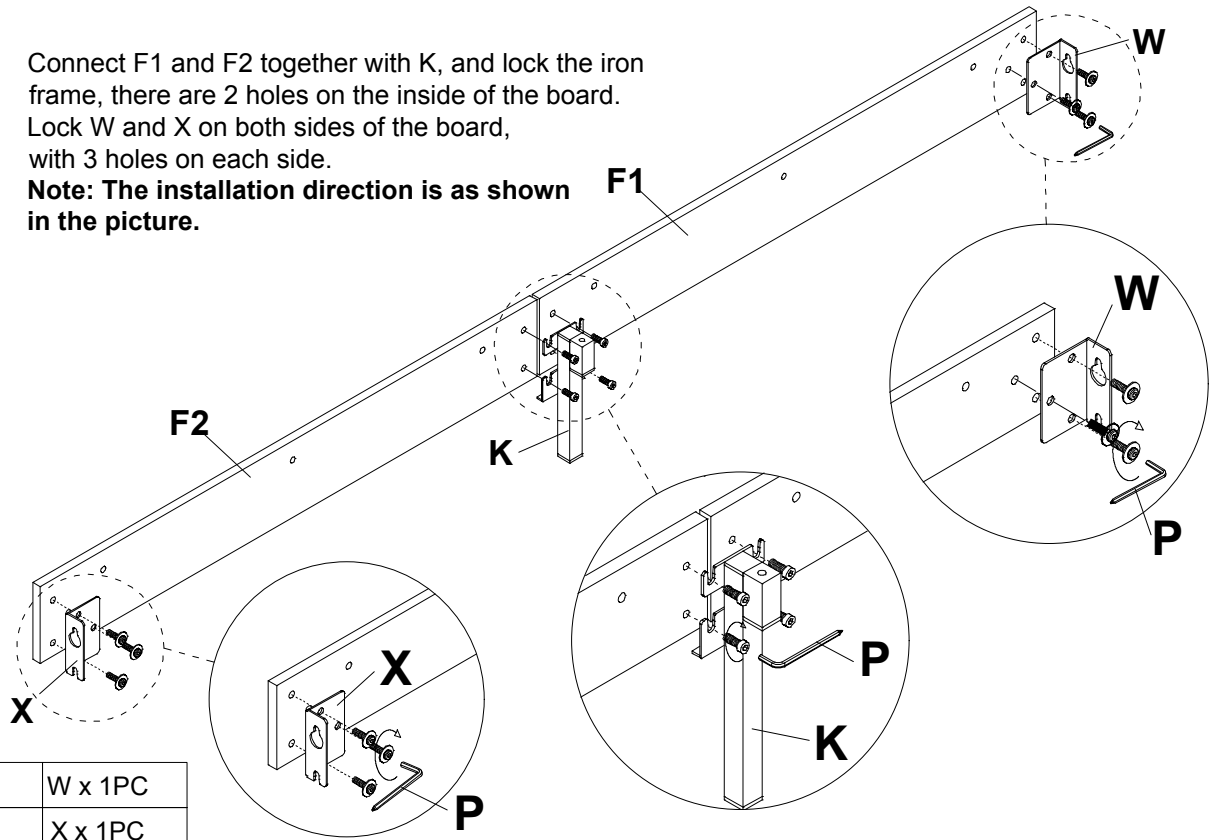
STEP 2



STEP 3

Connect F1 and F2 together with K, and lock the iron frame, there are 2 holes on the inside of the board.
Lock W and X on both sides of the board, with 3 holes on each side.

Note: The installation direction is as shown in the picture.

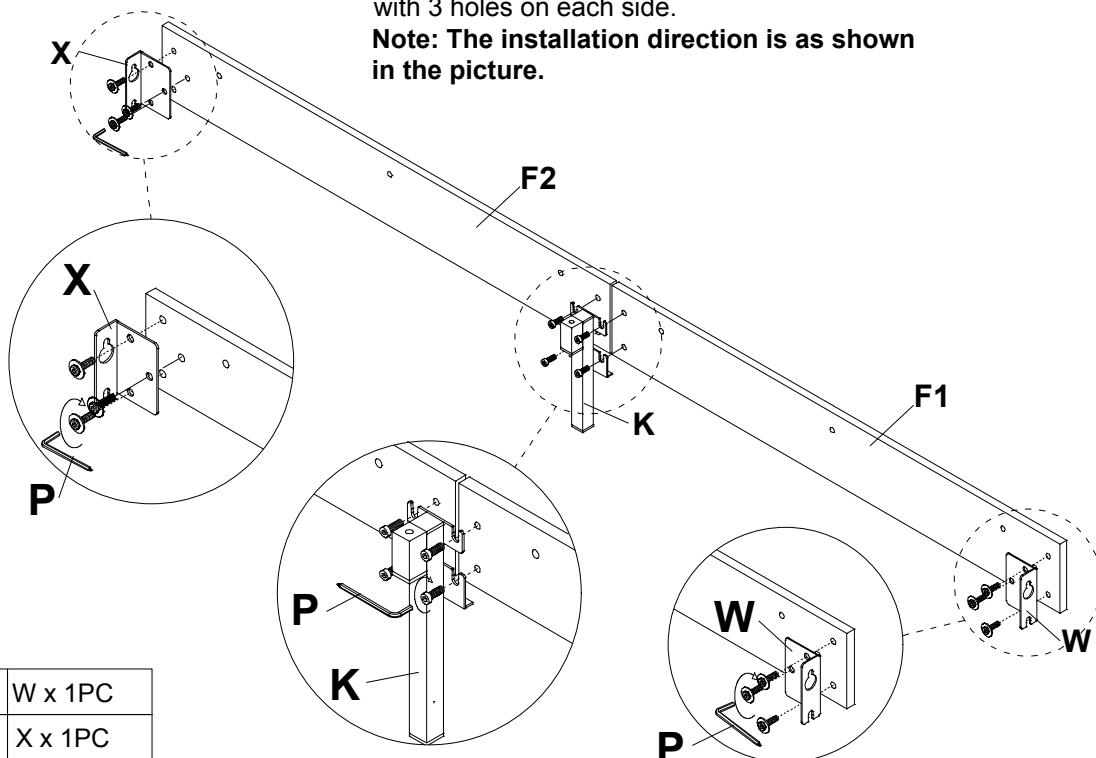


	W x 1PC
	X x 1PC
	P x 1PC

STEP 4

Connect F1 and F2 together with K, and lock the iron frame, there are 2 holes on the inside of the board.
Lock W and X on both sides of the board, with 3 holes on each side.

Note: The installation direction is as shown in the picture.

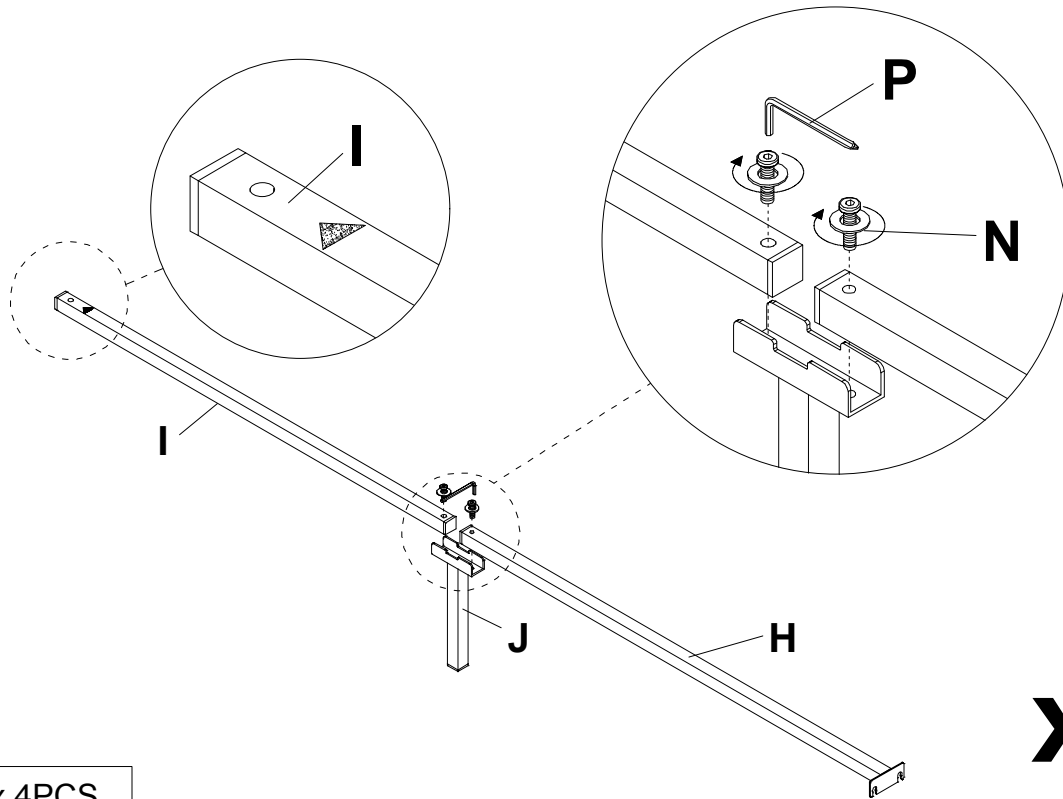


	W x 1PC
	X x 1PC
	P x 1PC



Assembly Steps(EN) / Montageschritte(DE)

STEP 5

Noted that the red arrow is pointing towards the front.

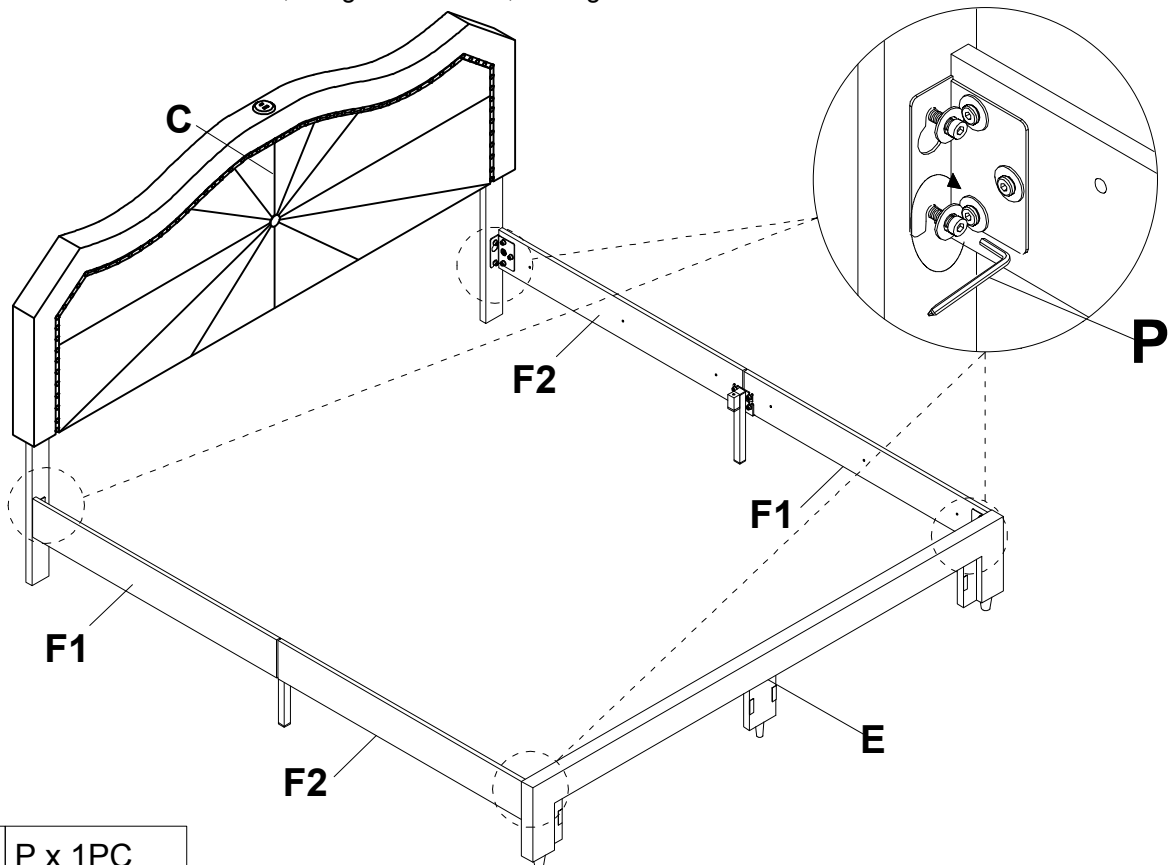


x2

	N x 4PCS
	P x 1PC

STEP 6

Loosen the screws on the side legs of the headboard and footboard, hang the brackets, and tighten the inner screws.

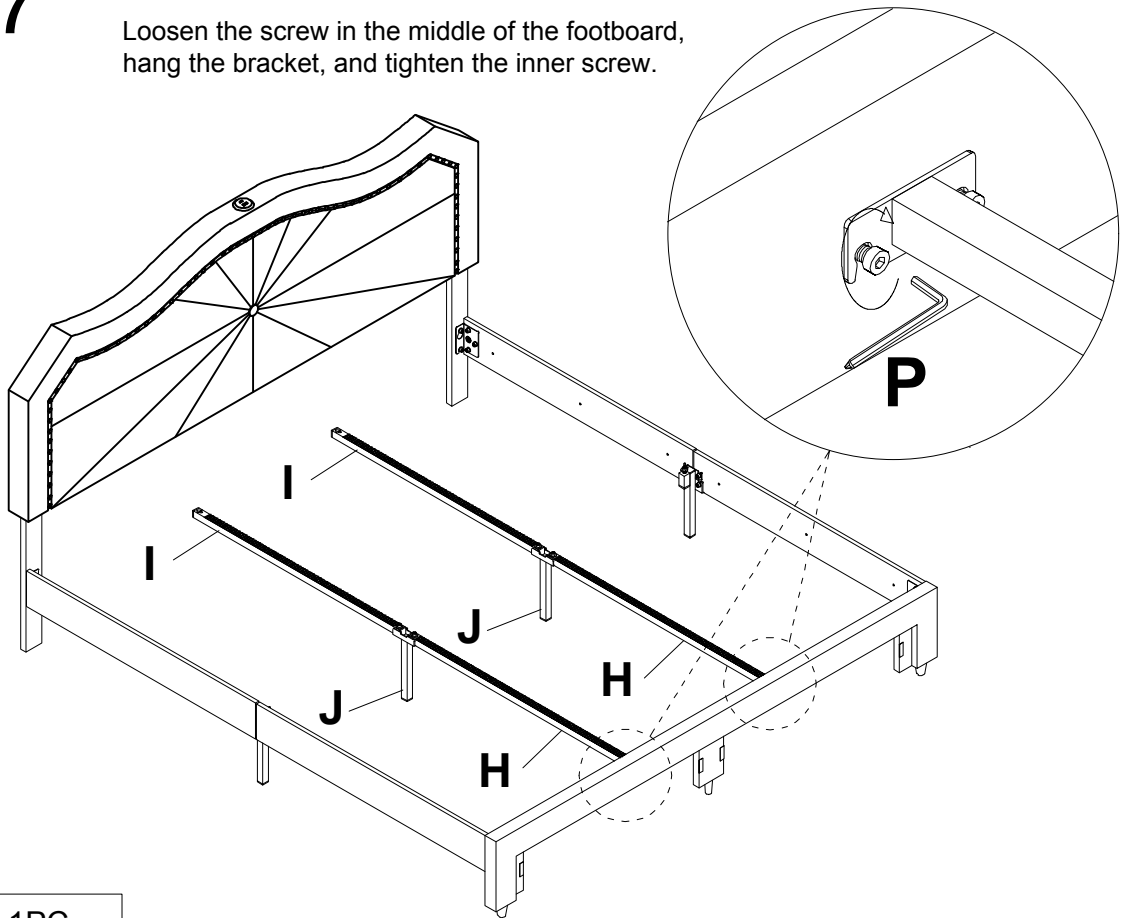


	P x 1PC
---	---------

Assembly Steps(EN) / Montageschritte(DE)

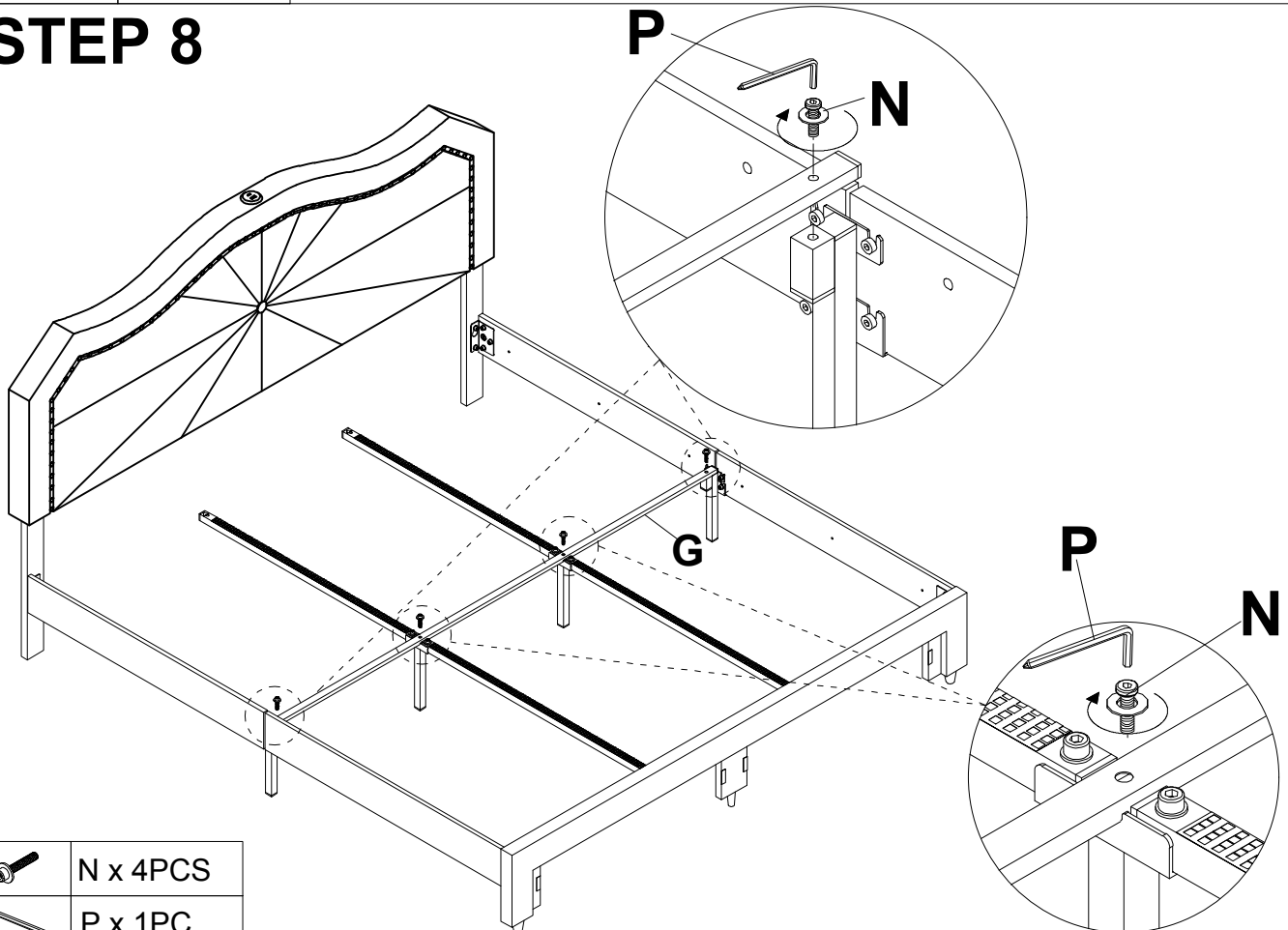
STEP 7

Loosen the screw in the middle of the footboard, hang the bracket, and tighten the inner screw.



P x 1PC

STEP 8



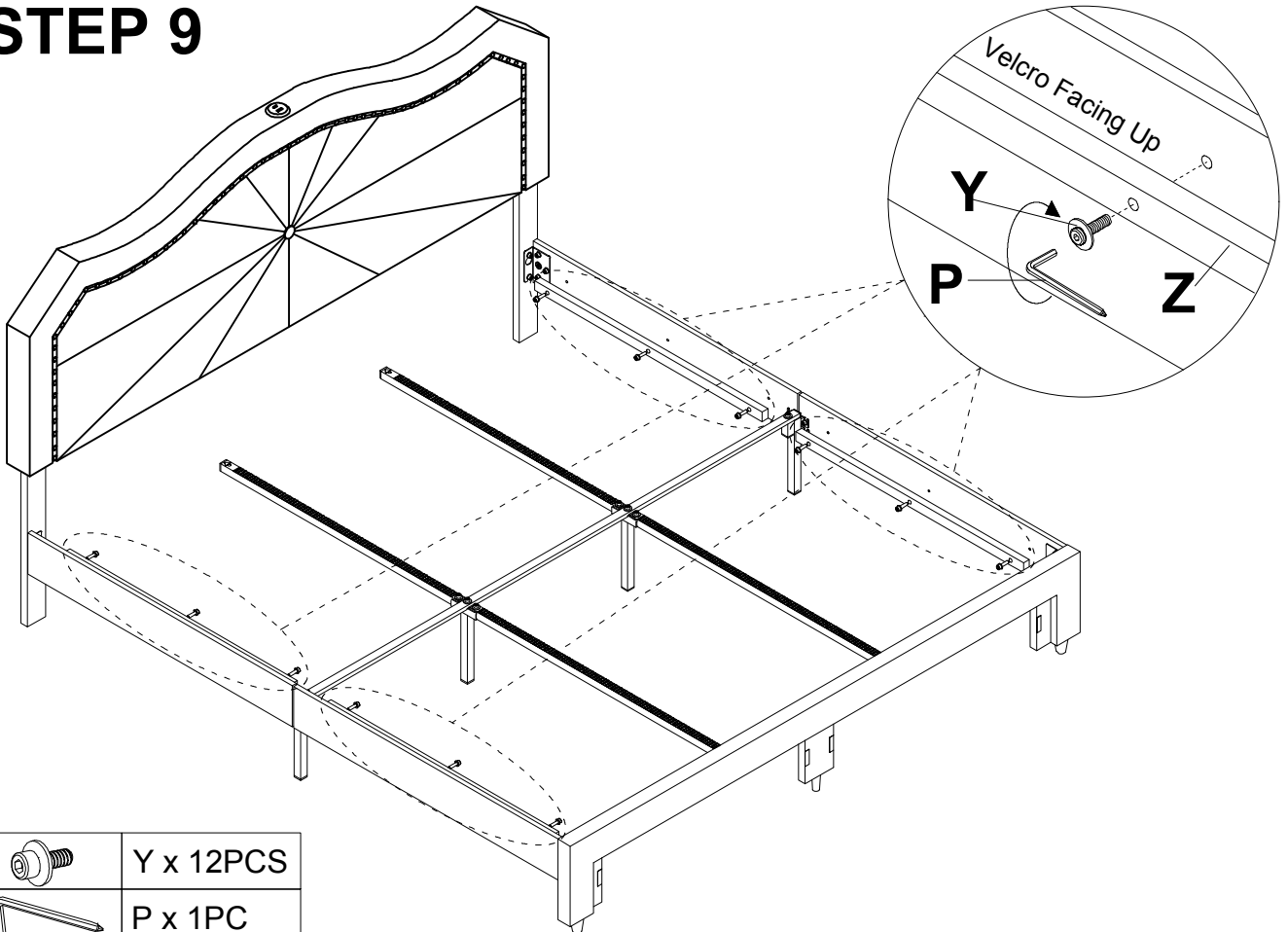
N x 4PCS



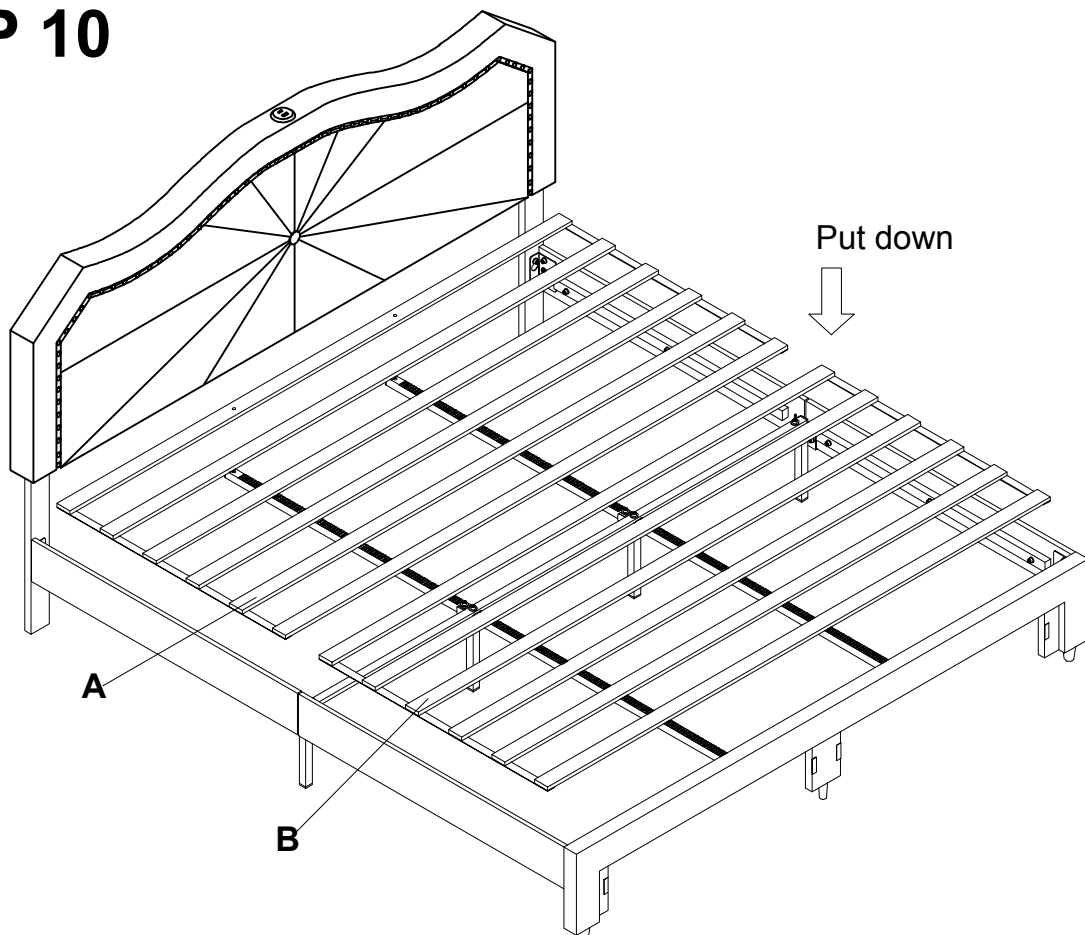
P x 1PC

Assembly Steps(EN) / Montageschritte(DE)

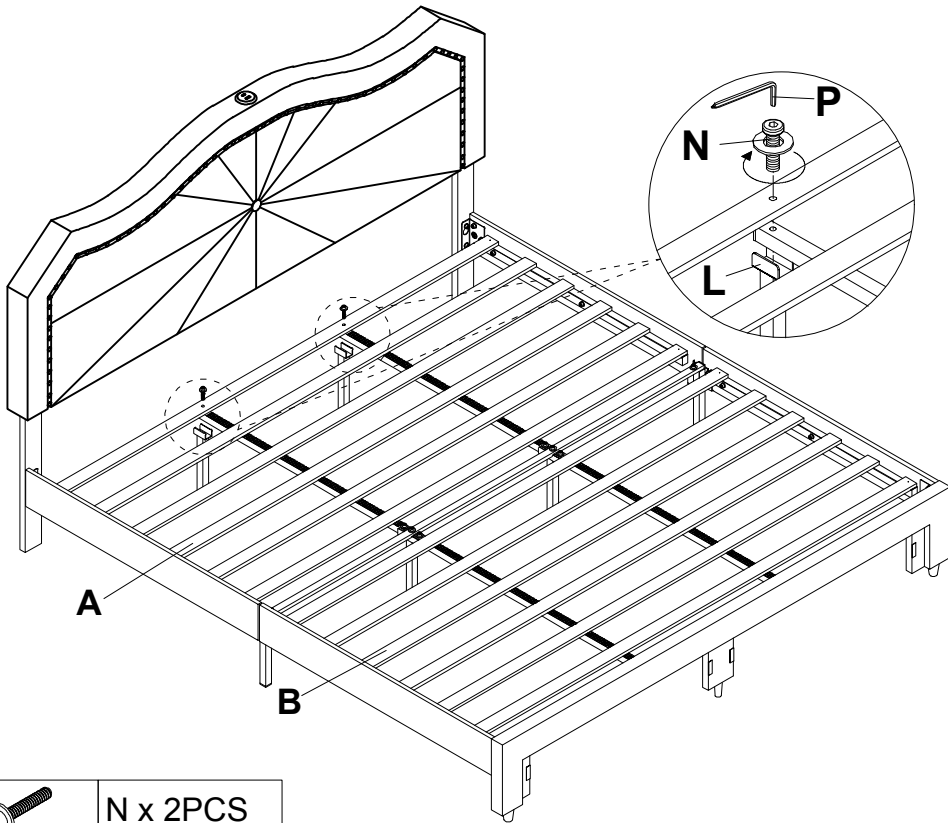
STEP 9

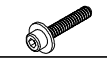



STEP 10

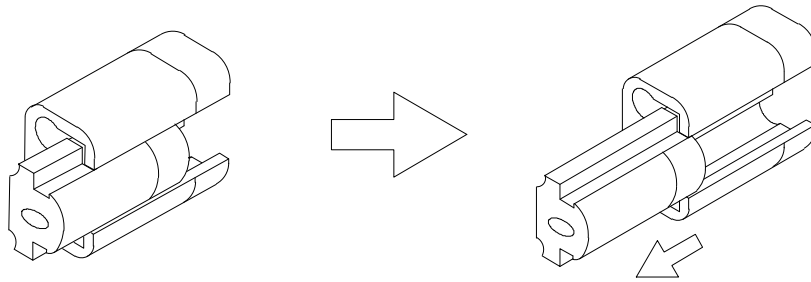


STEP 11

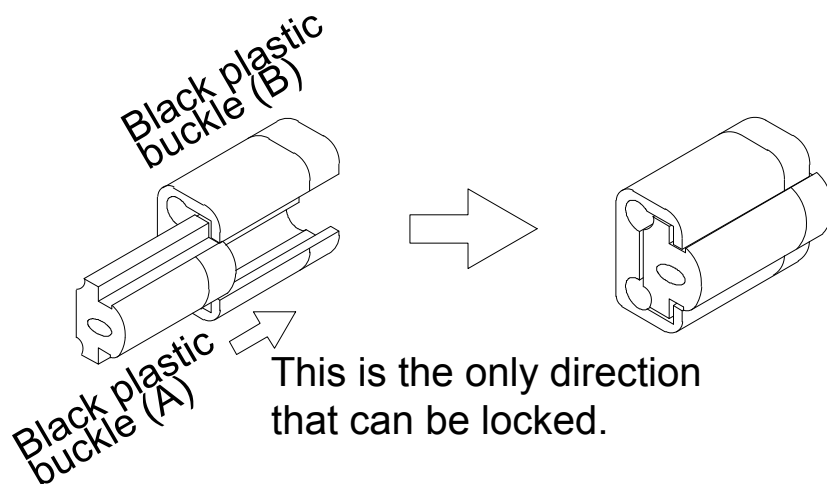


	N x 2PCS
	P x 1PC

STEP 12

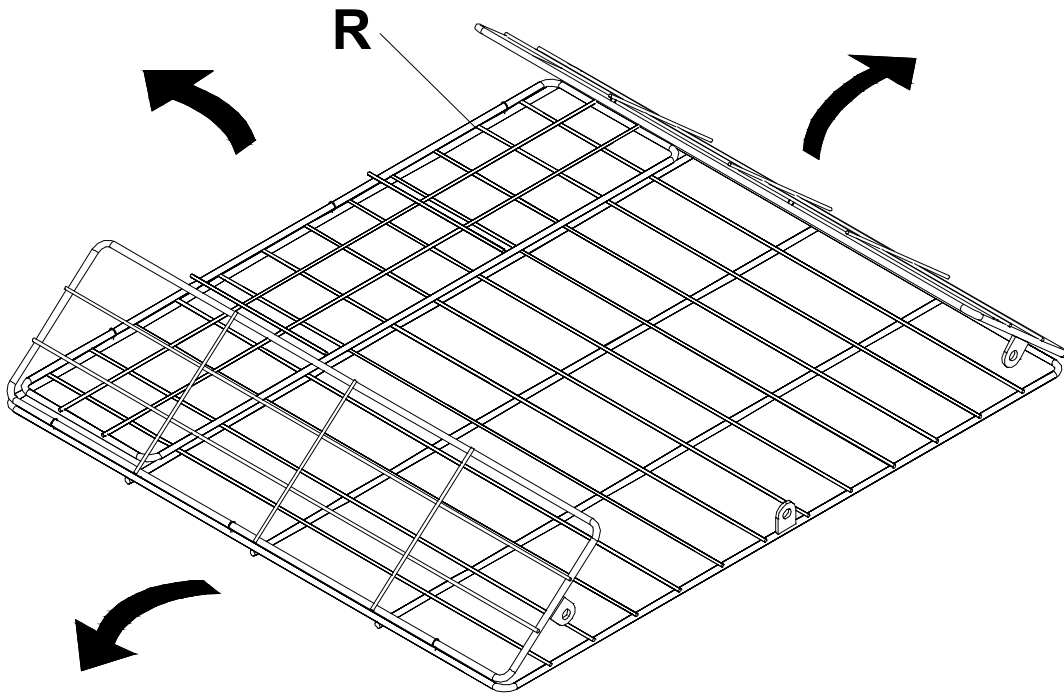


You can pull the buckle out by following the direction indicated by the arrow



STEP 13

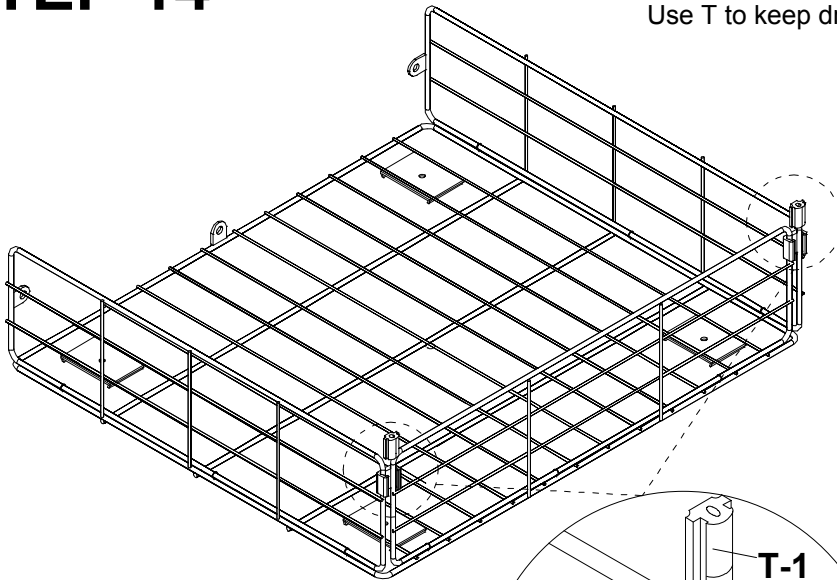
Unfold the drawer sides



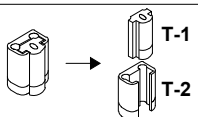
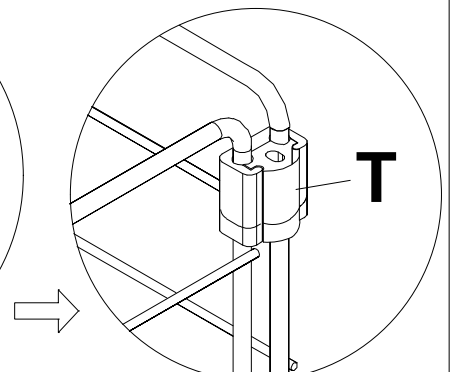
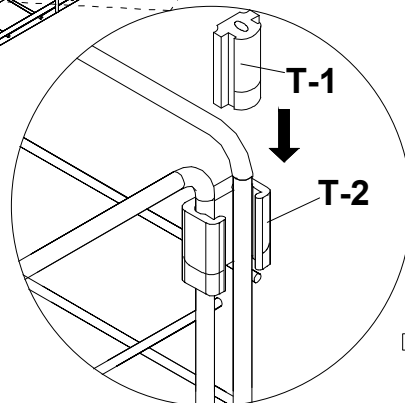
x2

STEP 14

Use T to keep drawer sides in place



x2

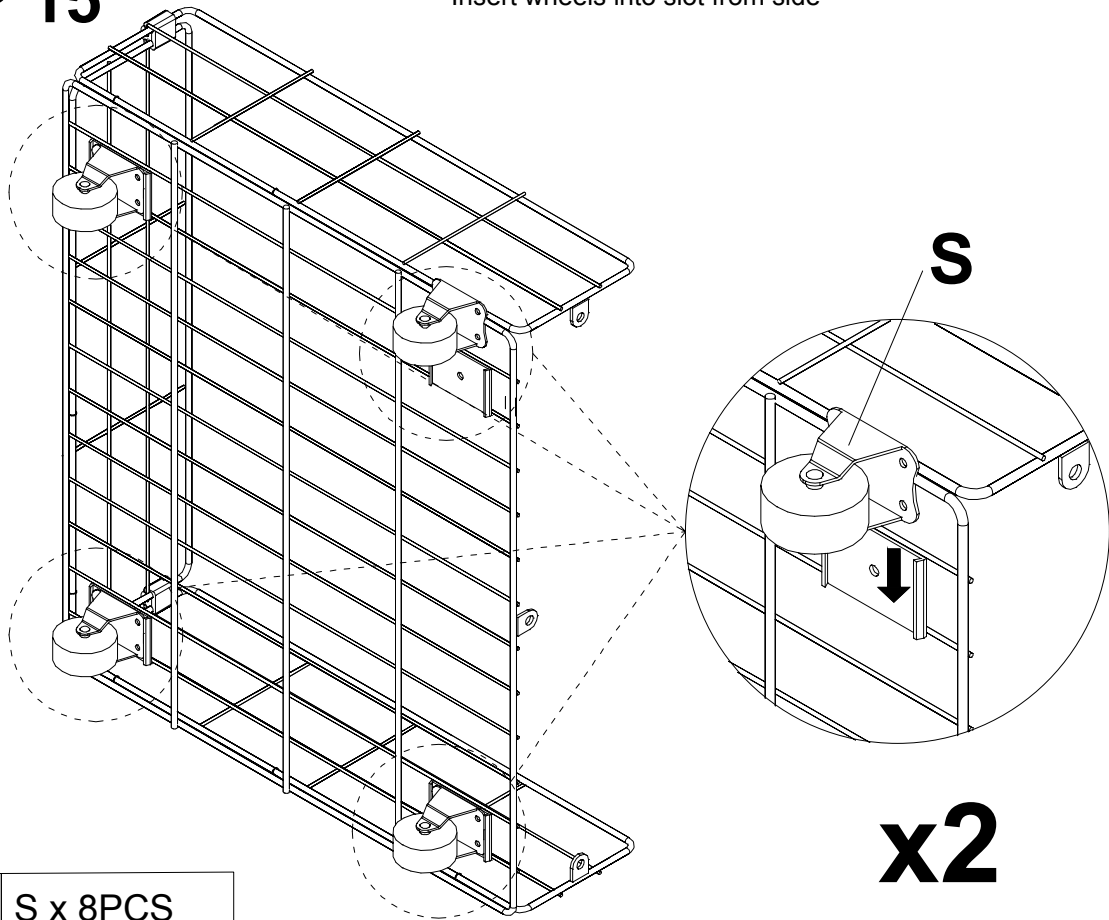


T x 4PCS

Assembly Steps(EN) / Montageschritte(DE)

STEP 15

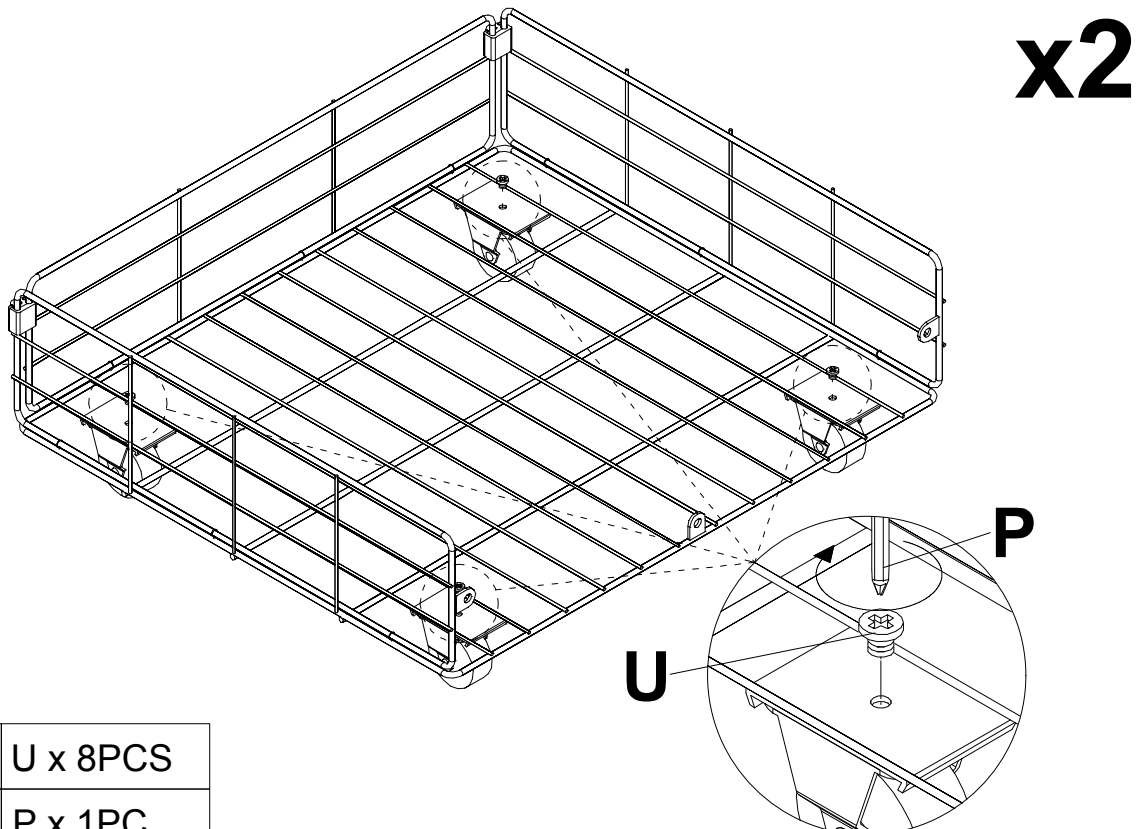
Insert wheels into slot from side



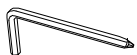
S x 8PCS

STEP 16

Secure the wheels with screws U

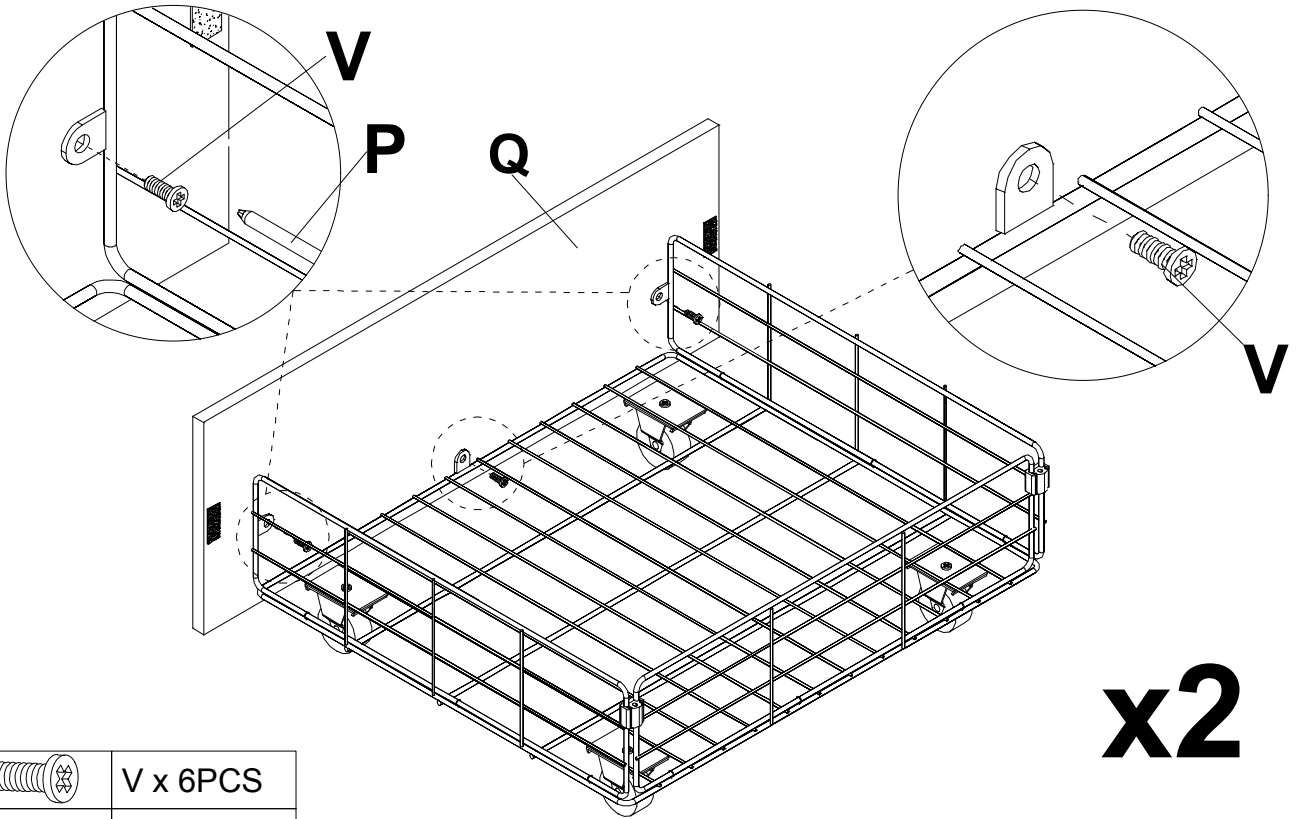




U x 8PCS



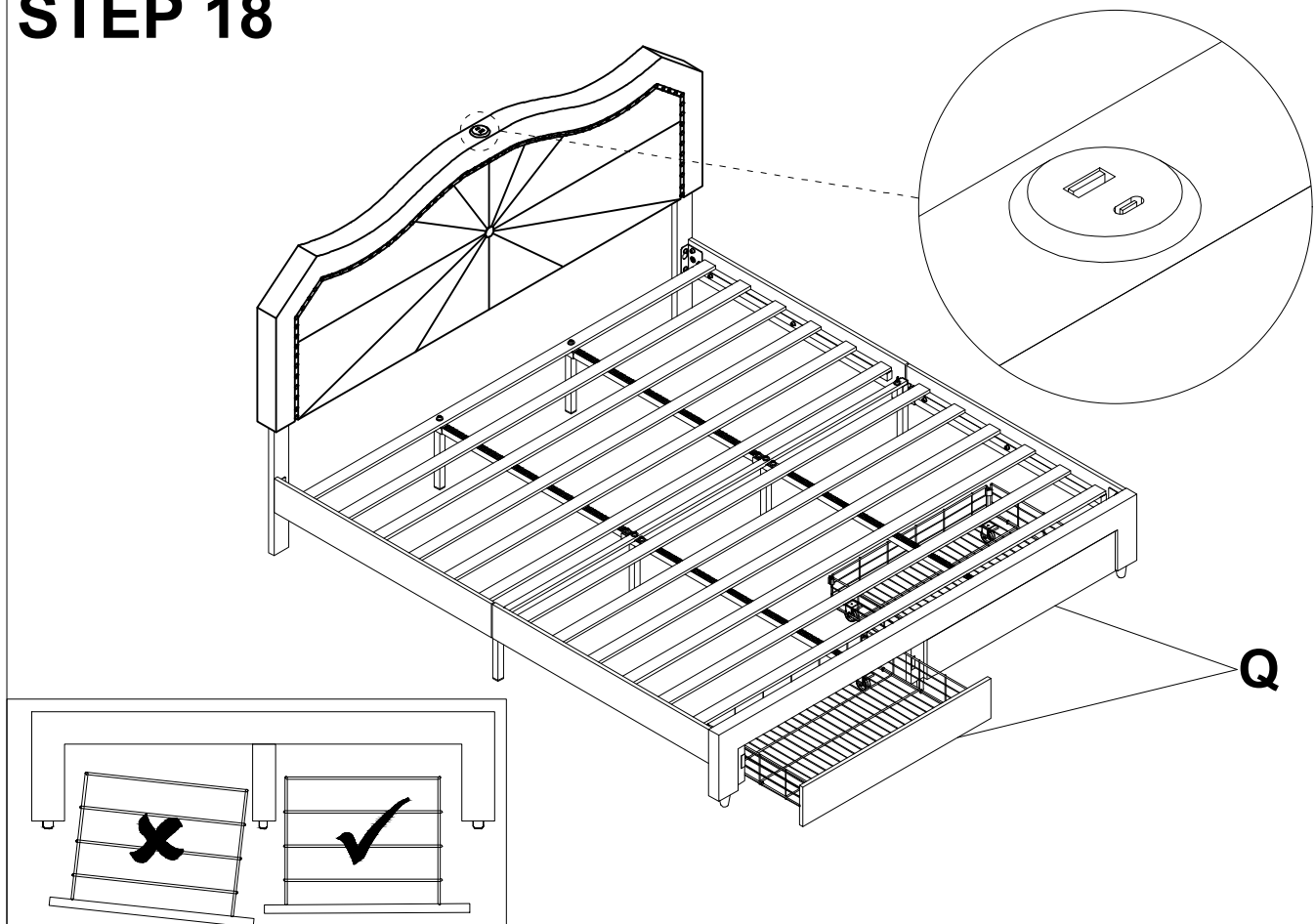
P x 1PC

STEP 17



	V x 6PCS
	P x 1PC

STEP 18



22185 KING PLATFORM BED SIZE

